



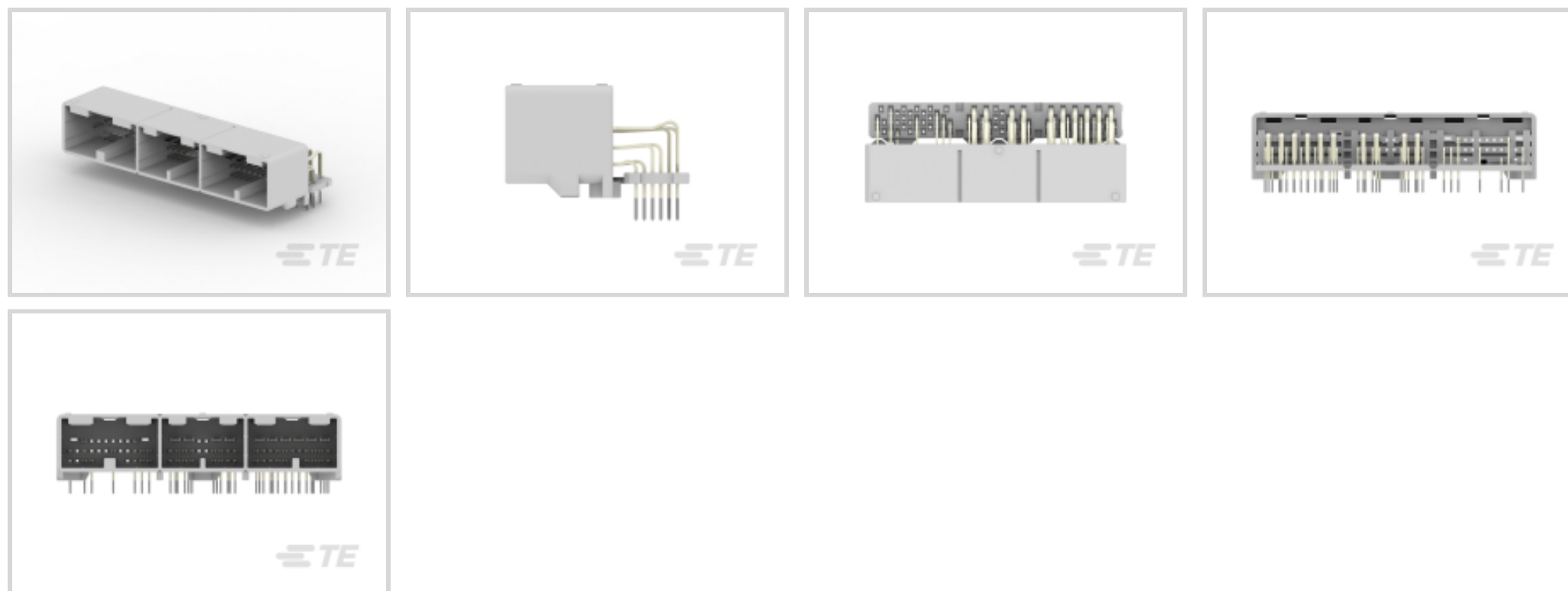
0.64/025 Connector System

TE Internal #: 2-1318751-0

TE Internal Description: 025/090 56POS CAP ASSY H TIN

High Pin Count Header

[View on TE.com >](#)



All High Pin Count Header (64)

Product Compliance

[For compliance documentation, visit the product page on TE.com>](#)

EU RoHS Directive 2011/65/EU	Compliant
EU ELV Directive 2000/53/EC	Compliant
China RoHS 2 Directive MIIT Order No 32, 2016	No Restricted Materials Above Threshold
EU REACH Regulation (EC) No. 1907/2006	Current ECHA Candidate List: JUNE 2024 (241) Candidate List Declared Against: JAN 2024 (240) Does not contain REACH SVHC
Halogen Content	Low Halogen - Br, Cl, F, I < 900 ppm per homogenous material. Also BFR/CFR/PVC Free
Solder Process Capability	Wave solder capable to 240°C

Product Compliance Disclaimer

This information is provided based on reasonable inquiry of our suppliers and represents our current actual knowledge based on the information they provided. This information is subject to change. The part numbers that TE has identified as EU RoHS compliant have a maximum concentration of 0.1% by weight in homogenous materials for lead, hexavalent chromium, mercury, PBB, PBDE, DBP, BBP, DEHP, DIBP, and 0.01% for cadmium, or qualify for an exemption to these limits as defined in the Annexes of Directive 2011/65/EU (RoHS2). Finished electrical and electronic equipment products will be CE marked as required by Directive 2011/65/EU. Components may not be CE marked. Additionally, the part numbers that TE has identified as EU ELV compliant have a maximum concentration of 0.1% by weight in homogenous materials for lead, hexavalent chromium, and mercury, and 0.01% for cadmium, or qualify for an exemption to these limits as defined in the Annexes of Directive 2000/53/EC (ELV). Regarding the REACH Regulation, the information TE provides on SVHC in articles for this part number is based on the latest European Chemicals Agency (ECHA) 'Guidance on requirements for substances in articles' posted at this URL: <https://echa.europa.eu/guidance-documents/guidance-on-reach>

Compatible Parts

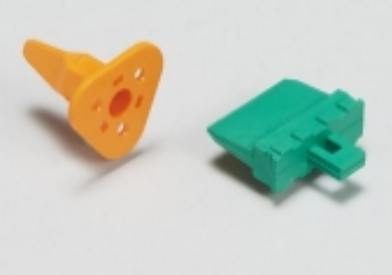


TE Part # CAT-T319-CH8172
TH/.025 CONNECTOR SYSTEM,
HOUSING


Also in the Series | 0.64/025 Connector System



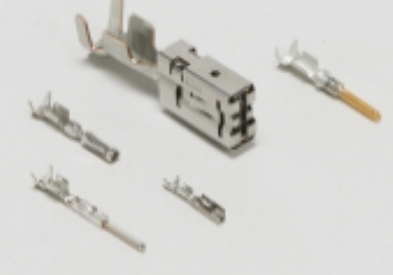
Automotive Connector Caps & Covers
(5)




Automotive Connector Locks &
Position Assurance(1)




Automotive Housings(127)



Automotive Terminals(16)



Connector Seals & Cavity Plugs(1)



Other Automotive Connector
Accessories(4)



PCB Headers & Receptacles(158)

Customers Also Bought



TE Part #776262-5
14POS,PIN DIA 1.3,HDR ASSY,
180DEG,COD 5



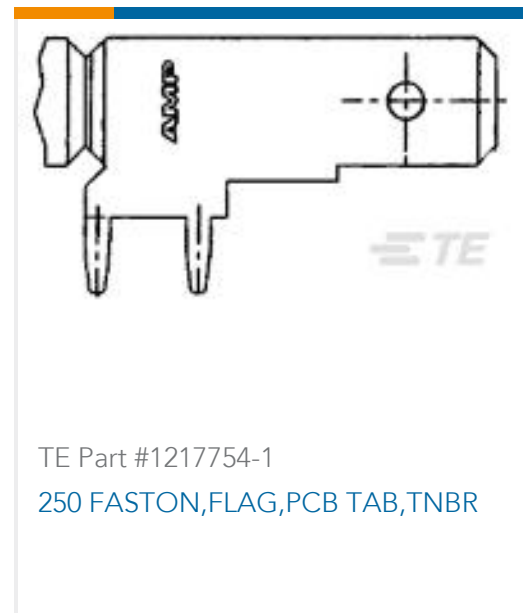
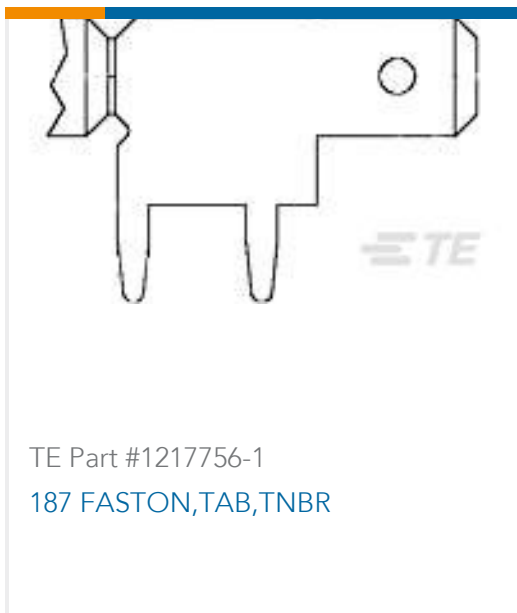
TE Part #6-534206-7
34 MODII VRT DR CE 100/115



TE Part #4-1437658-5
8PCV-12-006=#8 TRIBARRIER TERM



TE Part #63849-1
250 FASTON TAB TPBR



Documents

Product Drawings

025/090 56POS CAP ASSY H TIN

English

CAD Files

Customer View Model

[ENG_CVM_CVM_2-1318751-0_J1.3d_igs.zip](#)

English

Customer View Model

[ENG_CVM_CVM_2-1318751-0_J1.3d_stp.zip](#)

English

3D PDF

3D

Customer View Model

[ENG_CVM_CVM_2-1318751-0_J1.2d_dxf.zip](#)

English

By downloading the CAD file I accept and agree to the [Terms and Conditions](#) of use.

Product Specifications

[Crimping of 025 Receptacle Contact](#)

Japanese

[Application Specification](#)

Japanese