



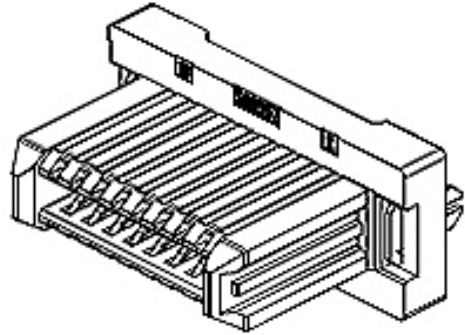
**Part Number :** [5035571600](#)

**Product Description :** 2.00mm (.079") Pitch Wire-to-Board PCB Receptacle, Through Hole, Dual Row, Vertical, With Floating Feature for Blind Mating, 16 Circuits

**Series Number :** 503557

**Status :** New Business Not Supported

**Product Category :** PCB Headers and Receptacles




---

## Documents & Resources

---

### Product Environment Compliance

#### Compliance

GADSL/IMDS	Compliant with Exemption 44; 33
China RoHS	
EU ELV	Not Relevant
Low-Halogen Status	Not Low-Halogen per IEC 61249-2-21
REACH SVHC	Not Contained per D(2024)6225-DC (07 Nov 2024)
EU RoHS	Compliant per EU 2015/863

#### Multiple Part Product Compliance Statements

- Eu RoHS
- REACH SVHC
- Low-Halogen

#### Multiple Part Industry Compliance Documents

- IPC 1752A Class C
- IPC 1752A Class D
- Molex Product Compliance Declaration
- IEC-62474
- chemSHERPA (xml)

#### EU RoHS Certificate of Compliance

---

### Part Details

## General

Status	New Business Not Supported
Category	PCB Headers and Receptacles
Series	503557
Description	2.00mm (.079") Pitch Wire-to-Board PCB Receptacle, Through Hole, Dual Row, Vertical, With Floating Feature for Blind Mating, 16 Circuits
Series Name	0.80 Floating
Application	Wire-to-Board
Component Type	PCB Receptacle
Product Name	N/A
UPC	884982144170

## Electrical

Current - Maximum per Contact	2.0A
Voltage - Maximum	125V

## Physical

Circuits (Loaded)	16
Circuits (maximum)	16
Color - Resin	Black
Durability (mating cycles max)	100
Glow-Wire Capable	No
Guide to Mating Part	Yes
Lock to Mating Part	Yes
Material - Plating Mating	Gold
Material - Plating Termination	Tin
Material - Resin	Polyester
Net Weight	3993.840/mg
Number of Rows	2
Orientation	Vertical
Packaging Type	Tray
PC Tail Length	3.00mm
PCB Retention	Yes

PCB Thickness - Recommended	1.60mm
Pitch - Mating Interface	2.00mm
Polarized to PCB	Yes
(p)ower-(s)ignal Configuration	16s - 0p
Temperature Range - Operating	-40° to +85°C
Termination Interface Style	Through Hole

---

---

This document was generated on Feb 13, 2025