

D

C

B

A

4

3

2

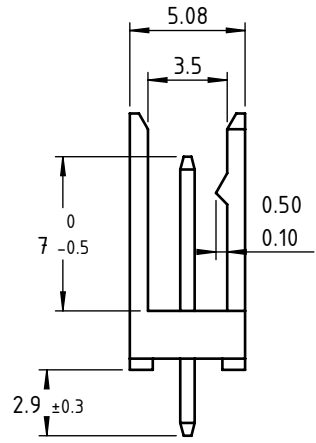
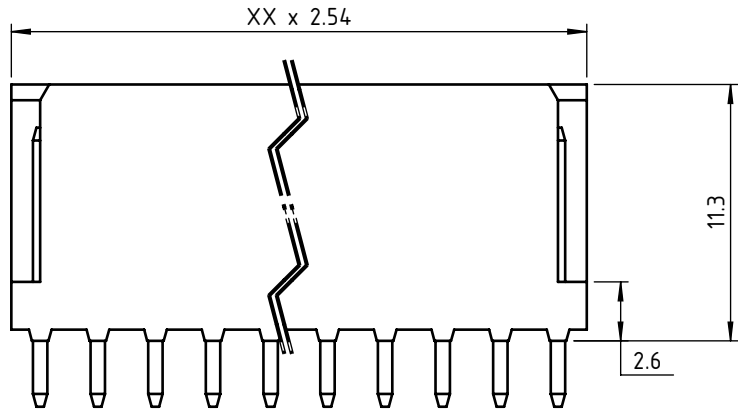
1

4

3

2

1



TECHNICAL DATA

INSULATOR

Glass filled plastic UL94 V0



PLATING

Z = 1 Tin plated (thickness : Ni 1.25µ mini. + Sn 3µ mini.)
 Z = 4 Gold plated (thickness : Ni 1.25µ mini. + Flash Au 0.1µ)

MECHANICAL SPECIFICATIONS

Mechanical endurance :
 50 operations with tin plated
 500 operations with gold plated

Insertion Force :
 3 N max. with tin plated
 1.5 N max. with gold plated

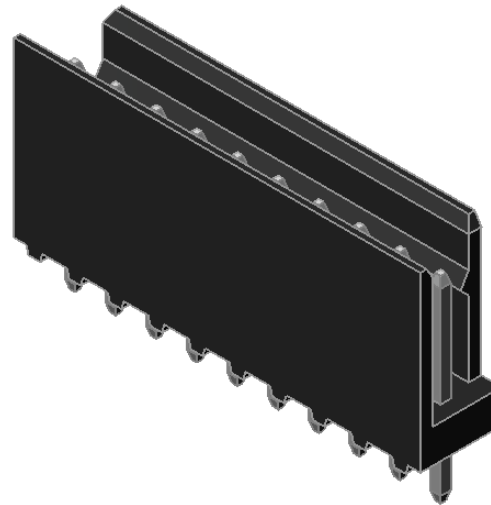
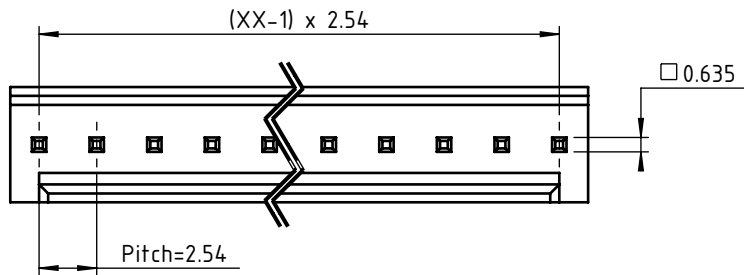
ELECTRICAL SPECIFICATIONS

Contact resistance : 20mΩ max.
 AC current rating per contact 3A
 Min. withstanding voltage 500V RMS
 Min. insulator resistance 1000 MΩ

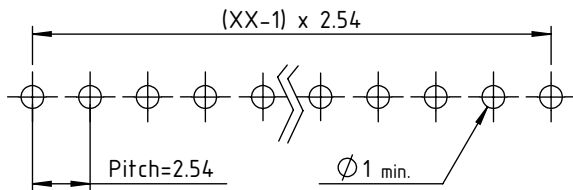
THERMAL SPECIFICATIONS

Connectors operating temperature : -40°C to +150°C

XX : Number of pins : 02 to 20



PCB layout recommended :



 www.nicomatic.com Mail : nicomatic@nicomatic.fr Tel : +33 (0)4.50.36.13.85	2	25/01/112	A.D.		A.V.
	Iss	Date	Drawn	Checked	Approved
Item : Walled header HE13-HE14 straight single row					

This document and drawings, sketches, and schematic drawings are the property of the NICOMATIC company, and no parts thereof may be reproduced and used without the written consent of the owner. Law dated 11.03.1902

Catalogue Reference : **1Y-10-1Z1-XX-1**

	General tolerance ±0.2	Scale 3:1	Page 1/1
--	------------------------	-----------	----------

D

A4