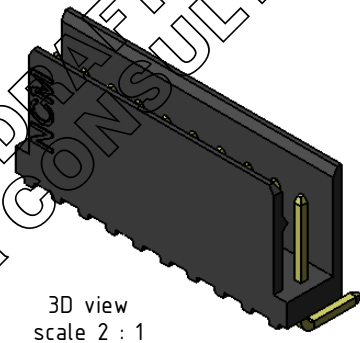
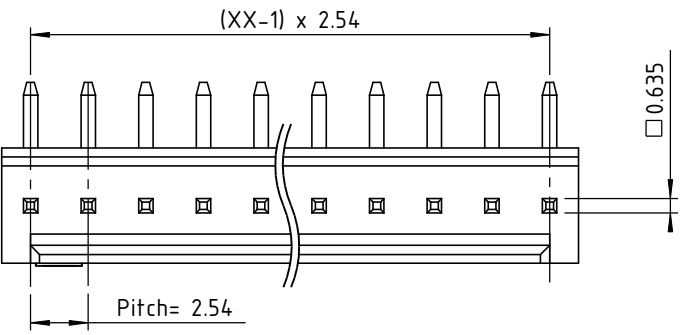
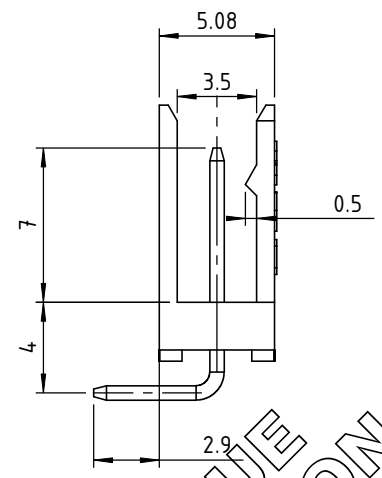
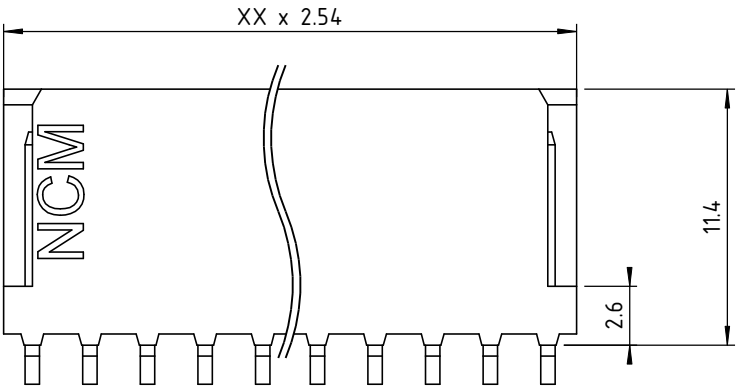
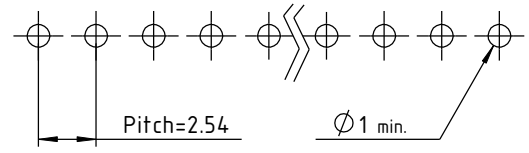


D C B A

4
3
2
1



PCB layout recommended :



TECHNICAL DATA

INSULATOR

Glass filled plastic UL94 V0



PLATING

Z = 1 Tin plated (thickness : Ni 1.25µ mini. + Sn 3µ mini.)
Z = 4 Gold plated (thickness : Ni 1.25µ mini. + Flash Au 0.1µ)

MECHANICAL SPECIFICATIONS

Mechanical endurance :
50 operations with tin plated
500 operations with gold plated

Insertion Force :
3 N max. with tin plated
1.5 N max. with gold plated

ELECTRICAL SPECIFICATIONS


Contact resistance : 20mΩ max.
AC current rating per contact 3A
Min. withstanding voltage 500V RMS
Min. insulator resistance 1000 MΩ

THERMAL SPECIFICATIONS

Connectors operating temperature : -40°C to +150°C


XX : Number of pins : 02 to 30

THIS IS A DRAFT ISSUE ONLY FOR CONSULTATION

 www.nicomatic.com Mail : nicomatic@nicomatic.fr Tel : +33 (0)4.50.36.13.85	2	21/01/09	C.G.	E.M.	D.Z.
	Iss	Date	Drawn	Checked	Approved
Item : Walled header HE13-HE14 right single row					

This document and drawings, sketches, and schematic drawings are the property of the NICOMATIC company, and no parts thereof may be reproduced and used without the written consent of the owner. Law dated 11.03.1902

Catalogue Reference : 1Y-10-2Z1-XX-1

	General tolerance ±0.1	Scale 3:1	Page 1/1
---	------------------------	-----------	----------

D C B A A4