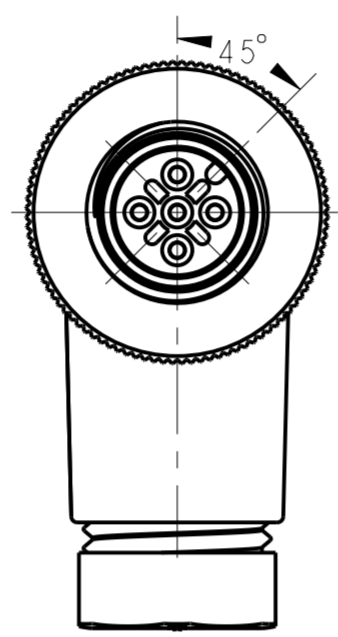


THIS DRAWING IS UNPUBLISHED. RELEASED FOR PUBLICATION 20
 © COPYRIGHT 20 BY - ALL RIGHTS RESERVED.

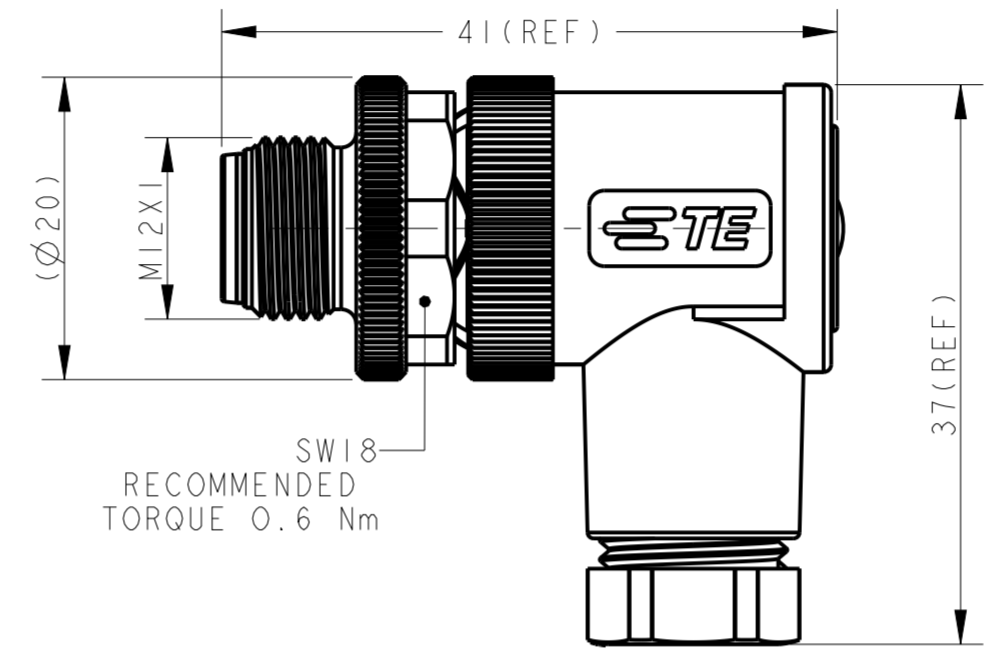
REVISIONS				
P	LTR	DESCRIPTION	DATE	APVD
A		INITIAL RELEASE	08JUN2021	BP CW

TECHNICAL DATA	T411300X02X-000	T411300X03X-000	T411300X04X-000	T411300X05X-000	T411300X08X-000
RATED VOLTAGE	250V	250V	250V	60V	30V
RATED CURRENT	4A	4A	4A	4A	2A
POLLUTION DEGREE	3	3	3	3	3
OVERVOLTAGE CATEGORY	II	II	II	II	II
MATERIAL GROUP	II	II	II	II	II
INSULATION RESISTANCE	>100MΩ	>100MΩ	>100MΩ	>100MΩ	>100MΩ
DEGREE OF PROTECTION	IP67	IP67	IP67	IP67	IP67
OPERATION TEMPERATURE	-40~85°C	-40~85°C	-40~85°C	-40~85°C	-40~85°C

- NOTE:
- MATERIAL:
 ITEM NO.1:NUT -BRASS
 ITEM NO.2:HOUSING -PA
 ITEM NO.3:CONTACT -BRASS
 ITEM NO.4: HOUSING BODY: -PBT+GF
 - CONTACT FINISH:
 GOLD OVER NICKEL OR SILVER OVER NICKEL
 - CABLE WIRES:
 18AWG/0.75mm² Max. FOR 2-5 PINS
 20AWG/0.50mm² Max. FOR 8 PINS
 - ALLDIMENSIONS ARE FOR NOMINAL REFERENCE ONLY UNLESS OTHERWISE STATED
 - PACKAGEING: 1PIECE IN A BAG
 - PN INFORMATION

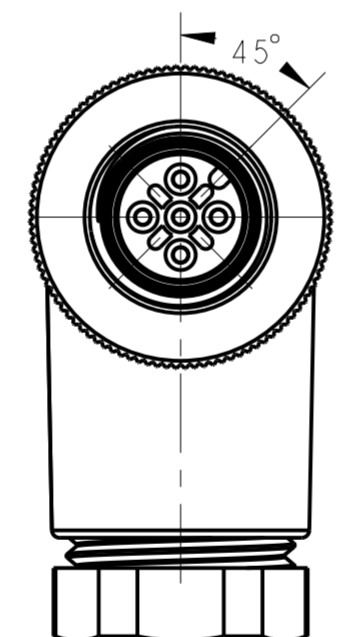


PG7

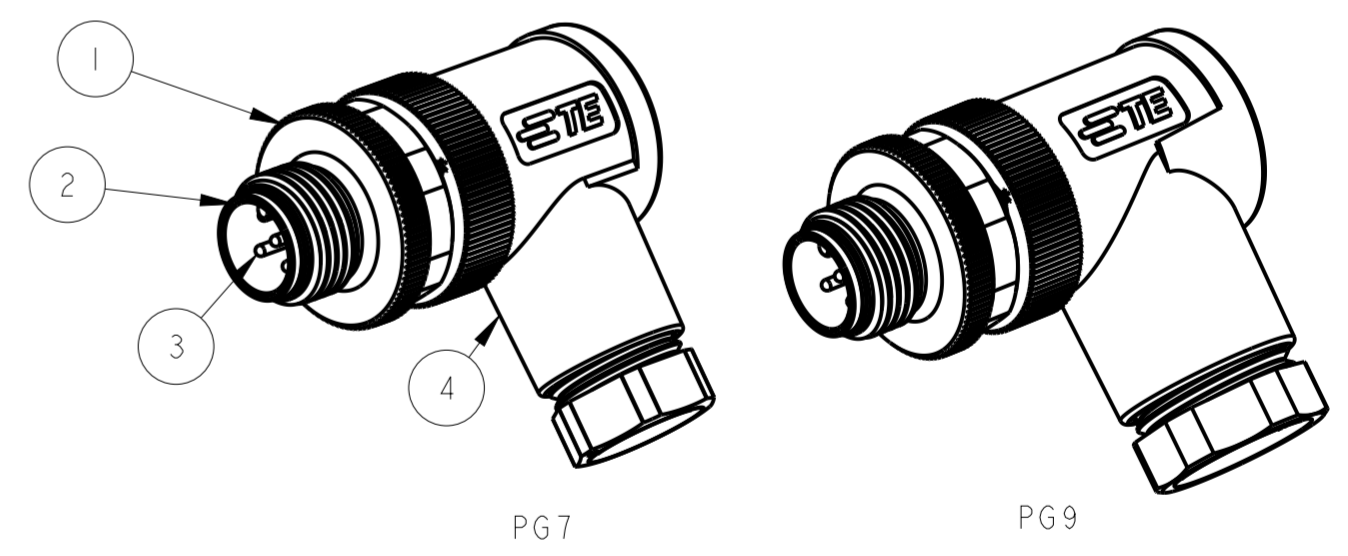
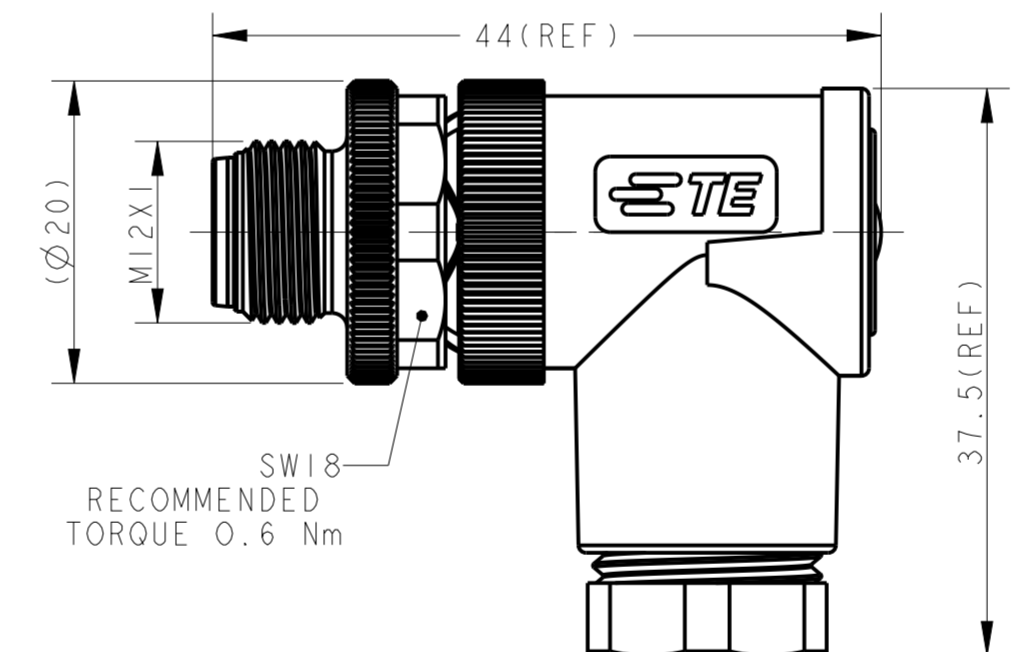


T411300XXX-000

- CONTACT FINISH:
 1: GOLD OVER NICKEL
 2: SILVER OVER NICKEL
- NUMBERS OF PINS:
 02: 2 PINS
 03: 3 PINS
 04: 4 PINS
 05: 5 PINS
 08: 8 PINS
- CABLE OUTLET:
 1: PG7(CABLE FEED: 4-6mm)
 2: PG9(CABLE FEED: 6-8mm)
- BRAND:
 T: W/ TE LOGO



PG9



PG7

PG9

PIN ARRANGEMENT A-CODE		
T411300X02X-000	T411300X03X-000	T411300X04X-000
T411300X05X-000	T411300208X-000	

M12-MR-4CON-PG7-MU	T4113001041-000	ISET310525R0000
M12-MR-5CON-PG7-MU	T4113001051-000	ISET310527R0000
M12-MR-4CON-PG9-MU	T4113002041-000	ISET310535R0000
M12-MR-5CON-PG9-MU	T4113002051-000	ISET310537R0000
M12-MR-8CON-PG9-MU	T4113002081-000	ISET310539R0000
DESCRIPTION	TE PN	ENTRELEC PN

THIS DRAWING IS A CONTROLLED DOCUMENT.

DIMENSIONS: mm	TOLERANCES UNLESS OTHERWISE SPECIFIED:	DWN: 08JUN2021 BLAZE PENG	ENTRELEC Electrical Solutions
	0 PLC ±0.2 1 PLC ±0.2 2 PLC ±0.2 3 PLC ± 4 PLC ± ANGLES ±2 FINISH	CHK: 08JUN2021 KEVIN HUANG	
MATERIAL		APVD: 08JUN2021 CHRIS WANG	
		APVD: 08JUN2021 CHRIS WANG	
Customer Drawing		PRODUCT SPEC: 108-106140	NAME: M12 MALE, A CODE, RA UNSHIELDED CONNECTOR SCREW TERMINAL
		APPLICATION SPEC: 114-137144	SIZE: A2
		WEIGHT: -	CAGE CODE: -
		SCALE: 2:1	DRAWING NO: G-ISET311F20R0000
		SHEET: 1 OF 1	RESTRICTED TO: -
		REV: A	