

Feed-through header - PCV 6-16/ 2-G1F-10,16 - 1998865

Please be informed that the data shown in this PDF Document is generated from our Online Catalog. Please find the complete data in the user's documentation. Our General Terms of Use for Downloads are valid (<http://phoenixcontact.com/download>)

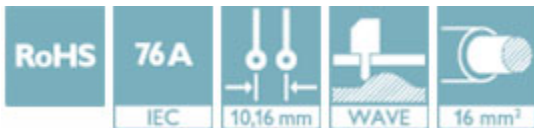


PCB headers, nominal current: 76 A, number of positions: 2, pitch: 10.16 mm, color: green, contact surface: Silver, mounting: Wave soldering

The figure shows a 5-pos. version of the product

Your advantages

- ✓ Well-known mounting principle allows worldwide use
- ✓ Screwable flange for superior mechanical stability
- ✓ Maximum flexibility when it comes to device design – one header for connectors with different connection technologies



Key Commercial Data

Packing unit	1 pc
Minimum order quantity	50 pc
GTIN	
GTIN	4046356038362
Weight per Piece (excluding packing)	14.530 g
Custom tariff number	85366930
Country of origin	Poland

Technical data

Dimensions

Length [l]	13.4 mm
Width	38.08 mm
Pitch	10.16 mm
Dimension a	10.16 mm

Feed-through header - PCV 6-16/ 2-G1F-10,16 - 1998865

Technical data

Dimensions

Width [w]	38.08 mm
Height [h]	34 mm
Height	38 mm
Length of the solder pin	4 mm
Pin dimensions	1 x 1.2 mm
Pin spacing	10.16 mm
Length	13.4 mm

General

Range of articles	PCV 6-16/..-G1F
Insulating material group	I
Rated surge voltage (III/3)	6 kV
Rated surge voltage (III/2)	8 kV
Rated surge voltage (II/2)	8 kV
Rated voltage (III/3)	1000 V
Rated voltage (III/2)	1000 V
Rated voltage (II/2)	1000 V
Connection in acc. with standard	EN-VDE
Nominal current I _N	76 A (41 A in combination with PC 6 plug)
Maximum load current	76 A (41 A in combination with PC 6 plug)
Insulating material	PA
Flammability rating according to UL 94	V0
Color	green
Number of positions	2

General information

Note	In accordance with IEC 61984, COMBICON connectors have no switching power (COC). During designated use, they must not be plugged in or disconnected when carrying voltage or under load.
------	--

Standards and Regulations

Connection in acc. with standard	EN-VDE
	CUL
Flammability rating according to UL 94	V0

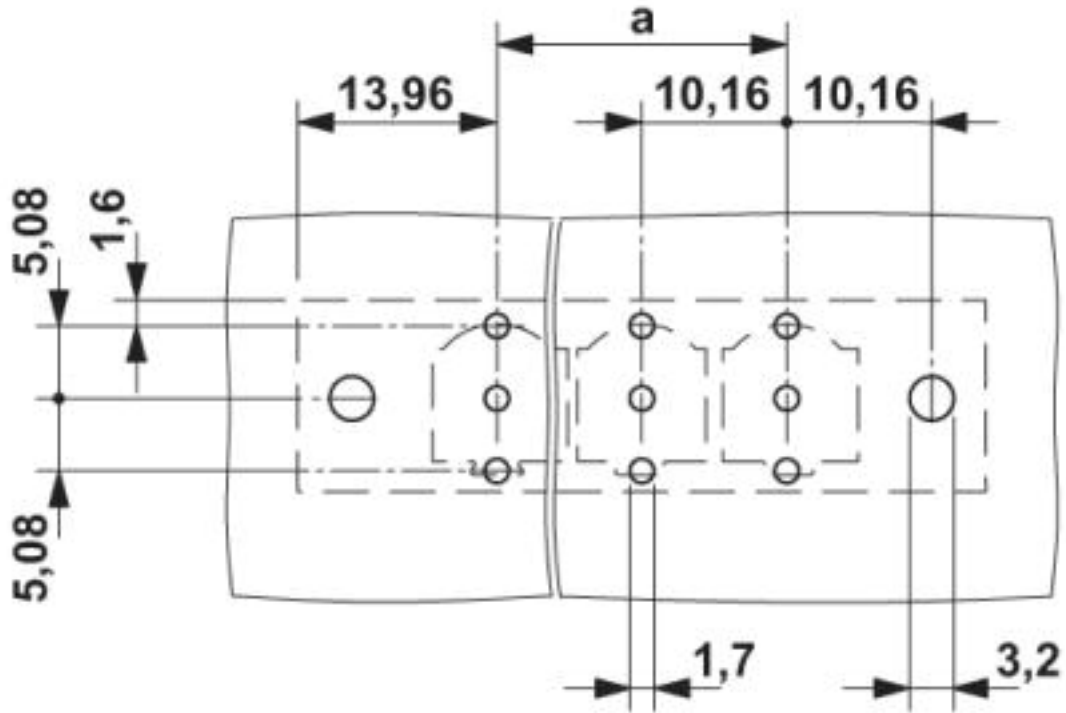
Environmental Product Compliance

China RoHS	Environmentally friendly use period: unlimited = EFUP-e
	No hazardous substances above threshold values

Drawings

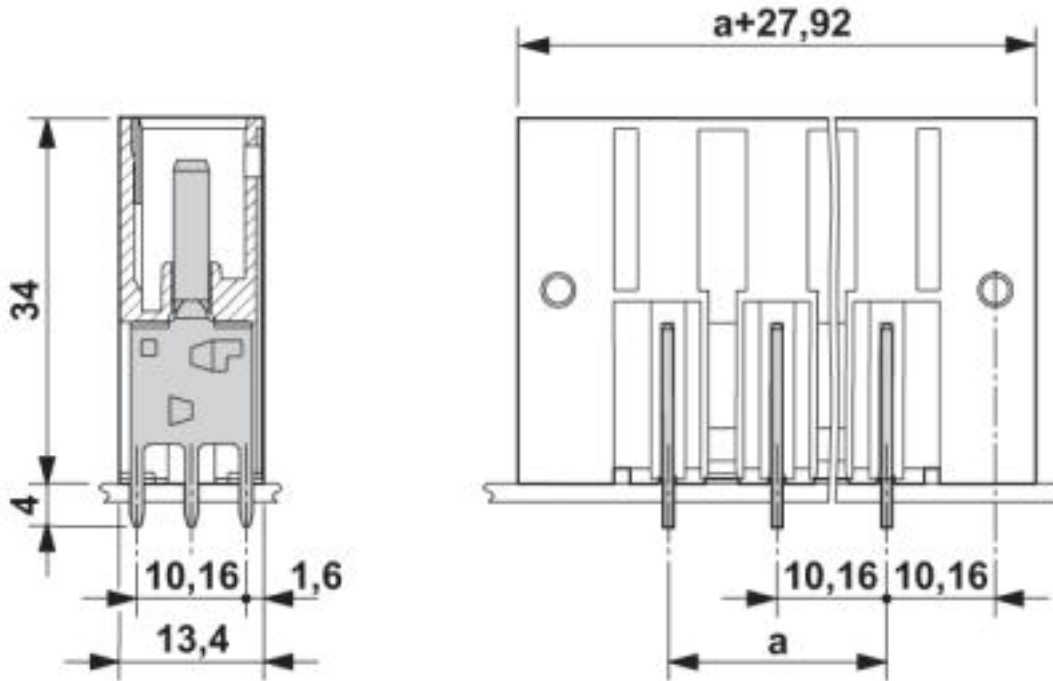
Feed-through header - PCV 6-16/ 2-G1F-10,16 - 1998865

Drilling diagram



Feed-through header - PCV 6-16/ 2-G1F-10,16 - 1998865

Dimensional drawing



Classifications

eCl@ss

eCl@ss 4.0	27260700
eCl@ss 4.1	27260700
eCl@ss 5.0	27260700
eCl@ss 5.1	27260700
eCl@ss 6.0	27260700
eCl@ss 7.0	27440402
eCl@ss 8.0	27440402
eCl@ss 9.0	27440402

ETIM

ETIM 3.0	EC001121
ETIM 4.0	EC002637
ETIM 5.0	EC002637
ETIM 6.0	EC002637
ETIM 7.0	EC002637

Feed-through header - PCV 6-16/ 2-G1F-10,16 - 1998865

Classifications

UNSPSC

UNSPSC 6.01	30211810
UNSPSC 7.0901	39121409
UNSPSC 11	39121409
UNSPSC 12.01	39121409
UNSPSC 13.2	39121409

Approvals


Approvals


Approvals


IECEE CB Scheme / SEV / EAC / cULus Recognized

Ex Approvals

Approval details

IECEE CB Scheme		http://www.iecee.org/	CH-8077
Nominal voltage UN		1000 V	
Nominal current IN		76 A	

SEV		https://www.electrosuisse.ch/de/meta/shop/produktezertifikate.html	IK-3431
Nominal voltage UN		1000 V	
Nominal current IN		76 A	

EAC		B.01742	
-----	---	---------	--

Feed-through header - PCV 6-16/ 2-G1F-10,16 - 1998865

Approvals

cULus Recognized		http://database.ul.com/cgi-bin/XYV/template/LISEXT/1FRAME/index.htm	E60425-20040202
	B	C	D
Nominal voltage UN	300 V	300 V	600 V
Nominal current IN	66 A	66 A	5 A

Accessories

Accessories

Coding element

Coding profile - CP-PC RD - 1701967



Coding profile, for plugging into the coding ribs of the plug at a later date, insulating material, color: Red

Mounting material

Accessories - DFK-PC 16-SS - 1705449



Screw set for DFK-PC 16... connectors

Additional products

Printed-circuit board connector - SPC 16/ 2-STF-10,16 - 1711378



PCB connector, nominal current: 76 A, number of positions: 2, pitch: 10.16 mm, connection method: Push-in spring connection, color: green, contact surface: Silver

Feed-through header - PCV 6-16/ 2-G1F-10,16 - 1998865

Accessories

Printed-circuit board connector - TPC 16/ 2-STF-10,16 - 1715251



PCB connector, nominal current: 76 A, number of positions: 2, pitch: 10.16 mm, connection method: Screw connection with tension sleeve, color: green, contact surface: Silver

Printed-circuit board connector - PC 6/ 2-STF-10,16 - 1913578



PCB connector, nominal current: 41 A, number of positions: 2, pitch: 10.16 mm, connection method: Screw connection with tension sleeve, color: green, contact surface: Silver

Printed-circuit board connector - PC 16/ 2-STF-10,16 - 1967456



PCB connector, nominal current: 76 A, number of positions: 2, pitch: 10.16 mm, connection method: Screw connection with tension sleeve, color: green, contact surface: Silver
