



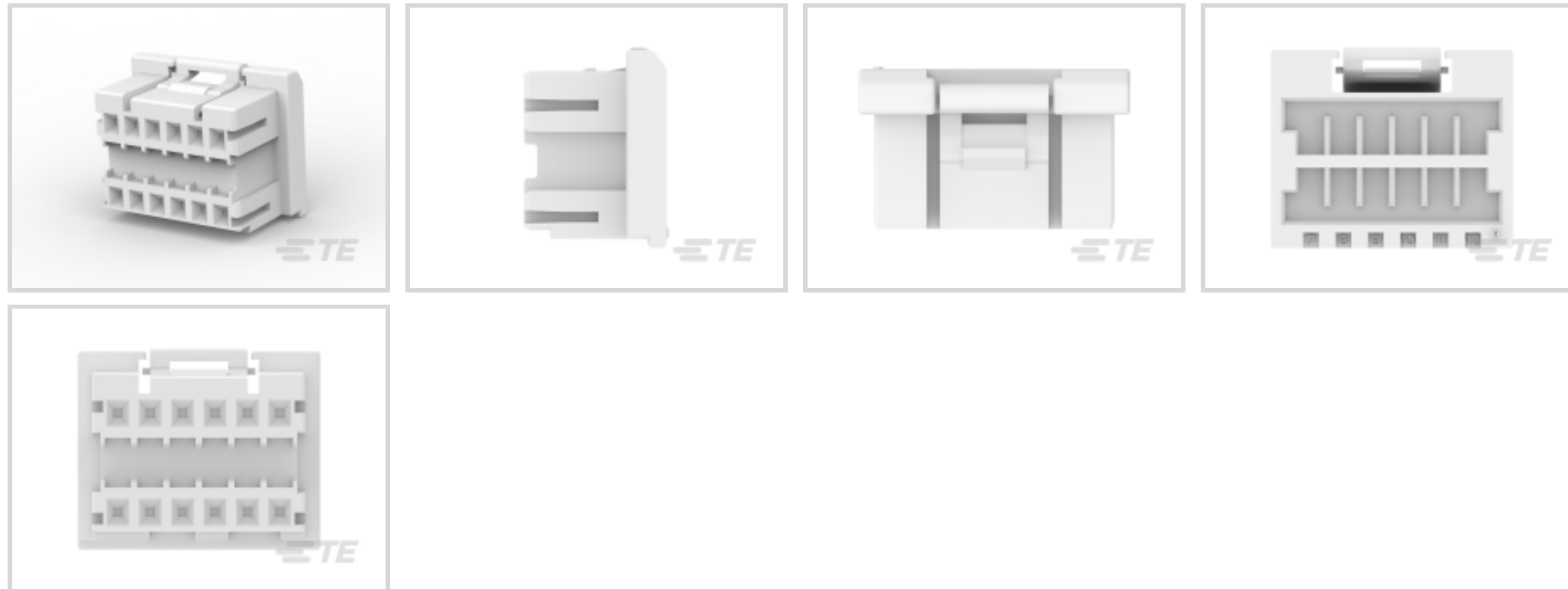
GRACE INERTIA 2.5

TE Internal #: 1981972-1

Rectangular Connector Housings, Wire-to-Wire, 12 Position, .098 in [2.5 mm] Centerline, 2 Row, PBT GF, Plug, Socket, Wire & Cable, GRACE INERTIA 2.5

[View on TE.com >](#)

Connectors > Rectangular Connectors > Rectangular Connector Housings > STD Temp Sig GRACE INERTIA Plug



Connector System: **Wire-to-Wire**

Number of Positions: **12**

Centerline (Pitch): **2.5 mm [.098 in]**

Number of Rows: **2**

Housing Material: **PBT GF**

[All STD Temp Sig GRACE INERTIA Plug \(63\)](#)

Features

Product Type Features

Connector System	Wire-to-Wire
Connector & Housing Type	Plug
Sealable	No
Connector & Contact Terminates To	Wire & Cable

Configuration Features

Number of Cavities	12
Number of Positions	12
Number of Rows	2

Electrical Characteristics

Operating Voltage	250 VAC
-------------------	---------

Contact Features

Contact Layout	Matrix
----------------	--------



Contact Type	Socket
--------------	--------

Mechanical Attachment

Connector Mounting Type	Cable Mount (Free-Hanging)
-------------------------	----------------------------

Housing Features

Housing Color	Natural
---------------	---------

Centerline (Pitch)	2.5 mm[.098 in]
--------------------	-----------------

Housing Material	PBT GF
------------------	--------

Dimensions

Connector Height	11 mm[.511 in]
------------------	----------------

Product Width	15.2 mm[.598 in]
---------------	------------------

Product Length	18.7 mm[.736 in]
----------------	------------------

Row-to-Row Spacing	7.6 mm[.3 in]
--------------------	---------------

Usage Conditions

Operating Temperature Range	-30 – 105 °C[-22 – 221 °F]
-----------------------------	----------------------------

Operation/Application

Halogen Free	No
--------------	----

Circuit Application	Signal
---------------------	--------

Identification Marking

Circuit Identification Feature	Without
--------------------------------	---------

Industry Standards

Glow Wire Rating	Standard Part - Not Glow Wire
------------------	-------------------------------

Compatible With Agency/Standards Products	UL
---	----

Compatible With Approved Standards Products	UL E28476
---	-----------

UL Flammability Rating	UL 94V-0
------------------------	----------

Packaging Features

Packaging Quantity	800
--------------------	-----

Packaging Method	Bag
------------------	-----

Product Compliance

[For compliance documentation, visit the product page on TE.com>](#)

EU RoHS Directive 2011/65/EU	Compliant
------------------------------	-----------

EU ELV Directive 2000/53/EC	Compliant
-----------------------------	-----------



China RoHS 2 Directive MIIT Order No 32, 2016	No Restricted Materials Above Threshold
EU REACH Regulation (EC) No. 1907/2006	Current ECHA Candidate List: JUNE 2024 (241) Candidate List Declared Against: JAN 2024 (240) Does not contain REACH SVHC
Halogen Content	Not Low Halogen - contains Br or Cl > 900 ppm.
Solder Process Capability	Not applicable for solder process capability

Product Compliance Disclaimer

This information is provided based on reasonable inquiry of our suppliers and represents our current actual knowledge based on the information they provided. This information is subject to change. The part numbers that TE has identified as EU RoHS compliant have a maximum concentration of 0.1% by weight in homogenous materials for lead, hexavalent chromium, mercury, PBB, PBDE, DBP, BBP, DEHP, DIBP, and 0.01% for cadmium, or qualify for an exemption to these limits as defined in the Annexes of Directive 2011/65/EU (RoHS2). Finished electrical and electronic equipment products will be CE marked as required by Directive 2011/65/EU. Components may not be CE marked. Additionally, the part numbers that TE has identified as EU ELV compliant have a maximum concentration of 0.1% by weight in homogenous materials for lead, hexavalent chromium, and mercury, and 0.01% for cadmium, or qualify for an exemption to these limits as defined in the Annexes of Directive 2000/53/EC (ELV). Regarding the REACH Regulation, the information TE provides on SVHC in articles for this part number is based on the latest European Chemicals Agency (ECHA) 'Guidance on requirements for substances in articles' posted at this URL: <https://echa.europa.eu/guidance-documents/guidance-on-reach>

Compatible Parts




TE Part # CAT-G7534A-C1701
STD Temp Sig GRACE INERTIA Cap



TE Part # CAT-G7534A-P729
STD Temp Sig GRACE INERTIA Plug

Also in the Series | GRACE INERTIA 2.5




Connector Contacts(6)



Connector Hardware(7)



PCB Headers & Receptacles(138)



Rectangular Connector Housings(49)

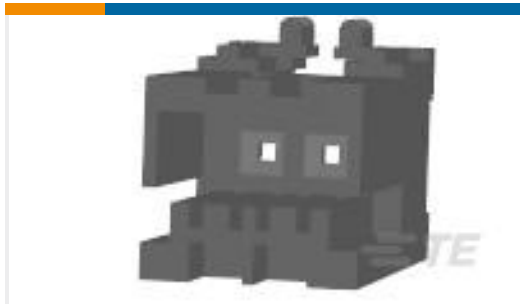


Rectangular Power Connectors(35)



Wire-to-Board Connector Assemblies & Housings(46)

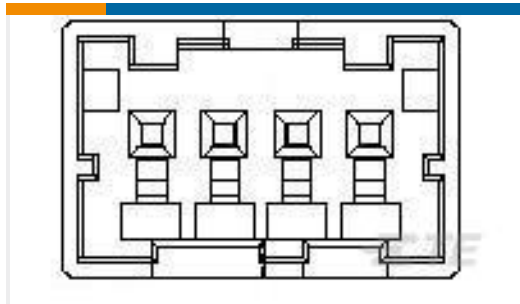
Customers Also Bought



TE Part #316086-1
2.5 SIGNAL D/LOCK CAP HSG 2P



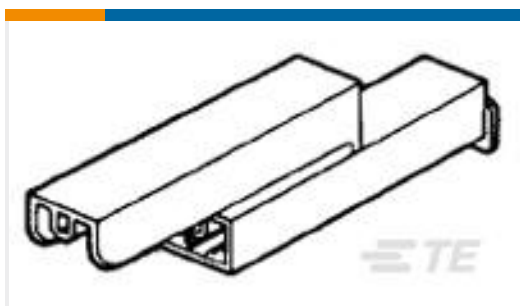
TE Part #177914-1
AMP POWER DBL LOCK REC (S)



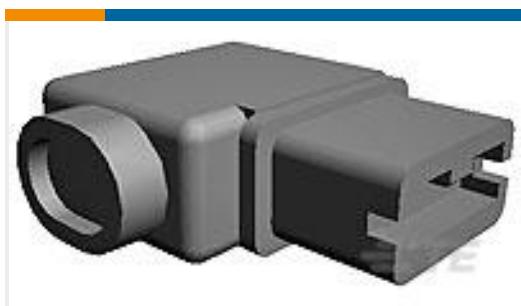
TE Part #1-1903393-2
GIC 2.5 W CAP HSG 4P RED



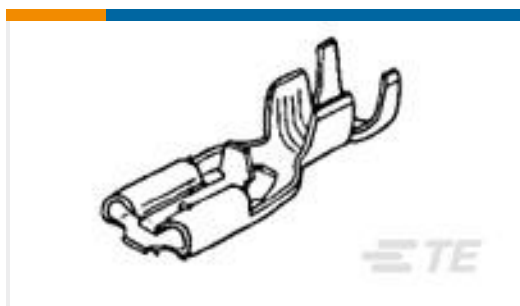
TE Part #176498-1
POSITIVE LOCK 187 (4.8 MM) HOUSING



TE Part #1-174712-1
187 HSG. PL MKII REC. 6.65mm 2P NAT



TE Part #1-176497-1
250 HSG. PL EX FLAG REC. NAT



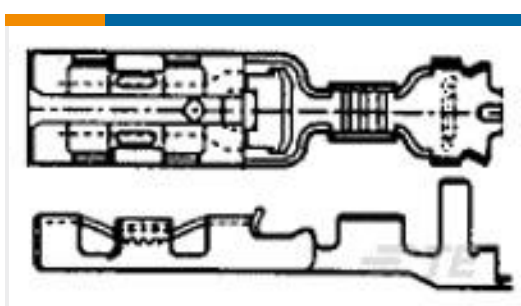
TE Part #170324-1
187 PL MKII REC. 24-20AWG PTBR



TE Part #175057-1
250 PL EX FLAG REC. 18-12AWG PTBR



TE Part #1-178708-1
187 SLEEV PL EX FLAG NAT



TE Part #353249-2
110 PL EX REC. 26-22AWG PTPHBZ

Documents

Product Drawings

GIC2.5W PLUG HOUSING 12POS (2-ROW) NAT

English

CAD Files

3D PDF

3D

Customer View Model

ENG_CVM_CVM_1981972-1_E_c-1981972-1-e.2d_dxf.zip



English

Customer View Model

[ENG_CVM_CVM_1981972-1_E_c-1981972-1-e.3d_igs.zip](#)

English

Customer View Model

[ENG_CVM_CVM_1981972-1_E_c-1981972-1-e.3d_stp.zip](#)

English

By downloading the CAD file I accept and agree to the [Terms and Conditions](#) of use.

Product Specifications

[Application Specification](#)

English

Agency Approvals

[UL Report](#)

English