



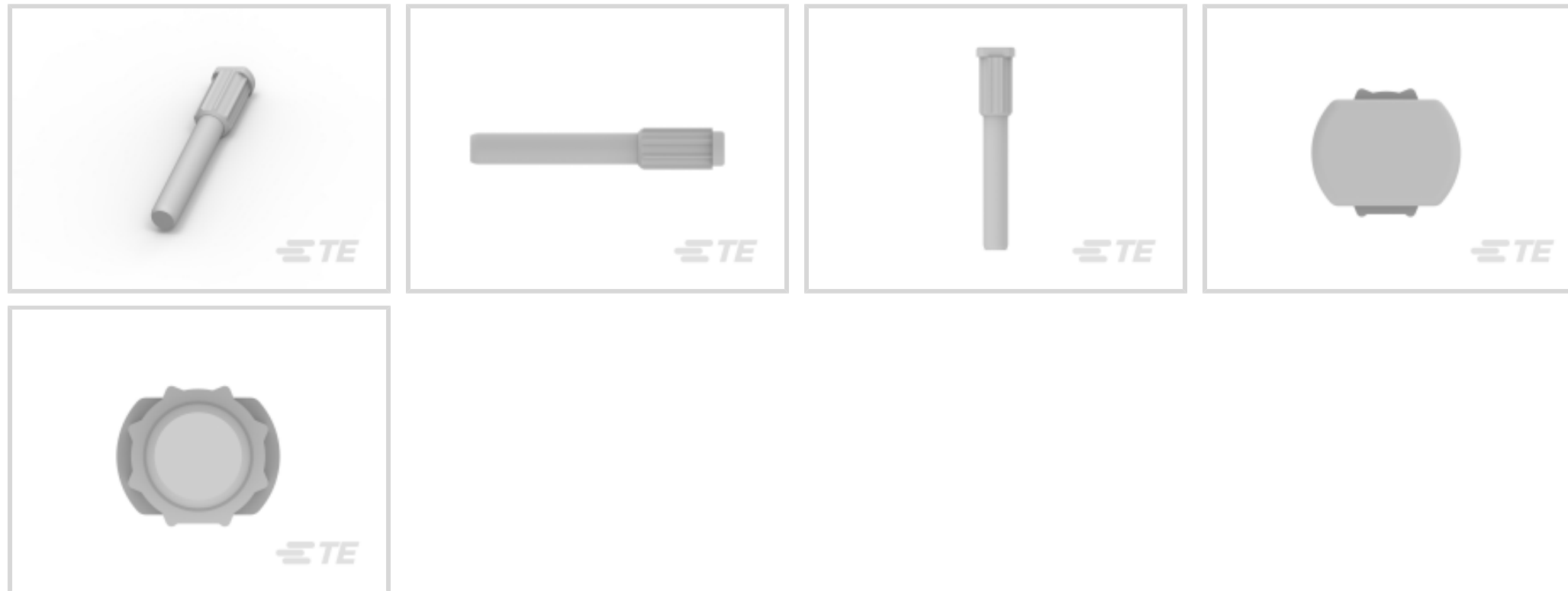
0.50 Connector System

TE Internal #: 1981562-1

0.50 Connector System, Automotive Seals & Cavity Plugs, Family Seal, Gray

[View on TE.com >](#)

Connectors > Automotive Connectors > Seals & Cavity Plugs



Connector Seal Type: **Family Seal**

Primary Product Color: **Gray**

**Features**

**Product Type Features**

Connector Seal Type	Family Seal
---------------------	-------------

**Body Features**

Primary Product Color	Gray
-----------------------	------

**Industry Standards**

UL Flammability Rating	UL 94HB
------------------------	---------

**Packaging Features**

Packaging Quantity	5000
Packaging Method	Bag

**Product Compliance**

[For compliance documentation, visit the product page on TE.com>](#)

EU RoHS Directive 2011/65/EU	Compliant
EU ELV Directive 2000/53/EC	Compliant
China RoHS 2 Directive MIIT Order No 32, 2016	No Restricted Materials Above Threshold
EU REACH Regulation (EC) No. 1907/2006	Current ECHA Candidate List: JUL 2021 (219) Candidate List Declared Against: JUL 2021 (219)



Does not contain REACH SVHC

Halogen Content

Low Halogen - Br, Cl, F, I < 900 ppm per homogenous material. Also BFR/CFR/PVC Free

Solder Process Capability

Not applicable for solder process capability

Product Compliance Disclaimer

This information is provided based on reasonable inquiry of our suppliers and represents our current actual knowledge based on the information they provided. This information is subject to change. The part numbers that TE has identified as EU RoHS compliant have a maximum concentration of 0.1% by weight in homogenous materials for lead, hexavalent chromium, mercury, PBB, PBDE, DBP, BBP, DEHP, DIBP, and 0.01% for cadmium, or qualify for an exemption to these limits as defined in the Annexes of Directive 2011/65/EU (RoHS2). Finished electrical and electronic equipment products will be CE marked as required by Directive 2011/65/EU. Components may not be CE marked. Additionally, the part numbers that TE has identified as EU ELV compliant have a maximum concentration of 0.1% by weight in homogenous materials for lead, hexavalent chromium, and mercury, and 0.01% for cadmium, or qualify for an exemption to these limits as defined in the Annexes of Directive 2000/53/EC (ELV). Regarding the REACH Regulation, the information TE provides on SVHC in articles for this part number is based on the latest European Chemicals Agency (ECHA) 'Guidance on requirements for substances in articles' posted at this URL: <https://echa.europa.eu/guidance-documents/guidance-on-reach>

### Compatible Parts




TE Part # 1554461-2  
33POS,1.0 SERIES,REC HSG ASSY,SLD




TE Part # 2290490-1  
16POS,1.0 SERIES,REC HSG ASSY,SLD


### Also in the Series | 0.50 Connector System




Automotive Headers(15)



Automotive Housings(28)



Automotive Seals & Cavity Plugs(2)

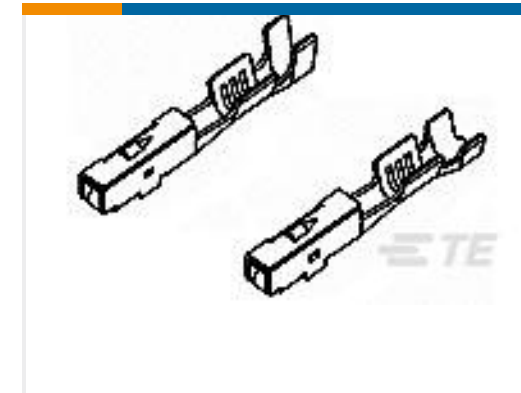


Automotive Terminals(8)



Insertion &amp; Extraction Tools(1)

## Customers Also Bought

TE Part #174090-2  
PL .250 (6.3 MM) HOUSINGTE Part #1554723-1  
1.0 SEALED RECEPTACLE CONTACTTE Part #1746863-2  
0.64III/2.3II 26POS PLUG ASSYTE Part #179965-1  
070 REC CONTACT "S"TE Part #1939351-1  
1.0 SEALED RECEPTACLE CONTACT  
SnTE Part #590760-000  
ES-CAP-HW-NO.3-0-45MM-STTE Part #1981561-2  
0.50 SERIES CAVITY PLUGTE Part #2290490-1  
16POS, 1.0 SERIES, REC HSG ASSY, SLDTE Part #1674311-8  
0.64 III RCPT NON SEALED AuTE Part #1674936-5  
0.64 III RCPT NON SEALED TIN (S)

## Documents

### Product Drawings

#### 1.0 SERIES CAVITY PLUG

Japanese

### CAD Files

#### 3D PDF

3D

### Customer View Model

ENG\_CVM\_CVM\_1981562-1\_A.2d\_dxf.zip



English

**Customer View Model**

[ENG\\_CVM\\_CVM\\_1981562-1\\_A.3d\\_igs.zip](#)

English

**Customer View Model**

[ENG\\_CVM\\_CVM\\_1981562-1\\_A.3d\\_stp.zip](#)

English

By downloading the CAD file I accept and agree to the [Terms and Conditions](#) of use.

---

### Product Specifications

**Product Specification**

Japanese

**Product Specification**

Japanese

**Product Specification**

Japanese

**Product Specification**

Japanese

---

### Product Environmental Compliance

**Product Compliance**

English

**Product Compliance**

English

---

### Instruction Sheets

**Instruction Sheet (non U.S.)**

English

**Instruction Sheet (non U.S.)**

Japanese

**Instruction Sheet (non U.S.)**

Japanese