

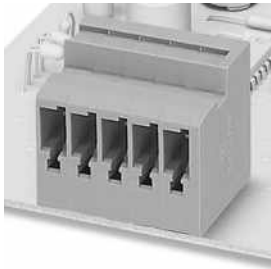
ST 4-PCB/ 7-G-6,2 - PCB header



1980640

<https://www.phoenixcontact.com/pc/products/1980640>

Please be informed that the data shown in this PDF document is generated from our Online Catalog. Please find the complete data in the user documentation. Our General Terms of Use for Downloads are valid.



ST-COMBI receptacle, plug-in direction horizontal to the PCB, pitch: 6.2 mm, no. of positions: 7

Your advantages

- Well-known mounting principle allows worldwide use
- Easy PCB replacement thanks to plug-in modules

Commercial Data

Item number	1980640
Packing unit	50 pc
Minimum order quantity	1 pc
Product Key	AACSOA
Catalog Page	Page 326 (C-1-2019)
GTIN	4017918972318
Weight per Piece (including packing)	21.67 g
Weight per Piece (excluding packing)	18.487 g
Customs tariff number	85366930
Country of origin	PL

ST 4-PCB/ 7-G-6,2 - PCB header



1980640

<https://www.phoenixcontact.com/pc/products/1980640>

Technical Data

Product properties

Product line	COMBICON Connectors M
Product type	PCB headers
Product family	ST 4-PCB/...-G
Number of positions	7
Pitch	6.2 mm
Number of rows	1
Mounting flange	without
Pin layout	Zigzag pinning W
Solder pins per potential	2

Electrical properties

Nominal current I_N	26 A
Nominal voltage U_N	1000 V
Degree of pollution	3
Contact resistance	0.7 m Ω
Rated voltage (III/3)	800 V
Rated surge voltage (III/3)	8 kV
Rated voltage (III/2)	1000 V
Rated surge voltage (III/2)	8 kV
Rated voltage (II/2)	1000 V
Rated surge voltage (II/2)	6 kV

Mounting

Mounting type	Wave soldering
Pin layout	Zigzag pinning W

Material specifications

Material data - contact

Note	WEEE/RoHS-compliant, free of whiskers according to IEC 60068-2-82/JEDEC JESD 201
Contact material	Cu alloy
Surface characteristics	Tin-plated
Metal surface contact area (top layer)	Tin (4 - 8 μ m Sn)
Metal surface soldering area (top layer)	Tin (4 - 8 μ m Sn)

Material data - housing

Color (Housing)	gray (7042)
Insulating material	PA
Insulating material group	I
CTI according to IEC 60112	600
Flammability rating according to UL 94	V0

ST 4-PCB/ 7-G-6,2 - PCB header

1980640

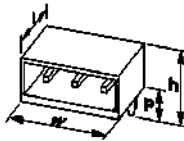
<https://www.phoenixcontact.com/pc/products/1980640>

Glow wire flammability index GWFI according to EN 60695-2-12	850
Glow wire ignition temperature GWIT according to EN 60695-2-13	775
Temperature for the ball pressure test according to EN 60695-10-2	125 °C

Notes

Note on application	In accordance with IEC 61984, COMBICON connectors have no switching power (COC). During designated use, they must not be plugged in or disconnected when carrying voltage or under load.
---------------------	--

Dimensions

Dimensional drawing	
Pitch	6.2 mm
Width [w]	45.45 mm
Height [h]	29.45 mm
Length [l]	25.1 mm
Installed height	25.95 mm
Solder pin length [P]	3.5 mm

Mechanical tests

Visual inspection

Specification	IEC 60512-2:1985-00
Result	Test passed

Dimension check

Specification	IEC 60512-2:1985-00
Result	Test passed

Resistance of inscriptions

Specification	IEC 60068-2-70:1995-12
Result	Test passed

Polarization and coding

Specification	IEC 60512-7:1993-08 (Polarization)
Result	Test passed

Contact holder in insert

Specification	IEC 60512-8:1993-01
Contact holder in insert Requirements >20 N	Test passed

Insertion and withdrawal forces

ST 4-PCB/ 7-G-6,2 - PCB header



1980640

<https://www.phoenixcontact.com/pc/products/1980640>

Result	Test passed
No. of cycles	50
Insertion strength per pos. approx.	8 N
Withdraw strength per pos. approx.	6 N

Electrical tests

Thermal test | Test group C

Specification	IEC 60512-5-1:2002-02
Tested number of positions	12

Insulation resistance

Specification	IEC 60512-2:1985-00
Insulation resistance, neighboring positions	$10^{12} \Omega$

Temperature cycles

Specification	IEC 60999-1:1999-11
Result	Test passed

Air clearances and creepage distances |

Specification	IEC 60664-1:2007-04
Insulating material group	I
Comparative tracking index (IEC 60112)	CTI 600
Rated insulation voltage (III/3)	800 V
Rated surge voltage (III/3)	8 kV
minimum clearance value - non-homogenous field (III/3)	8 mm
minimum creepage distance (III/3)	10 mm
Rated insulation voltage (III/2)	1000 V
Rated surge voltage (III/2)	8 kV
minimum clearance value - non-homogenous field (III/2)	8 mm
minimum creepage distance (III/2)	8 mm
Rated insulation voltage (II/2)	1000 V
Rated surge voltage (II/2)	6 kV
minimum clearance value - non-homogenous field (II/2)	5.5 mm
minimum creepage distance (II/2)	5.5 mm

Environmental and real-life conditions

Vibration test

Specification	IEC 60068-2-6:1995-03
Frequency	10 - 150 - 10 Hz
Sweep speed	1 octave/min
Amplitude	0.35 mm (10 Hz ... 60.1 Hz)
Sweep speed	5g (60.1 Hz ... 150 Hz)
Test duration per axis	2.5 h

Durability test

ST 4-PCB/ 7-G-6,2 - PCB header



1980640

<https://www.phoenixcontact.com/pc/products/1980640>

Specification	IEC 60512-5:1992-08
Impulse withstand voltage at sea level	9.8 kV
Contact resistance R_1	0.7 m Ω
Contact resistance R_2	1 m Ω
Insertion/withdrawal cycles	50

Climatic test

Specification	ISO 6988:1985-02
Corrosive stress	KFW 0.2 S/1 cycle
Thermal stress	100 °C/168 h
Power-frequency withstand voltage	4.26 kV

Ambient conditions

Ambient temperature (operation)	-40 °C ... 100 °C (dependent on the derating curve)
Ambient temperature (storage/transport)	-40 °C ... 70 °C
Relative humidity (storage/transport)	30 % ... 70 %
Ambient temperature (assembly)	-5 °C ... 100 °C

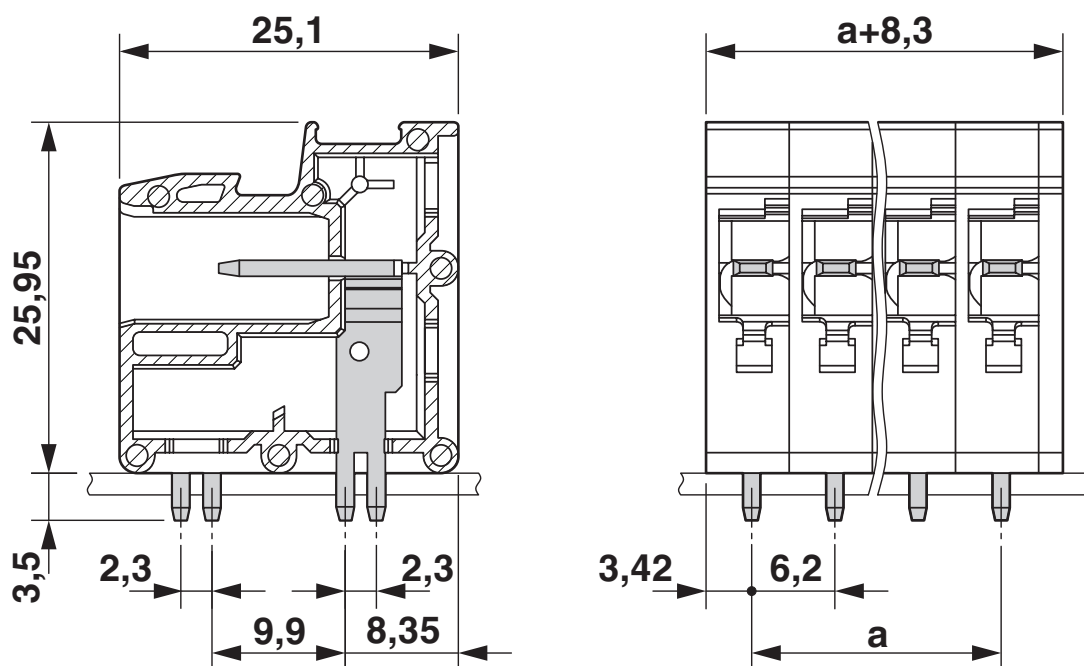
ST 4-PCB/ 7-G-6,2 - PCB header

1980640

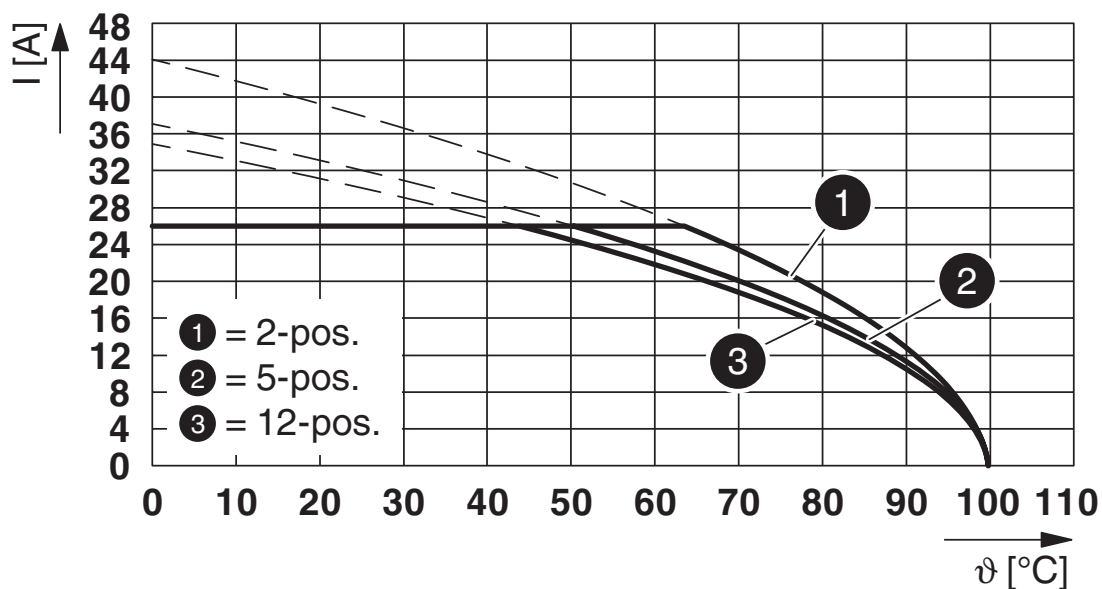
<https://www.phoenixcontact.com/pc/products/1980640>

Drawings

Dimensional drawing



Diagram



Type: SP 4/... with ST 4-PCB/...-G-6,2

ST 4-PCB/ 7-G-6,2 - PCB header



1980640

<https://www.phoenixcontact.com/pc/products/1980640>

Approvals

To download certificates, visit the product detail page: <https://www.phoenixcontact.com/pc/products/1980640>



EAC

Approval ID: RU C-DE.A*30.B.01742



cULus Recognized

Approval ID: E60425-19941110

	Nominal Voltage U_N	Nominal Current I_N	Cross Section AWG	Cross Section mm^2
Use group B	600 V	20 A	-	-
Use group C	600 V	20 A	-	-



EAC

Approval ID: B.01687

ST 4-PCB/ 7-G-6,2 - PCB header



1980640

<https://www.phoenixcontact.com/pc/products/1980640>

Classifications

ECLASS

ECLASS-11.0	27460201
ECLASS-12.0	27460201
ECLASS-13.0	27460201

ETIM

ETIM 8.0	EC002637
----------	----------

UNSPSC

UNSPSC 21.0	39121400
-------------	----------

ST 4-PCB/ 7-G-6,2 - PCB header



1980640

<https://www.phoenixcontact.com/pc/products/1980640>

Environmental Product Compliance

China RoHS	Environmentally friendly use period: unlimited = EFUP-e
	No hazardous substances above threshold values

Phoenix Contact 2023 © - all rights reserved
<https://www.phoenixcontact.com>

PHOENIX CONTACT GmbH & Co. KG
Flachmarktstraße 8
D-32825 Blomberg
+49 (0) 5235-3 00
info@phoenixcontact.com