

1969729-2 ✓ ACTIVE



Economy Power 2.5

TE Internal #: 1969729-2

Rectangular Power Connectors, Header, Plug, Wire-to-Wire / Wire-to-Board, 2 Position, 2.5 mm [.098 in] Centerline, Economy Power 2.5

[View on TE.com >](#)

Connectors > Power Connectors > Rectangular Power > Rectangular Power Connectors



Rectangular Power Connector Type: **Header**

Connector & Housing Type: **Plug**

Connector System: **Wire-to-Board, Wire-to-Wire**

Number of Positions: **2**

Centerline (Pitch): **2.5 mm [.098 in]**

Features

Product Type Features

Header Type	Fully Shrouded
Rectangular Power Connector Type	Header
Connector & Housing Type	Plug
Connector System	Wire-to-Board, Wire-to-Wire
Sealable	No
Connector & Contact Terminates To	Printed Circuit Board

Configuration Features

Number of Columns	2
Number of Loaded Positions	2
Number of Positions	2
PCB Mount Orientation	Vertical
Number of Power Positions	2
Number of Rows	1

Electrical Characteristics



Operating Voltage	250 VAC
-------------------	---------

Contact Features

Contact Layout	Inline
Contact Mating Area Plating Material	Tin
Contact Underplating Material	Nickel
Contact Base Material	Brass
Contact Current Rating (Max)	4.2 A
Contact Retention Within Housing	Without
Contact Type	Pin
PCB Contact Termination Area Plating Material	Tin
Contact Mating Area Plating Material Thickness	2.032 μ m[80 μ in]

Termination Features

Termination Method to Printed Circuit Board	Through Hole - Solder
---	-----------------------

Mechanical Attachment

Mating Alignment Type	Polarization
Mating Alignment	With
PCB Mount Retention	With
PCB Mount Retention Type	Kinked Legs
Connector Mounting Type	Board Mount

Housing Features

Centerline (Pitch)	2.5 mm[.098 in]
Housing Color	Natural
Housing Material	PBT GF30

Dimensions

Connector Height	8.8 mm[.346 in]
Product Width	6.4 mm[.251 in]
Product Length	7.5 mm[.295 in]

Usage Conditions

Operating Temperature Range	-55 – 105 °C[-67 – 221 °F]
-----------------------------	----------------------------

Operation/Application

Shielded	No
Circuit Application	Power



Industry Standards

UL Rating	Recognized
Compatible With Agency/Standards Products	UL
UL Flammability Rating	UL 94V-0
Glow Wire Rating	Standard Part - Not Glow Wire

Packaging Features

Packaging Quantity	600
Packaging Method	Bag

Product Compliance

[For compliance documentation, visit the product page on TE.com>](#)

EU RoHS Directive 2011/65/EU	Compliant
EU ELV Directive 2000/53/EC	Compliant
China RoHS 2 Directive MIIT Order No 32, 2016	No Restricted Materials Above Threshold
EU REACH Regulation (EC) No. 1907/2006	Current ECHA Candidate List: JUNE 2024 (241) Candidate List Declared Against: JAN 2024 (240) Does not contain REACH SVHC
Halogen Content	Not Low Halogen - contains Br or Cl > 900 ppm.
Solder Process Capability	Not reviewed for solder process capability

Product Compliance Disclaimer

This information is provided based on reasonable inquiry of our suppliers and represents our current actual knowledge based on the information they provided. This information is subject to change. The part numbers that TE has identified as EU RoHS compliant have a maximum concentration of 0.1% by weight in homogenous materials for lead, hexavalent chromium, mercury, PBB, PBDE, DBP, BBP, DEHP, DIBP, and 0.01% for cadmium, or qualify for an exemption to these limits as defined in the Annexes of Directive 2011/65/EU (RoHS2). Finished electrical and electronic equipment products will be CE marked as required by Directive 2011/65/EU. Components may not be CE marked. Additionally, the part numbers that TE has identified as EU ELV compliant have a maximum concentration of 0.1% by weight in homogenous materials for lead, hexavalent chromium, and mercury, and 0.01% for cadmium, or qualify for an exemption to these limits as defined in the Annexes of Directive 2000/53/EC (ELV). Regarding the REACH Regulation, the information TE provides on SVHC in articles for this part number is based on the latest European Chemicals Agency (ECHA) 'Guidance on requirements for substances in articles' posted at this URL: <https://echa.europa.eu/guidance-documents/guidance-on-reach>

Compatible Parts




TE Part # 2132415-2
EP2.5 Shrouded HDR ASSY 2P VERT w /o boss



TE Part # 1-1969729-0
EP2.5 Shrouded HDR ASSY 10P VERT w/o boss



TE Part # 1-2132415-5
EP2.5 Shrouded HDR ASSY 15P VERT w/o boss



TE Part # 1744439-2
EP2.5 Shrd HDR ASSY 2P VERT, GW



TE Part # 1969729-7
EP2.5 Shrouded HDR ASSY 7P VERT w /o boss



TE Part # 1969729-3
EP2.5 Shrouded HDR ASSY 3P VERT w /o boss



TE Part # 1969729-4
EP2.5 Shrouded HDR ASSY 4P VERT w /o boss



TE Part # 1969729-5
EP2.5 Shrouded HDR ASSY 5P VERT w /o boss




TE Part # 1969729-9
EP2.5 Shrouded HDR ASSY 9P VERT w /o boss




TE Part # 2299683-1
EP2.5 HDR 2P VERT W/O BOSS, TAPING

Also in the Series | Economy Power 2.5




Connector Contacts(6)



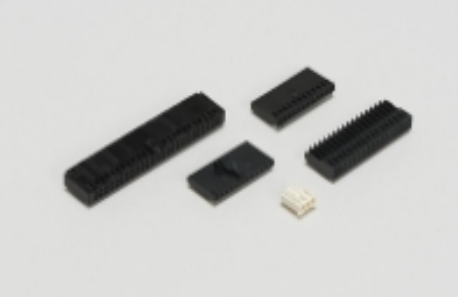
Connector Hardware(49)



PCB Headers & Receptacles(494)

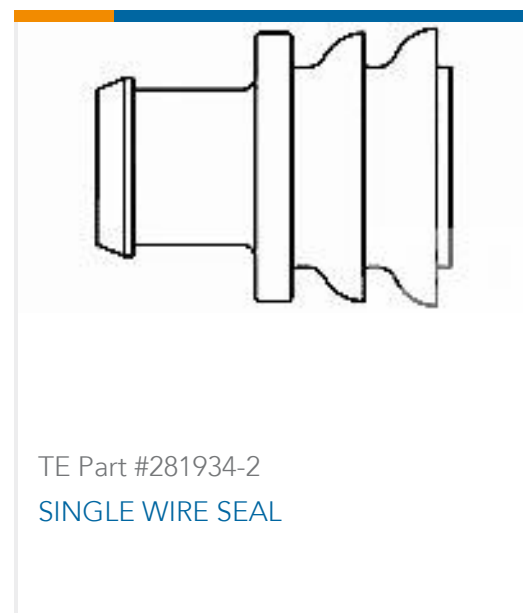


Rectangular Power Connectors(43)



Wire-to-Board Connector Assemblies & Housings(305)

Customers Also Bought



Documents

Product Drawings

[EP2.5 Shrouded HDR ASSY 2P VERT w/o boss](#)

English

CAD Files

[3D PDF](#)

3D

Customer View Model

[ENG_CVM_CVM_1969729-2_A.2d_dxf.zip](#)

English

Customer View Model

[ENG_CVM_CVM_1969729-2_A.3d_igs.zip](#)

English

Customer View Model

[ENG_CVM_CVM_1969729-2_A.3d_stp.zip](#)

English

By downloading the CAD file I accept and agree to the [Terms and Conditions](#) of use.

Product Specifications

[Application Specification](#)

English

Agency Approvals

[UL Report](#)

English