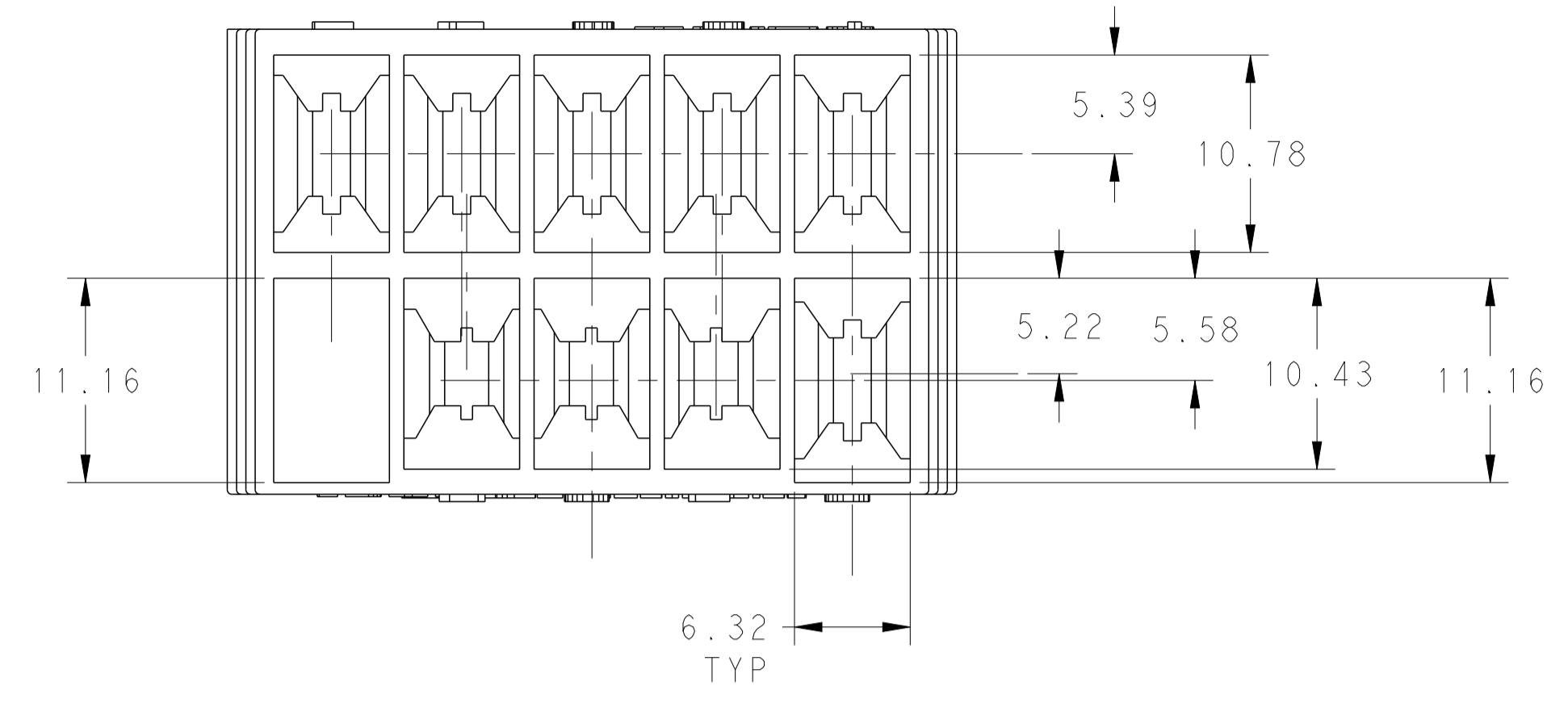
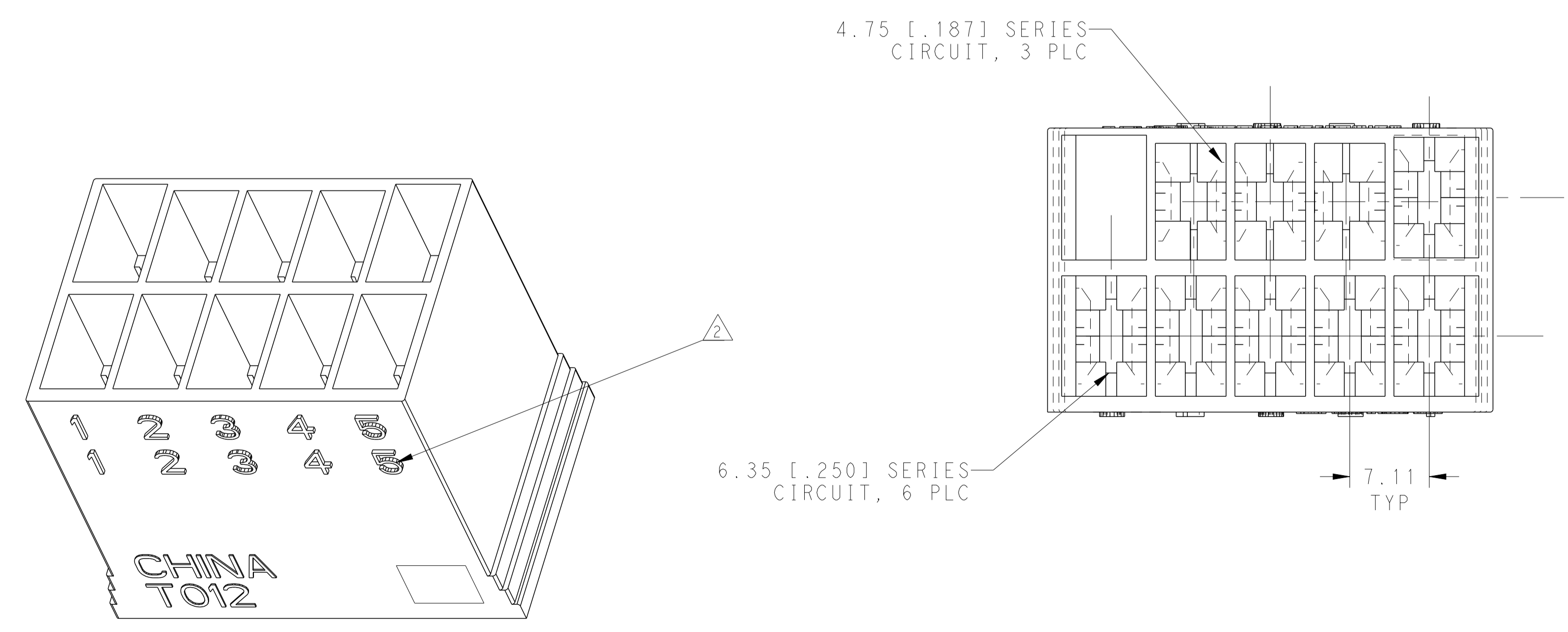
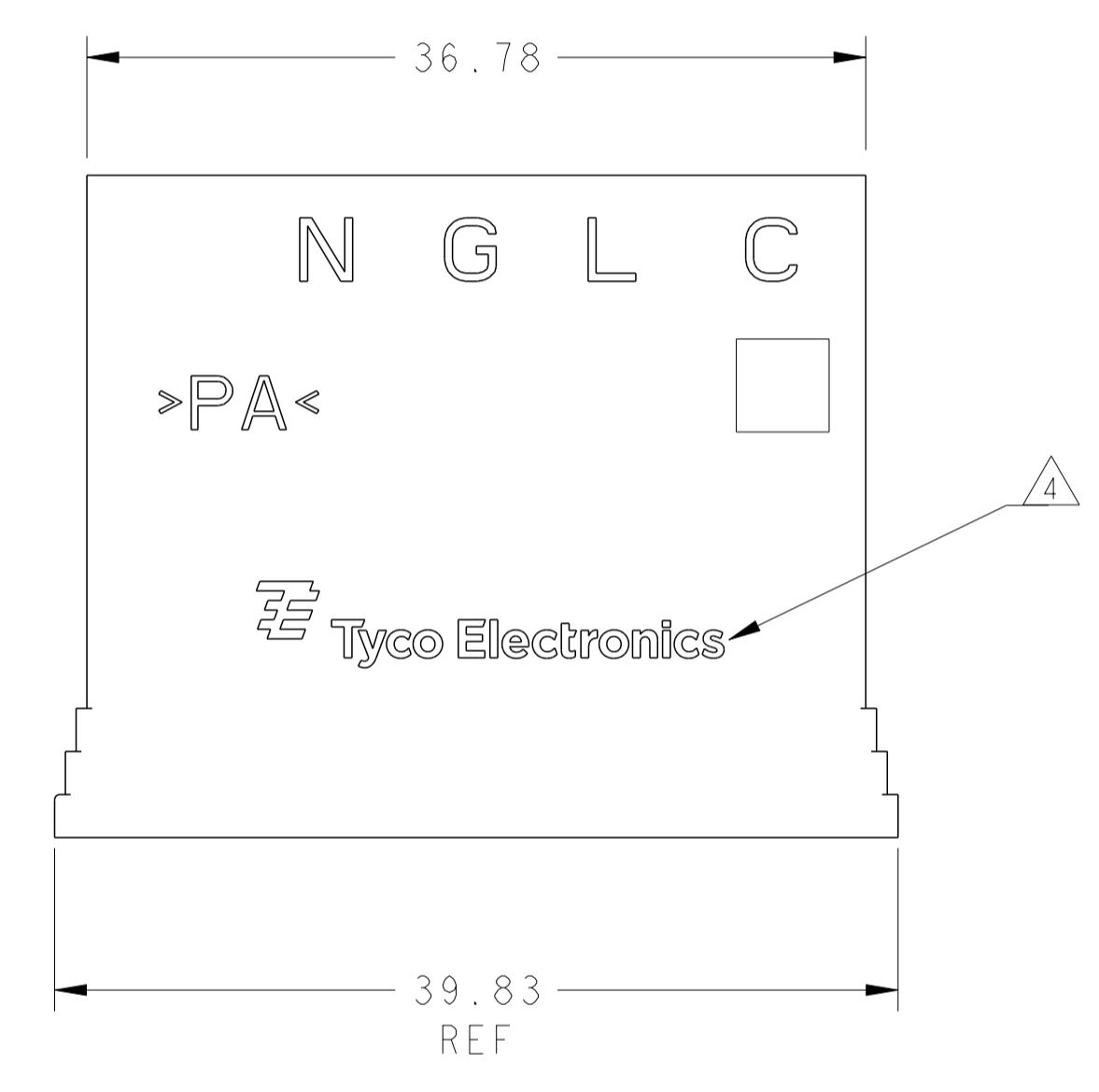
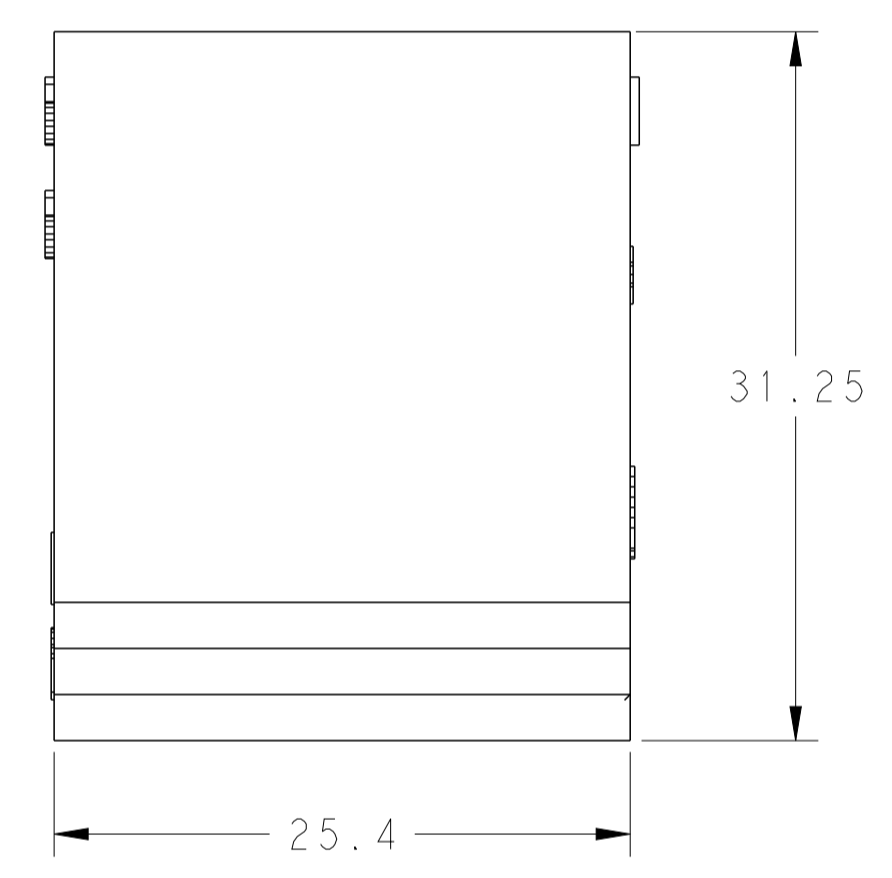


REVISIONS				
P	LTN	DESCRIPTION	DATE	APPD
B3	ECR-17-017192		27NOV2017	GG TD



- 1 TERMINALS TO BE USED ARE 1742800 AND 62553
- 2 PRINTED MARK MUST BE CLEAR, BLACK, AND WITH PAD PRINTING TECHNOLOGY.
- 3 MATERIAL: PA66, NATURAL.
- 4 THIS WILL BE "TYCO ELECTRONICS" OR "TE" LOGO.
- 5 THIS HOUSING MATES WITH HOUSINGS 521780-1 AND 521781-1.



1969383-1
 PART NO.

THIS DRAWING IS A CONTROLLED DOCUMENT.		OWN: JR. RUTH 26JUL10	1969383-1	
DIMENSIONS: mm [INCHES]		CHK: PETE DESANTIS 26JUL10	PART NO.	
TOLERANCES UNLESS OTHERWISE SPECIFIED:		APPD: PETE DESANTIS 26JUL10	TE Connectivity	
0 PLC ±.5	1 PLC ±0.5	NAME: HOUSING, TAB, FASTIN-FASTON, .250 AND .187 SERIES, 9 POSITION	RESTRICTED TO	
2 PLC ±0.25	3 PLC ±0.13	APPLICATION SPEC	SIZE: A1	
4 PLC ±.1	ANGLES ±.1	WEIGHT	CAGE CODE: 100779	
MATERIAL: NYLON	FINISH: COLOR-NATURAL	CUSTOMER DRAWING	DRAWING NO: 1969383	
		SCALE: 3:1	SHEET 1 OF 1	
		REV: B3		