

## Printed-circuit board connector - PC 16/ 5-STF-10,16 - 1967485

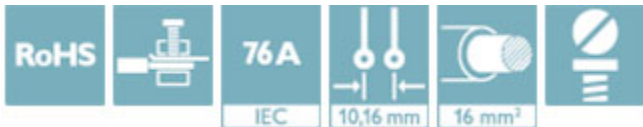
Please be informed that the data shown in this PDF Document is generated from our Online Catalog. Please find the complete data in the user's documentation. Our General Terms of Use for Downloads are valid (<http://phoenixcontact.com/download>)

PCB connector, nominal current: 76 A, number of positions: 5, pitch: 10.16 mm, connection method: Screw connection with tension sleeve, color: green, contact surface: Silver



### Your advantages

- ✓ Well-known connection principle allows worldwide use
- ✓ Low temperature rise, thanks to maximum contact force
- ✓ Allows connection of two conductors
- ✓ Integrated double steel spring provides additional safety in the event of temperature and power fluctuations
- ✓ Screwable flange for superior mechanical stability
- ✓ Integrated protective guide prevents incorrect insertion of the conductor underneath the tension sleeve



### Key Commercial Data

Packing unit	1 pc
Minimum order quantity	50 pc
GTIN	
GTIN	4017918939342
Weight per Piece (excluding packing)	49.340 g
Custom tariff number	85366990
Country of origin	Poland

### Technical data

#### Dimensions

Length [ l ]	41.5 mm
Width [ w ]	68.56 mm
Height [ h ]	27.8 mm

# Printed-circuit board connector - PC 16/ 5-STF-10,16 - 1967485

## Technical data

### Dimensions

Pitch	10.16 mm
Dimension a	40.64 mm

### General

Range of articles	PC 16/..-STF
Number of positions	5
Connection method	Screw connection with tension sleeve
Insulating material group	I
Rated surge voltage (III/3)	8 kV
Rated surge voltage (III/2)	8 kV
Rated surge voltage (II/2)	6 kV
Rated voltage (III/3)	1000 V
Rated voltage (III/2)	1000 V
Rated voltage (II/2)	1000 V
Connection in acc. with standard	EN-VDE
Nominal current $I_N$	76 A
Nominal cross section	16 mm <sup>2</sup>
Maximum load current	76 A
Insulating material	PA
Flammability rating according to UL 94	V0
Internal cylindrical gage	A6
Stripping length	12 mm
Screw thread	M4
Tightening torque, min	1.7 Nm
Tightening torque max	1.8 Nm

### Connection data

Conductor cross section solid min.	0.75 mm <sup>2</sup>
Conductor cross section solid max.	16 mm <sup>2</sup>
Conductor cross section flexible min.	0.75 mm <sup>2</sup>
Conductor cross section flexible max.	16 mm <sup>2</sup>
Conductor cross section flexible, with ferrule without plastic sleeve min.	0.5 mm <sup>2</sup>
Conductor cross section flexible, with ferrule without plastic sleeve max.	16 mm <sup>2</sup> Only in connection with CRIMPFOX 16 S
Conductor cross section flexible, with ferrule with plastic sleeve min.	0.5 mm <sup>2</sup>
Conductor cross section flexible, with ferrule with plastic sleeve max.	10 mm <sup>2</sup> Only in connection with CRIMPFOX 16 S
Conductor cross section AWG min.	18
Conductor cross section AWG max.	6
2 conductors with same cross section, solid min.	0.75 mm <sup>2</sup>

## Printed-circuit board connector - PC 16/ 5-STF-10,16 - 1967485

### Technical data

#### Connection data

2 conductors with same cross section, solid max.	6 mm <sup>2</sup>
2 conductors with same cross section, stranded min.	0.75 mm <sup>2</sup>
2 conductors with same cross section, stranded max.	6 mm <sup>2</sup>
2 conductors with same cross section, stranded, ferrules without plastic sleeve, min.	0.5 mm <sup>2</sup>
2 conductors with same cross section, stranded, ferrules without plastic sleeve, max.	4 mm <sup>2</sup>
2 conductors with same cross section, stranded, TWIN ferrules with plastic sleeve, min.	0.5 mm <sup>2</sup>
2 conductors with same cross section, stranded, TWIN ferrules with plastic sleeve, max.	6 mm <sup>2</sup>
Minimum AWG according to UL/CUL	20
Maximum AWG according to UL/CUL	6

#### Standards and Regulations

Connection in acc. with standard	EN-VDE
	CUL
Flammability rating according to UL 94	V0

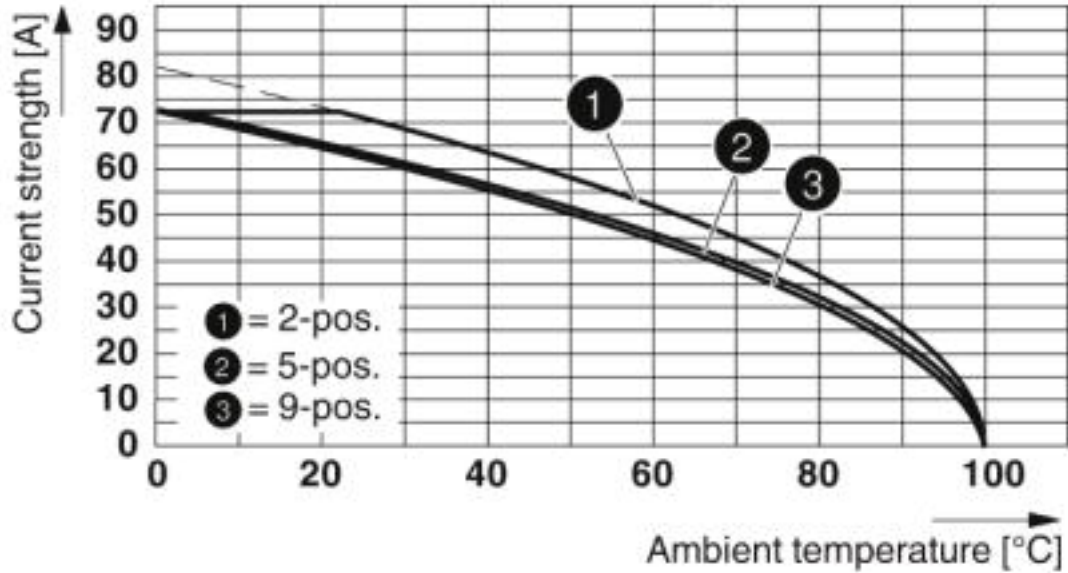
#### Environmental Product Compliance

REACH SVHC	Lead 7439-92-1
China RoHS	Environmentally Friendly Use Period = 50
	For details about hazardous substances go to tab "Downloads", Category "Manufacturer's declaration"

### Drawings

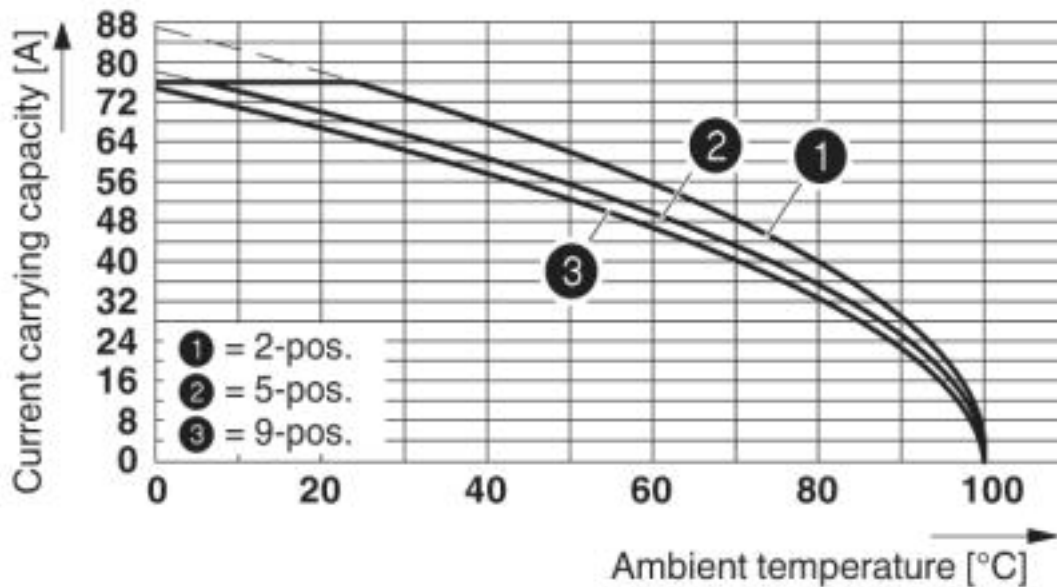
# Printed-circuit board connector - PC 16/ 5-STF-10,16 - 1967485

Diagram



Type: PC 16/...-STF-10,16 with PC 6-16/...-G1F-10,16

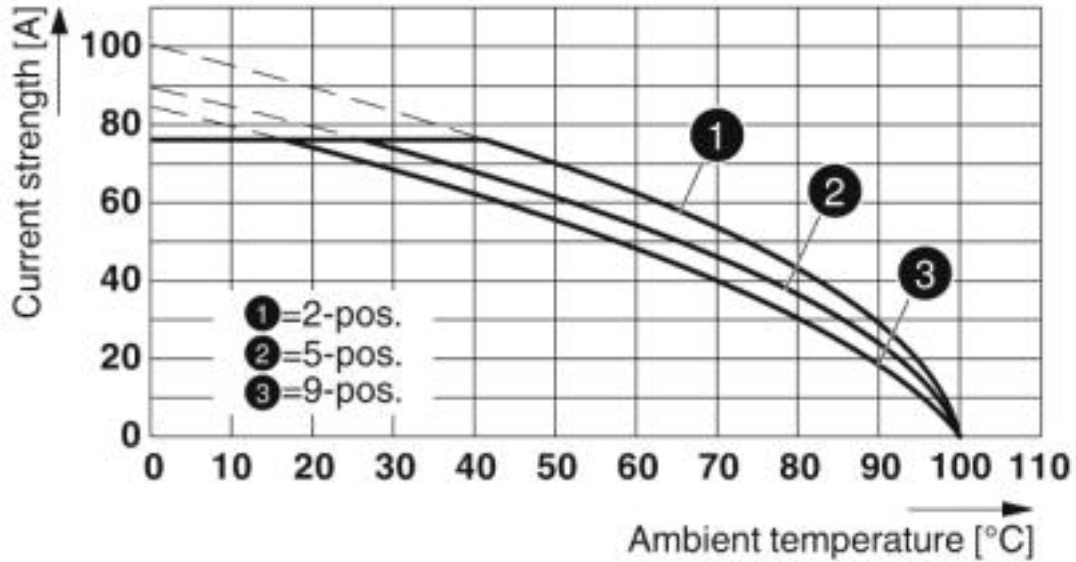
Diagram



Derating curve for: PC 16/...-ST-10,16 with DFK-PC 6-16/...-G-10,16

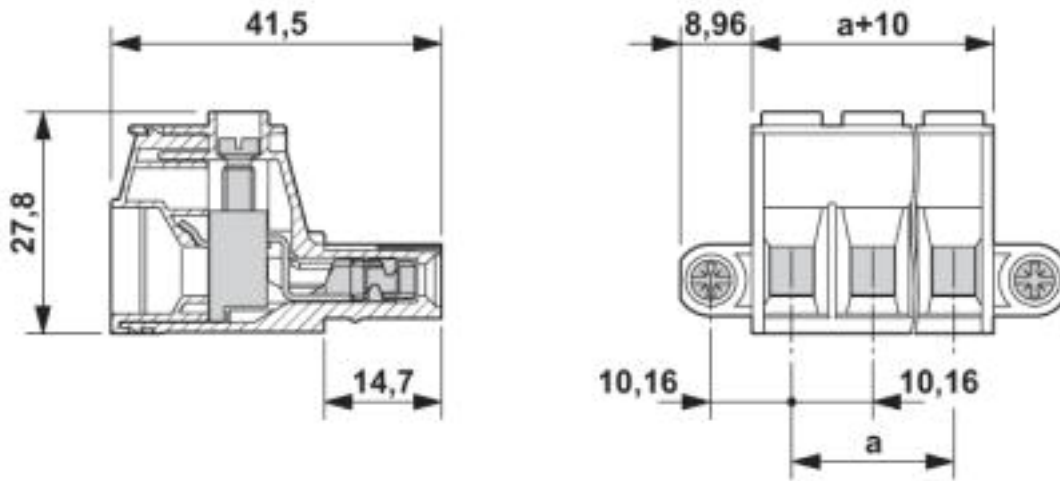
# Printed-circuit board connector - PC 16/ 5-STF-10,16 - 1967485

Diagram



Type: PC 16/..-STF-10,16 with IPC 16/..-STGF-10,16

Dimensional drawing



The figure shows the 3-pos. version

## Classifications

eCl@ss

eCl@ss 4.0	27260700
------------	----------

# Printed-circuit board connector - PC 16/ 5-STF-10,16 - 1967485

## Classifications

### eCl@ss

eCl@ss 4.1	27260700
eCl@ss 5.0	27260700
eCl@ss 5.1	27260700
eCl@ss 6.0	27260700
eCl@ss 7.0	27440309
eCl@ss 8.0	27440309
eCl@ss 9.0	27440309

### ETIM

ETIM 3.0	EC001121
ETIM 4.0	EC002638
ETIM 5.0	EC002638
ETIM 6.0	EC002638
ETIM 7.0	EC002638

### UNSPSC

UNSPSC 6.01	30211810
UNSPSC 7.0901	39121409
UNSPSC 11	39121409
UNSPSC 12.01	39121409
UNSPSC 13.2	39121409

## Approvals

### Approvals

---

#### Approvals

IECEE CB Scheme / SEV / EAC / cULus Recognized

---

#### Ex Approvals

---

### Approval details

# Printed-circuit board connector - PC 16/ 5-STF-10,16 - 1967485

## Approvals

IECEE CB Scheme		<a href="http://www.iecee.org/">http://www.iecee.org/</a>	CH-8077
Nominal voltage UN	1000 V		
Nominal current IN	76 A		

SEV		<a href="https://www.electrosuisse.ch/de/meta/shop/produktezertifikate.html">https://www.electrosuisse.ch/de/meta/shop/produktezertifikate.html</a>	IK-3431
Nominal voltage UN	1000 V		
Nominal current IN	76 A		
mm <sup>2</sup> /AWG/kcmil	16		

EAC			B.01742
-----	--	--	---------

cULus Recognized		<a href="http://database.ul.com/cgi-bin/XYV/template/LISEXT/1FRAME/index.htm">http://database.ul.com/cgi-bin/XYV/template/LISEXT/1FRAME/index.htm</a>	E60425-20040202
	B	C	
Nominal voltage UN	600 V	600 V	
Nominal current IN	55 A	55 A	
mm <sup>2</sup> /AWG/kcmil	20-6	20-6	

## Accessories

Accessories

Coding element

Coding profile - CP-PC RD - 1701967

Coding profile, for plugging into the coding ribs of the plug at a later date, insulating material, color: Red



## Printed-circuit board connector - PC 16/ 5-STF-10,16 - 1967485

### Accessories

#### Crimping tool

Crimping pliers - CRIMPFOX 6 - 1212034



Crimping pliers, for ferrules without insulating collar according to DIN 46228 Part 1 and ferrules with insulating collar according to DIN 46228 Part 4, 0.25 mm<sup>2</sup> ... 6.0 mm<sup>2</sup>, lateral entry, trapezoidal crimp

---

Crimping pliers - CRIMPFOX 16 S - 1207983



Crimping pliers for ferrules up to 16 mm<sup>2</sup>

---

#### Screwdriver tools

Screwdriver - SZS 1,0X4,0 VDE - 1205066



Screwdriver, slot-headed, VDE insulated, size: 1.0 x 4.0 x 100 mm, 2-component grip, with non-slip grip

---

#### Terminal marking

Marker strip - SK 5,0 WH:REEL - 0805221



Marker strip, Roll, white, unlabeled, can be labeled with: THERMOMARK ROLL 2.0, THERMOMARK ROLL, THERMOMARK ROLL X1, THERMOMARK ROLLMASTER 300/600, THERMOMARK X1.2, mounting type: adhesive, for terminal block width: 5 mm, lettering field size: continuous x 5 mm, Number of individual labels: 90000

---

#### Additional products

## Printed-circuit board connector - PC 16/ 5-STF-10,16 - 1967485

### Accessories

Feed-through header - PCV 6-16/ 5-G1F-10,16 - 1998894



PCB headers, nominal current: 76 A, number of positions: 5, pitch: 10.16 mm, color: green, contact surface: Silver, mounting: Wave soldering

---

Feed-through header - PC 6-16/ 5-G1F-10,16 - 1999039



PCB headers, nominal current: 76 A, number of positions: 5, pitch: 10.16 mm, color: green, contact surface: Silver, mounting: Wave soldering

---

Feed-through header - PC 6-16/ 5-G1FU-10,16 - 1996346



PCB headers, nominal current: 76 A, number of positions: 5, pitch: 10.16 mm, color: green, contact surface: Silver, mounting: Wave soldering

---

Printed-circuit board connector - IPC 16/ 5-STGF-10,16 - 1975846



PCB connector, nominal current: 76 A, number of positions: 5, pitch: 10.16 mm, connection method: Screw connection with tension sleeve, color: green, contact surface: Silver

---

Printed-circuit board connector - ISPC 16/ 5-STGF-10,16 - 1748736



PCB connector, nominal current: 76 A, number of positions: 5, pitch: 10.16 mm, connection method: Push-in spring connection, color: green, contact surface: Silver

---

## Printed-circuit board connector - PC 16/ 5-STF-10,16 - 1967485

### Accessories

#### Feed-through plug - DFK-PC 16/ 5-STF-10,16 - 1703483



Feed-through connector, nominal current: 76 A, number of positions: 5, pitch: 10.16 mm, connection method: Screw connection with tension sleeve, color: green, contact surface: Silver

---

#### Feed-through plug - DFK-PC 16/ 5-STF-SH-10,16 - 1703645



Feed-through connector, nominal current: 76 A, number of positions: 5, pitch: 10.16 mm, connection method: Screw connection with tension sleeve, color: green, contact surface: Silver

---

#### Feed-through header - DFK-PC 6-16/ 5-GF-10,16 - 1701566



Feed-through header, nominal current: 76 A, number of positions: 5, pitch: 10.16 mm, color: green, contact surface: Silver, mounting: Wave soldering

---

#### Feed-through header - DFK-PC 6-16/ 5-GFU-10,16 - 1701728



Feed-through header, nominal current: 76 A, number of positions: 5, pitch: 10.16 mm, color: green, contact surface: Silver, mounting: Wave soldering

---

#### Feed-through header - DFK-PCV 6-16/ 5-GF-10,16 - 1702280



Feed-through header, nominal current: 76 A, number of positions: 5, pitch: 10.16 mm, color: green, contact surface: Silver, mounting: Wave soldering

## Printed-circuit board connector - PC 16/ 5-STF-10,16 - 1967485

### Accessories

Feed-through header - DFK-PC 6-16/ 5-GF-SH-10,16 - 1701964



Feed-through header, nominal current: 76 A, number of positions: 5, pitch: 10.16 mm, color: green, contact surface: Silver, mounting: Wave soldering

---

Feed-through header - DFK-PC 6-16/ 5-GFU-SH-10,16 - 1702044



Feed-through header, nominal current: 76 A, number of positions: 5, pitch: 10.16 mm, color: green, contact surface: Silver, mounting: Wave soldering

---

---