



SOLISTRAND

TE Internal #: 1958285-1

Ring Terminals & Spade Terminals, Ring Tongue, 6 AWG Wire Size, 13 – 15 mm<sup>2</sup> Wire Size, 20800 – 33100 CMA Wire Size, Stud Size 1/4 / M6

[View on TE.com >](#)

Terminals & Splices > Ring Terminals & Spade Terminals



Ring & Spade Terminal Type: **Ring Tongue**

Wire Size: **20800 – 33100 CMA**

Stud Size: **1/4, M6**

**Features**

**Product Type Features**

Shape Description	RING-049
Stud Size	1/4, M6
Sealable	No
Wire Insulation Support Retention Type	Non-Insulation Support

**Configuration Features**

Number of Holes	1
Terminal Angle	180 °

**Body Features**

Inspection Slot	No
-----------------	----

**Contact Features**

Ring & Spade Terminal Type	Ring Tongue
Barrel Type	Closed
Terminal Orientation	Offset
Terminal Plating Material	Nickel

**Mechanical Attachment**



Wire Insulation Support	Without
-------------------------	---------

### Dimensions

Wire Size	20800 – 33100 CMA
Stud Diameter	6.73 mm[.265 in]
Tongue Thickness	.79 mm[.031 in]
Overall Product Length	31.65 mm[1.246 in]
Barrel Inside Diameter	5.89 mm[.232 in]

### Usage Conditions

Insulation Option	Uninsulated
Operating Temperature Range	343 °C[649 °F]

### Operation/Application

Compatible With Wire Base Material	Nickel
Compatible With Wire Plating Material	Nickel
Heavy Duty	No

### Industry Standards

Government Qualified	No
----------------------	----

### Packaging Features

Packaging Quantity	100
Packaging Method	Loose Piece

### Product Compliance

[For compliance documentation, visit the product page on TE.com>](#)

EU RoHS Directive 2011/65/EU	Compliant
EU ELV Directive 2000/53/EC	Compliant
China RoHS 2 Directive MIIT Order No 32, 2016	No Restricted Materials Above Threshold
EU REACH Regulation (EC) No. 1907/2006	Current ECHA Candidate List: JAN 2023 (233) Candidate List Declared Against: JAN 2023 (233) Does not contain REACH SVHC
Halogen Content	Low Halogen - Br, Cl, F, I < 900 ppm per homogenous material. Also BFR/CFR/PVC Free
Solder Process Capability	Not applicable for solder process capability



Product Compliance Disclaimer

This information is provided based on reasonable inquiry of our suppliers and represents our current actual knowledge based on the information they provided. This information is subject to change. The part numbers that TE has identified as EU RoHS compliant have a maximum concentration of 0.1% by weight in homogenous materials for lead, hexavalent chromium, mercury, PBB, PBDE, DBP, BBP, DEHP, DIBP, and 0.01% for cadmium, or qualify for an exemption to these limits as defined in the Annexes of Directive 2011/65/EU (RoHS2). Finished electrical and electronic equipment products will be CE marked as required by Directive 2011/65/EU. Components may not be CE marked. Additionally, the part numbers that TE has identified as EU ELV compliant have a maximum concentration of 0.1% by weight in homogenous materials for lead, hexavalent chromium, and mercury, and 0.01% for cadmium, or qualify for an exemption to these limits as defined in the Annexes of Directive 2000/53/EC (ELV). Regarding the REACH Regulation, the information TE provides on SVHC in articles for this part number is based on the latest European Chemicals Agency (ECHA) 'Guidance on requirements for substances in articles' posted at this URL: <https://echa.europa.eu/guidance-documents/guidance-on-reach>


Compatible Parts



TE Part # 1490414-2  
HYP10 SOLIS HD 6-4AWG INDENTER



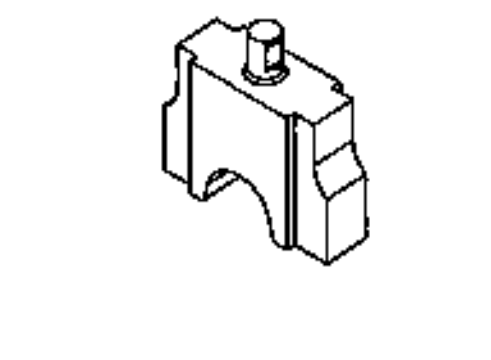
TE Part # 69217  
HYP8/10 SOLIS 6AWG DIE SET



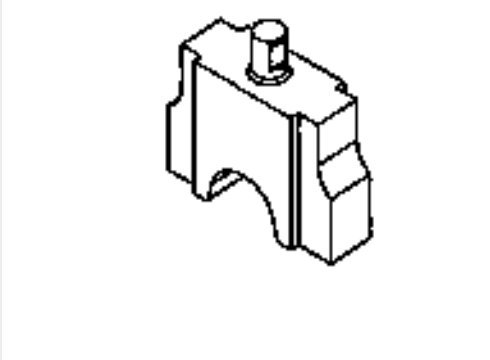
TE Part # 48127  
HYP8 SOLIS 6-2AWG INDENTER



TE Part # 1490413-2  
HYP10 SOLIS HD 8AWG NEST



TE Part # 1901000-1  
NEST #6



TE Part # 1901002-1  
INDENTER, SOLISTRAND



TE Part # 48128  
HYP8 SOLIS 6AWG NEST



TE Part # 68136  
PNEU HT SOLIS 6 ASSY

Customers Also Bought



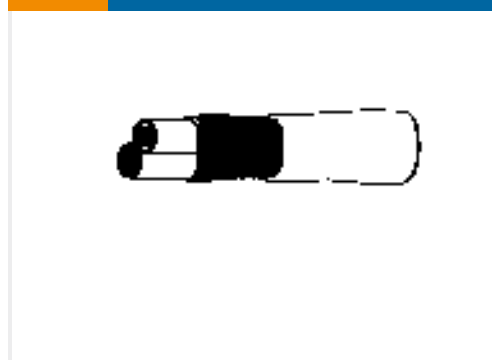
TE Part #323171  
TERMINAL,SOLIS R HR 6 5/16



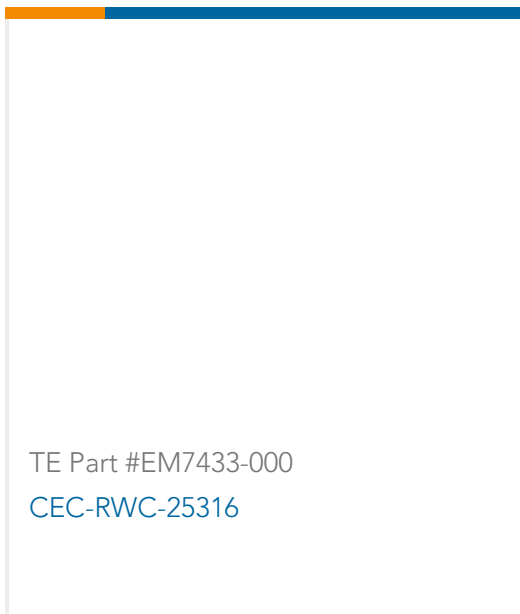
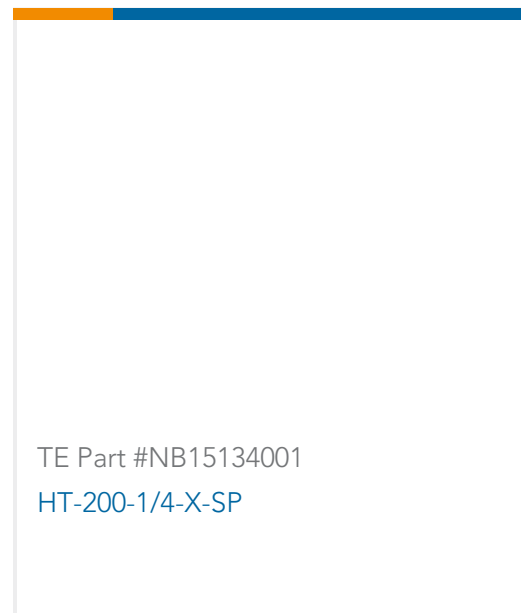
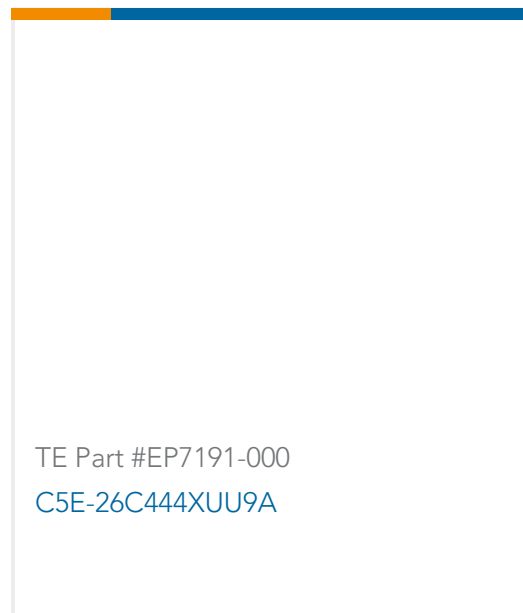
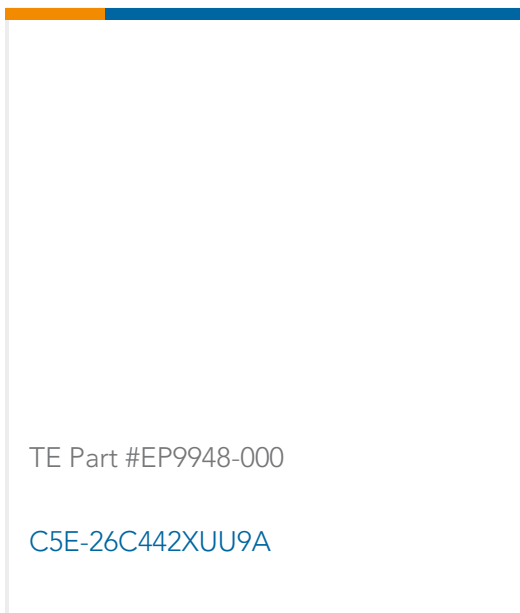
TE Part #YDTS26F25-19PAV001  
PLUG ASSY



TE Part #1490597-1  
HYP10 TERMINYL 8AWG DIE SET



TE Part #260607-000  
55A1132-22-MST3-9CS2275



## Documents

### Product Drawings

[SOLISTRAND 6 S-T HR RING 1/4](#)

English

### CAD Files

[3D PDF](#)

3D

Customer View Model

[ENG\\_CVM\\_CVM\\_1958285-1\\_A.2d\\_dxf.zip](#)

English

Customer View Model

[ENG\\_CVM\\_CVM\\_1958285-1\\_A.3d\\_igs.zip](#)

English

Customer View Model

[ENG\\_CVM\\_CVM\\_1958285-1\\_A.3d\\_stp.zip](#)

English

By downloading the CAD file I accept and agree to the [Terms and Conditions](#) of use.

### Product Specifications

[Product Specification](#)

English