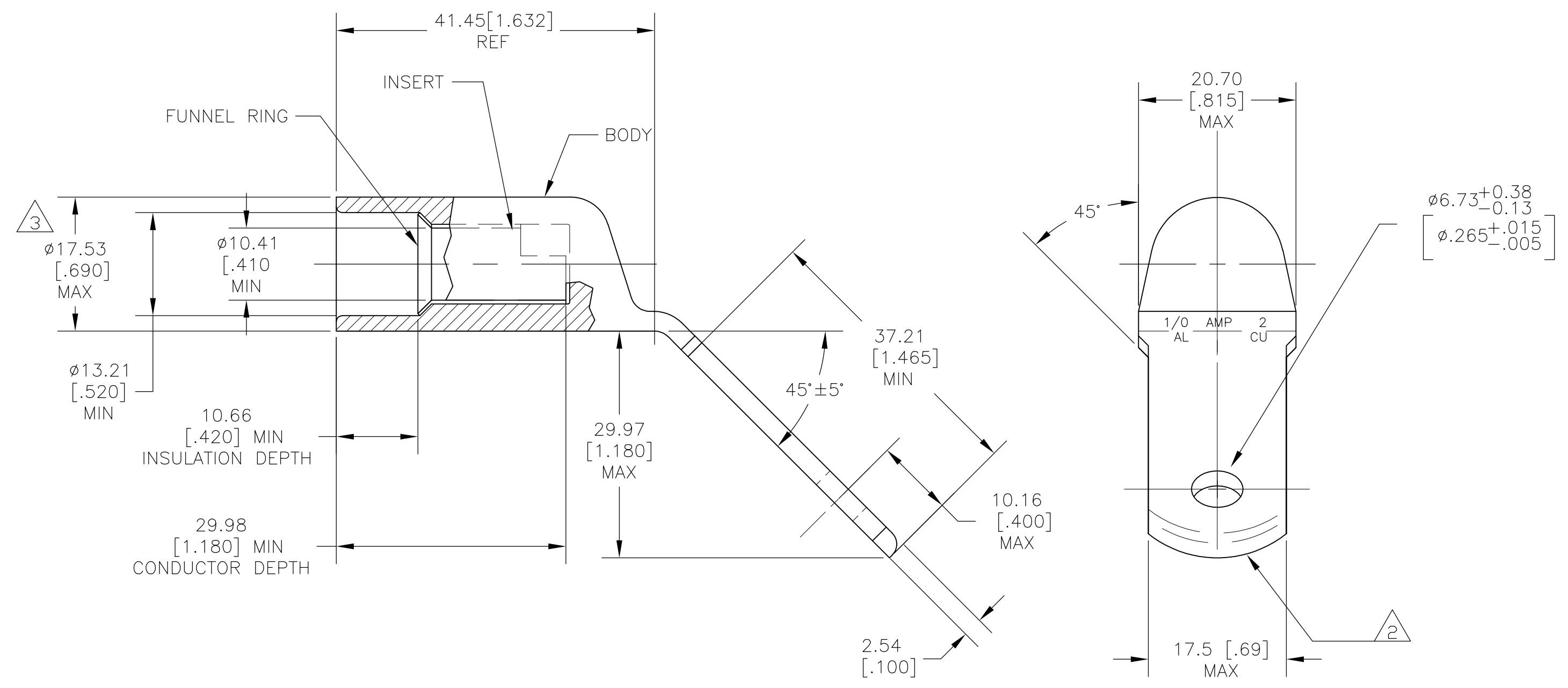


THIS DRAWING IS UNPUBLISHED. RELEASED FOR PUBLICATION
 © COPYRIGHT BY TYCO ELECTRONICS CORPORATION. ALL RIGHTS RESERVED.

LOC		DIST		REVISIONS			
P	LTR	DESCRIPTION	DATE	DWN	APVD		
	A	RELEASED PER ECO 09-010491	5-3-09	CT	JW		



- 1 WIRE INSULATION: 10.79–11.94 [.425–.470] DIA
- 2 THE TONGUE RADIUS FEATURE IS NOT A TOOLING CONTROLLED DIMENSION AND MAY NOT BE A TRUE RADIUS.
- 3 FLASH PERMITTED ±.020

BODY: COPPER ASTM-B187 ANNEALED TIN PL PER ASTM B-545 .000150 MIN THK INSERT & FUNNEL: BRASS PER ASTM B36 NICKEL PLATE SAE AMS QQ-N-290A, DATED JULY 2000, 0.00254 [.000100] MIN THK	1958195-1
MATERIAL & FINISH	PART NO.

THIS DRAWING IS A CONTROLLED DOCUMENT.		DWN jr ruth 12MAR08	Tyco Electronics Corporation Harrisburg, PA 17105-3608	
DIMENSIONS: mm [INCHES]		CHK RAY LONDON 12MAR08	NAME RAY LONDON	
TOLERANCES UNLESS OTHERWISE SPECIFIED:		APVD RAY LONDON 12MAR08	PRODUCT SPEC	
0 PLC ± - 1 PLC ± - 2 PLC ± 0.51[.020] 3 PLC ± - 4 PLC ± - ANGLES ± ± -		APPLICATION SPEC		
MATERIAL SEE TABLE	FINISH SEE TABLE	WEIGHT -	SIZE A2	CAGE CODE 00779
CUSTOMER DRAWING		DRAWING NO 1958195	RESTRICTED TO	
		SCALE 2:1	SHEET 1 OF 1	REV A

1958195