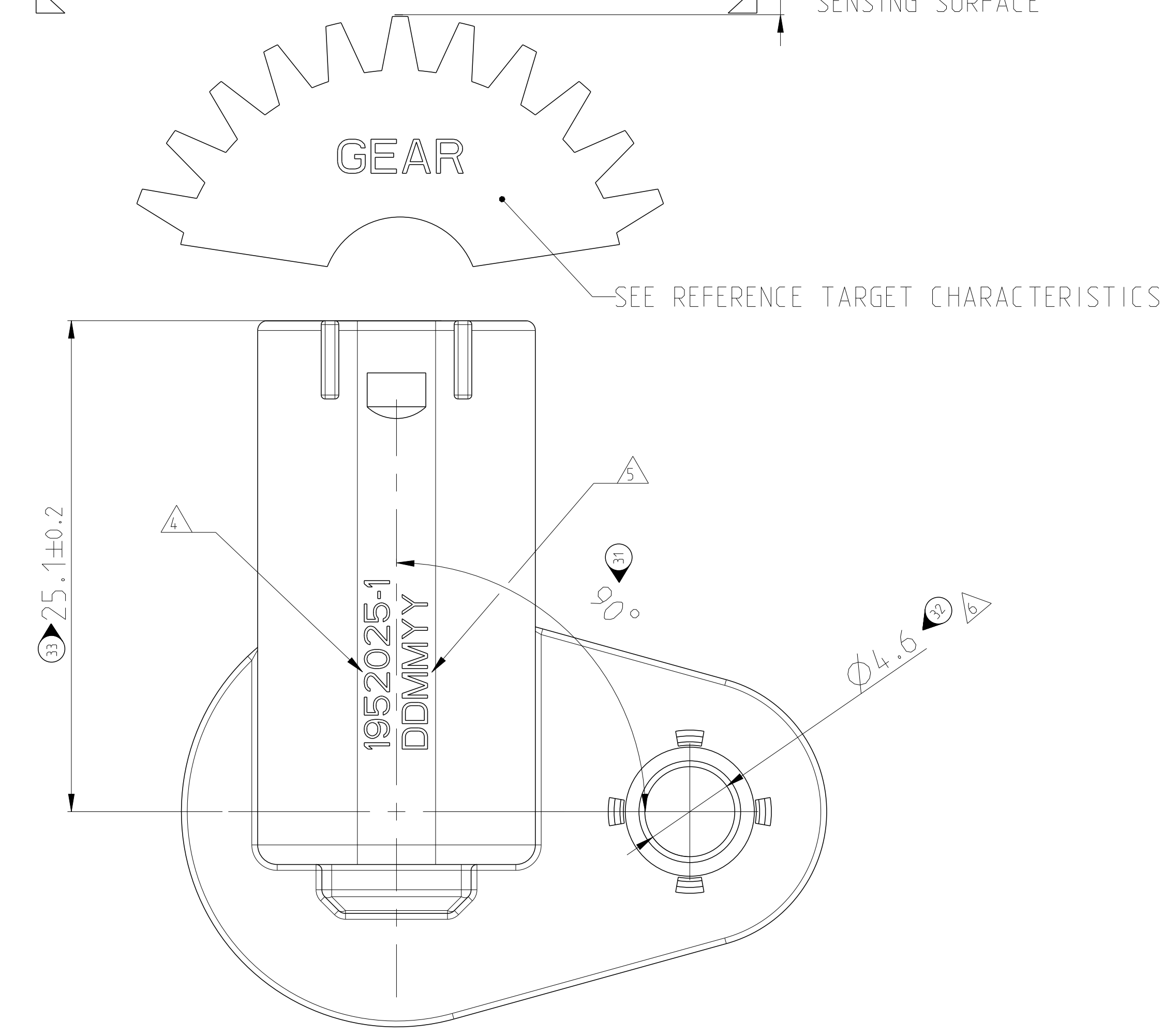
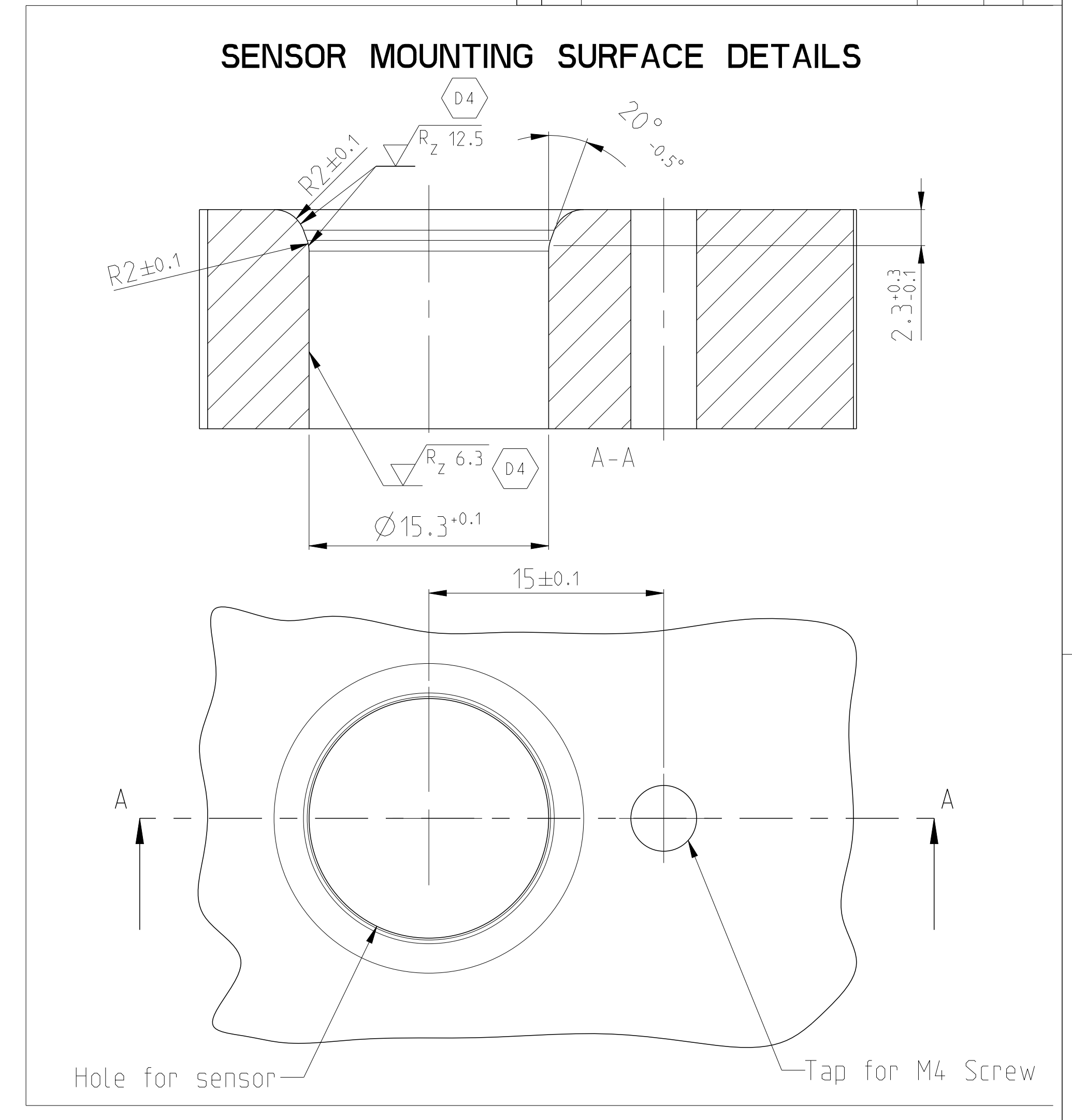
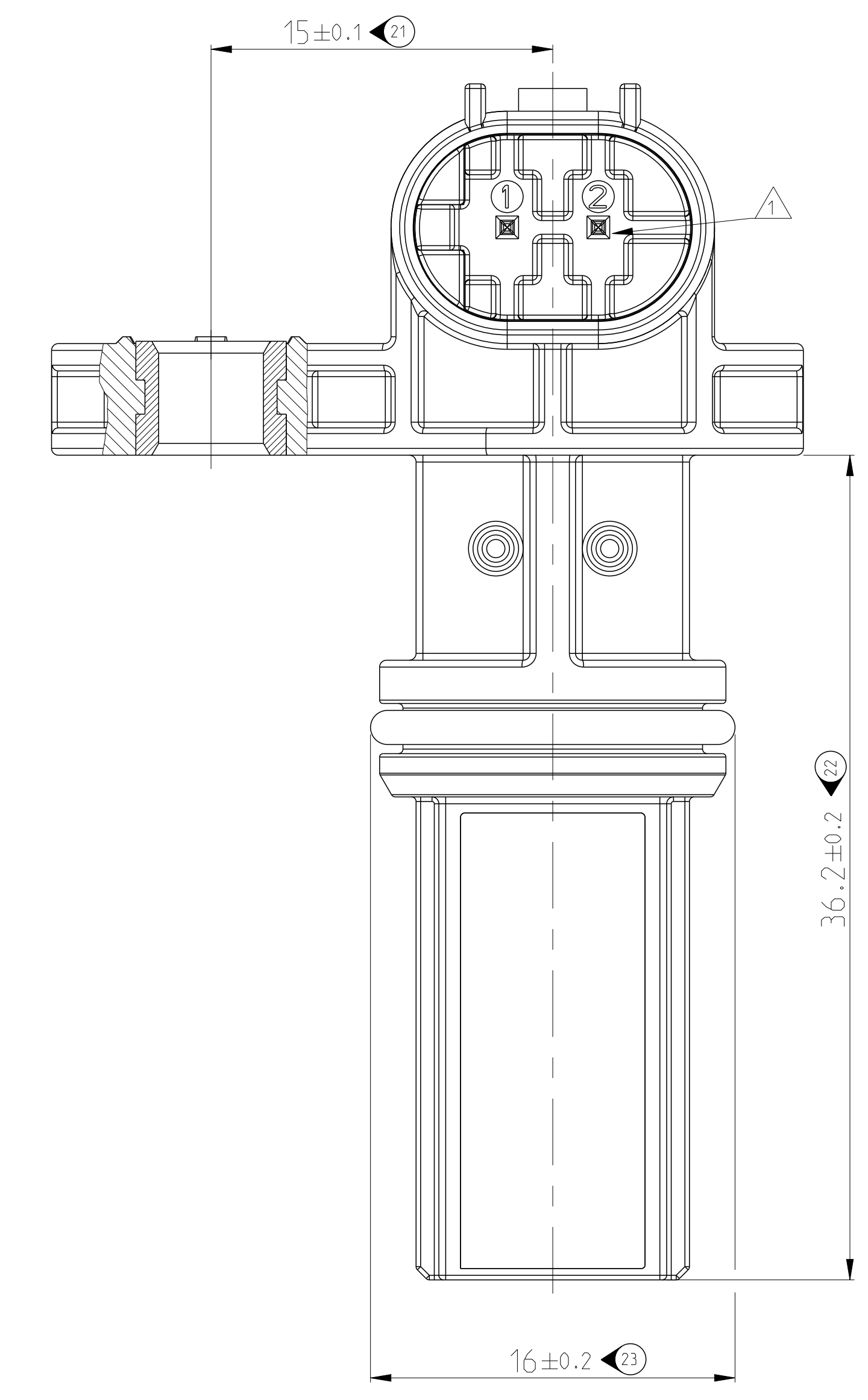
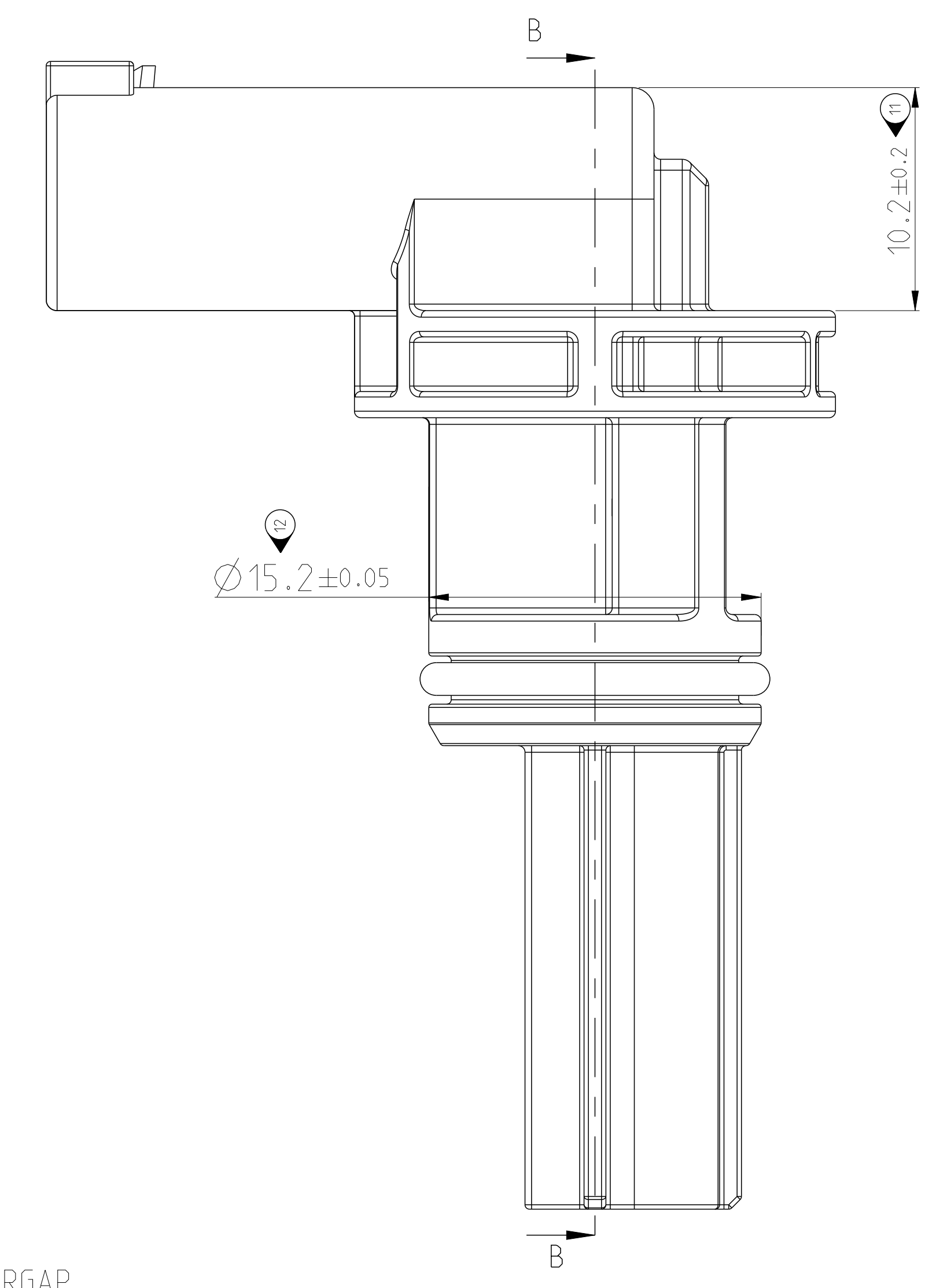
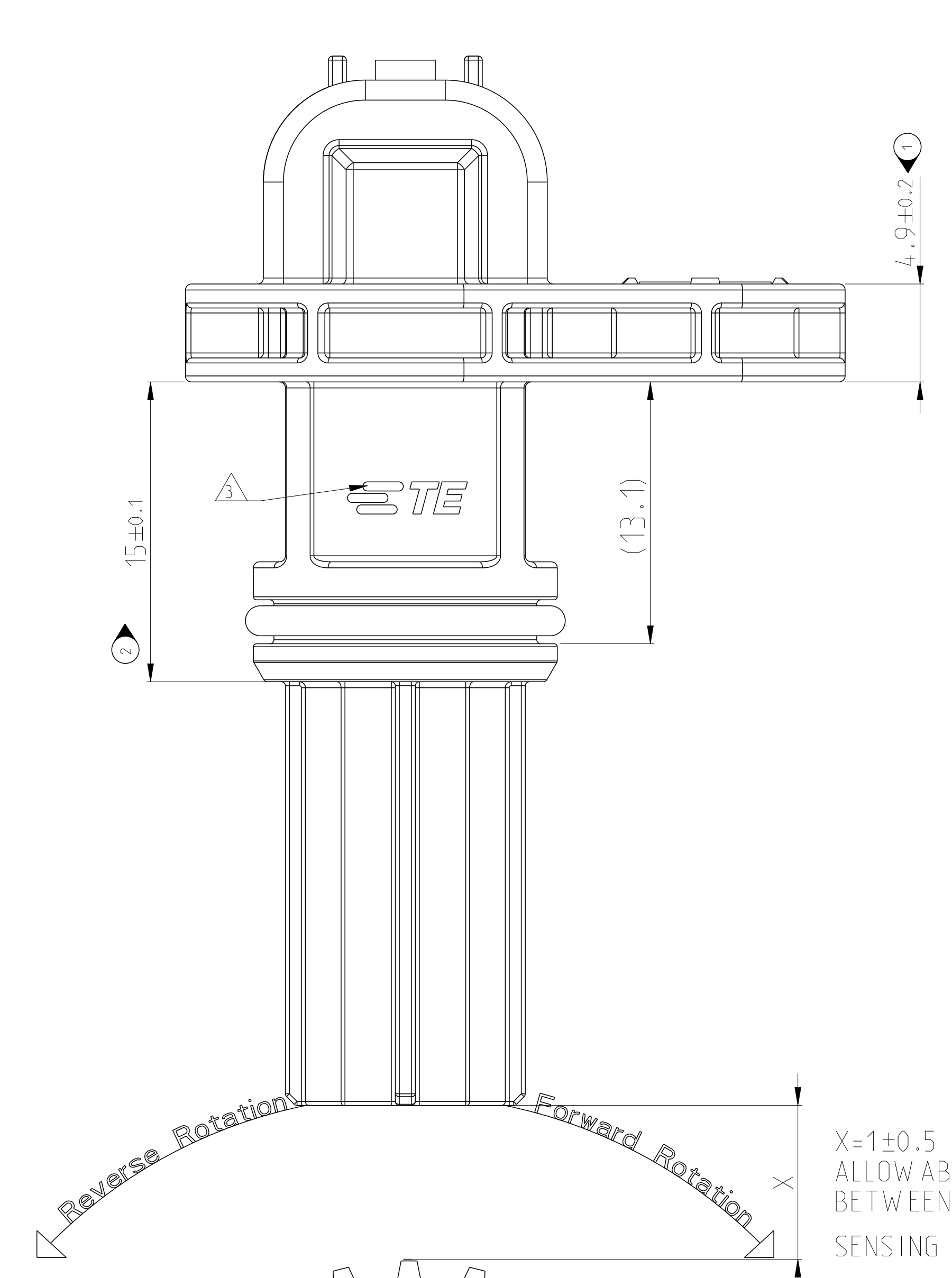


REV	DATE	DESCRIPTION	BY	CHK	APPD
D1	27.AUG.2008	O-Ring material info corrected in the BOM	SPB	SP	
D2	24.AUG.2008	Updated Tolerance of sensor mounting surface	SPB	SP	
D3	16.AUG.2009	Weight info. added in the BOM	SPB	SP	
D4	23.AUG.2009	customer interface surface finish details updated	SPB	SP	



PIN ALLOCATION SCHEDULE

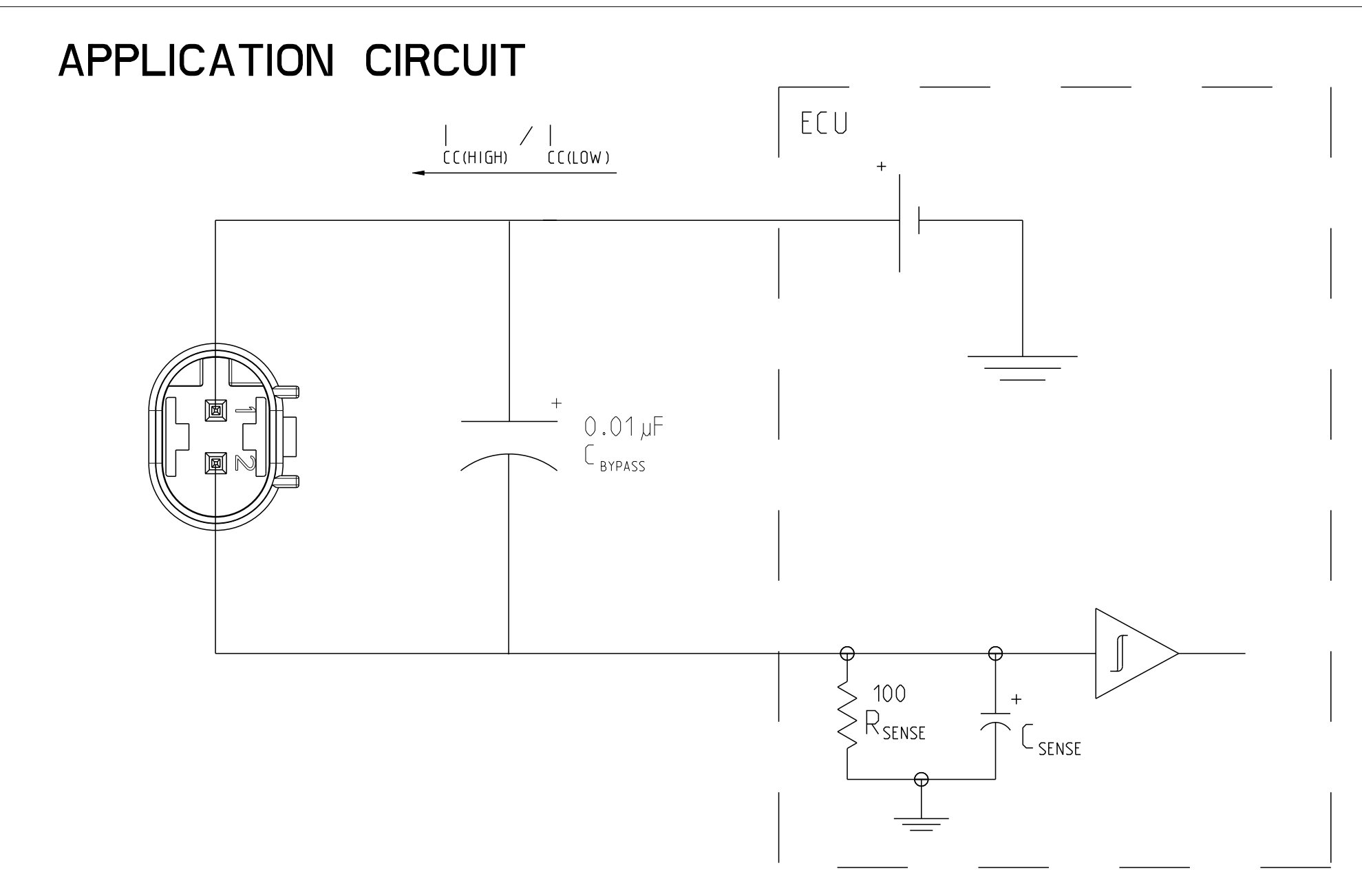
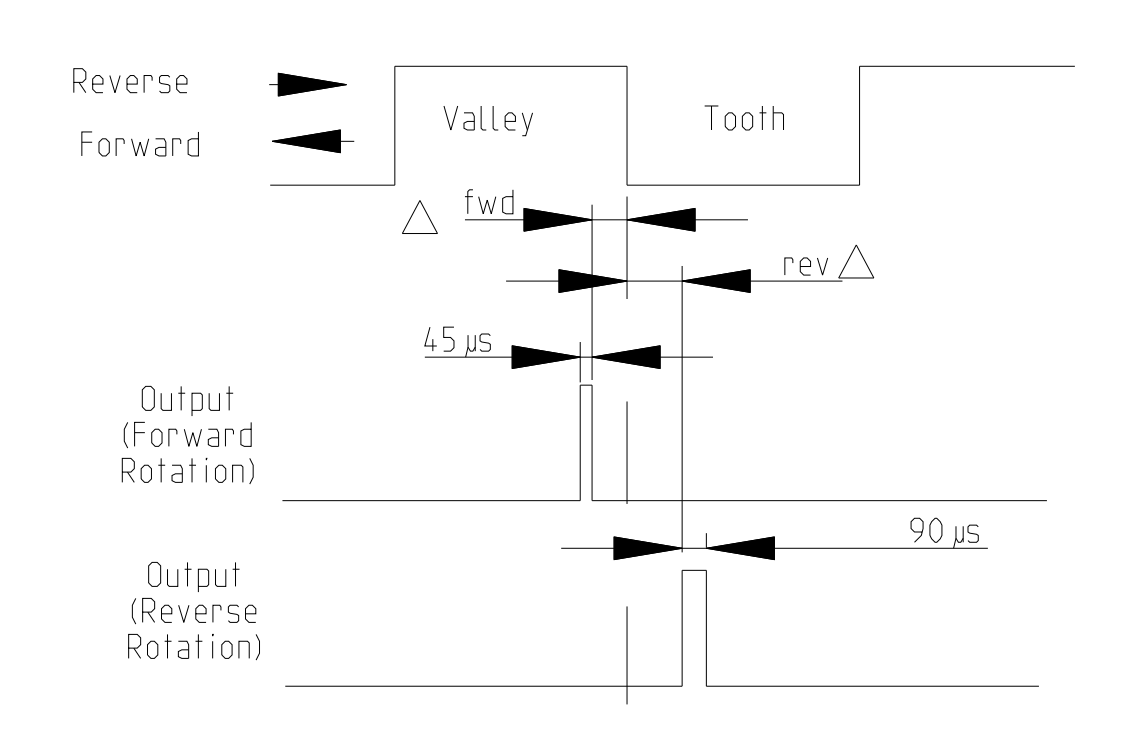
PIN	FUNCTION
2	OUTPUT
1	INPUT 'I _{CC} '

- ① △ MATING CONNECTOR TE PN 1-967644-1 CODE A, 2POS INTERFACE ACCORDING TO SPEC 114-18063-122
- ② 2. TEST ACCORDING TO EOL SPEC 109-64001
- ③ △ TE LOGO DEEPEMED
- ④ △ TE PN - PRINTED AFTER POSITIVE EOL TEST
- ⑤ △ PRODUCTION DATE CODE FORMAT - DDMYY - PRINTED AFTER POSITIVE EOL TEST
- △ BUSH SUITABLE FOR M4 BOLT/SCREW

*Operational Air Gap Range is dependent on the available differential magnetic field. The available field is dependent of target geometry and material, and should be independently characterized. The field available from the Reference Target is given in the Reference Target Parameters.

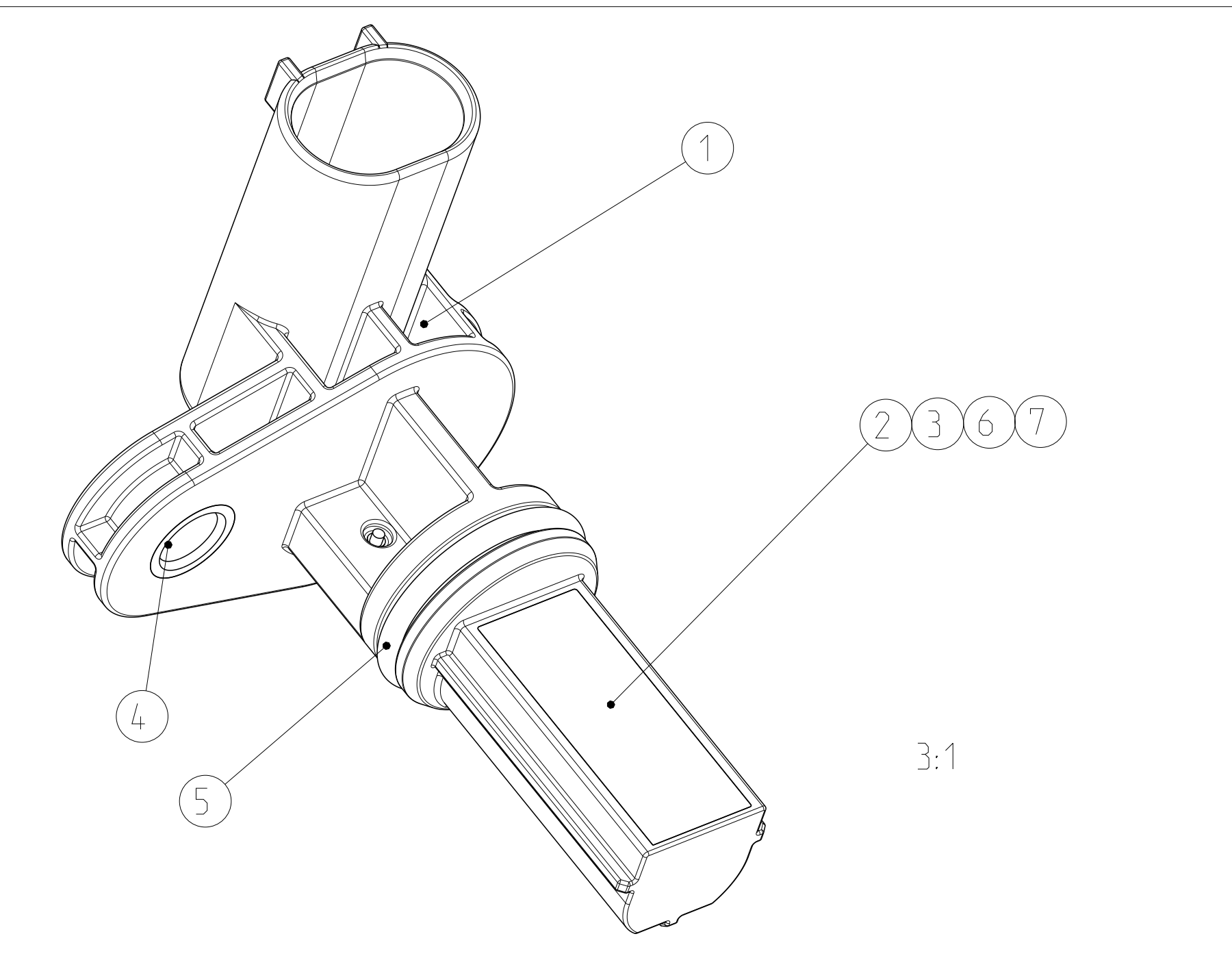
EOL TEST CHARACTERISTICS

Temperature 25±10 °C
 Supply Voltage 13.5±0.5V
 Air gap 1.5mm±0.05mm
 Reference Gearwheel see Target Characteristics
 Speed of Wheel 5000 rpm
 Number of pulses 60 Tooth
 Frequency 5000 Hz
 Pulse forward 45 µs
 Pulse reverses 90 µs
 Missed pulse / revolution = ZERO



REFERENCE TARGET CHARACTERISTICS

Characteristics	Symbol	Test Conditions	Typ. Units	Symbol Key
Outside Diameter	D _o	Outside diameter of target	120 mm	
Face Width	F	Breadth of tooth, with respect to sensor	6 mm	
Circular Tooth Length	t	Length of tooth, with respect to sensor; measured at D _o	3 mm	
Circular Valley Length	t _v	Length of valley, with respect to sensor; measured at D _o	3 mm	
Tooth Whole Depth	h ₁		3 mm	
Material		Low Carbon Steel	-	



ASSY P/N	WEIGHT (g)	QTY	COLOUR	MATERIAL	DESCRIPTION	POS	
1952025-1	10		BLACK	EPOXONIC	POTTING	7	
			1	-	HALL IC. AT5692	6	
			1	BLACK	VITON (GLT)	O-RING	5
			1	-	CuZn39Pb3	BUSH	4
			1	-	-	PCB	3
			2	-	CuFe2	CONTACT PIN	2
			1	BLACK	PA 66 GF25	SENSOR HOUSING	1

THIS DRAWING IS A CONTROLLED DOCUMENT. DATE: 16.FEB.2008
 Uday M. Bhat, CHG, 16.FEB.2008
 DIMENSIONS: 1:1
 MATERIAL: - FINISH: -
 WEIGHT: 10gms
 SCALE: 4:1