

MC 1,5/ 4-G-3,81 THT-R32


Discontinued item

Order No.: 1945449



<http://eshop.phoenixcontact.de/phoenix/treeViewClick.do?UID=1945449>

Header, Nominal current: 8 A, Rated voltage (III/2): 160 V,
Number of positions: 4, Pitch: 3.81 mm, Color: Black, Assembly:
Taped SMD/THT/THR components, User information and design
recommendations on through hole reflow technology can be found at:
<http://www.combicon.com>

| Commercial data | |
|--------------------------|--|
| GTIN (EAN) |  4 017918 858391 |
| Note | Made-to-order |
| sales group | E171 |
| Pack | 470 pcs. |
| Customs tariff | 85366990 |
| Catalog page information | Page 162 (CC-2009) |

Product notes

WEEE/RoHS-compliant since:
01/01/2003



<http://www.download.phoenixcontact.com>
Please note that the data given here has been taken from the online catalog. For comprehensive information and data, please refer to the user documentation. The General Terms and Conditions of Use apply to Internet downloads.

Certificates / Approvals

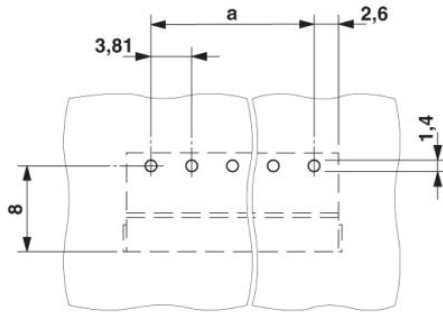


Certification

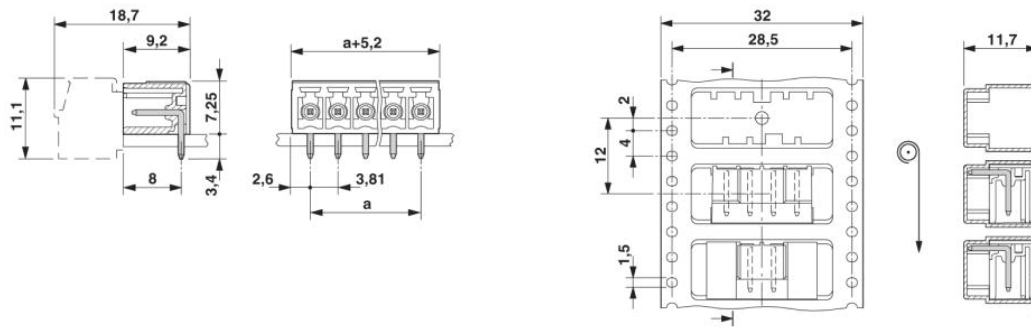
CB, CUL, UL, VDE-PZI

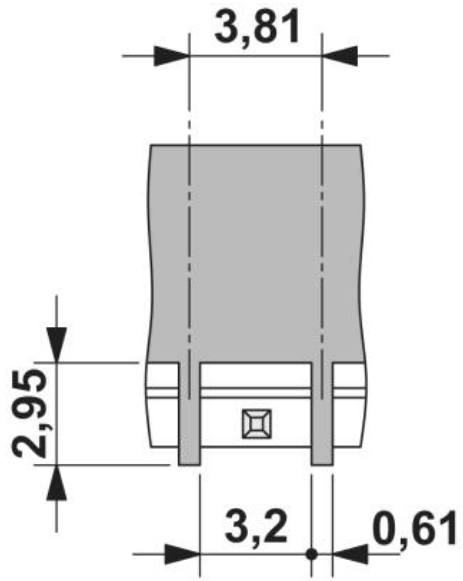
Diagrams/Drawings

Drilling plan/solder pad geometry



Dimensioned drawing





Address

PHOENIX CONTACT Inc., USA
586 Fulling Mill Road
Middletown, PA 17057, USA
Phone (800) 888-7388
Fax (717) 944-1625
<http://www.phoenixcon.com>



© 2011 Phoenix Contact
Technical modifications reserved;