

PLEASE CHECK WWW.MOLEX.COM FOR LATEST PART INFORMATION

Part Number: [19436-0414](#)
Status: **Active**
Overview: MX150L™ Sealed Connector System
Description: MX150L™ 4 Circuit Rear Mount Flange Sealed Panel Mount Plug for 8 AWG Wire, without Gasket

Documents:

[3D Model](#) [RoHS Certificate of Compliance \(PDF\)](#)
[Drawing \(PDF\)](#) [Product Literature \(PDF\)](#)
[Product Specification PS-19432-001 \(PDF\)](#)

General

Product Family	Crimp Housings
Series	19436
Application	Power, Wire-to-Wire
Comments	Mat Seal Color Red, Polarized to Mating Part. IP67 rated; conforms to UL 1977. NOT suitable for automotive applications with requirements such as USCAR-2, USCAR-25, GMW3191, AK Testing, J2030, Volvo Technology Requirements, and Toyota Connector Spec (TCS)
Overview	MX150L™ Sealed Connector System
Product Literature Order No	987650-2181
Product Name	MX150L™
UPC	800756731858

Physical

Circuits (maximum)	4
Circuits Detail	2x2
Gender	Plug
Glow-Wire Compliant	No
Keying to Mating Part	N/A
Lock to Mating Part	Yes
Number of Rows	2
Packaging Type	Bag
Panel Mount	Yes
Pitch - Mating Interface	7.62mm
Pitch - Termination Interface	7.62mm
Polarized to Mating Part	No
Ports	1
Stackable	No
Temperature Range - Operating	-40°C to +125°C

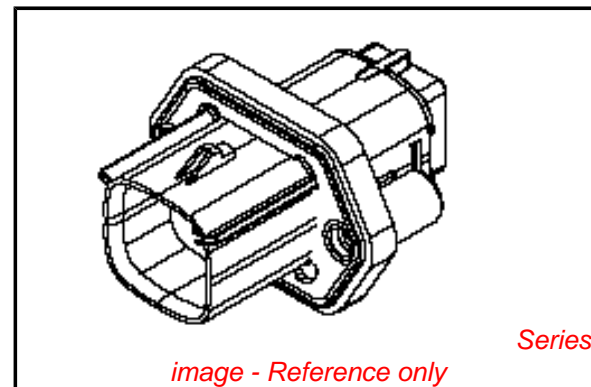
Electrical

Current - Maximum per Contact	40A
-------------------------------	-----

Material Info

Reference - Drawing Numbers

Product Specification	PS-19432-001
Sales Drawing	SD-19436-002



EU RoHS

ELV and RoHS Compliant
REACH SVHC
 Not Reviewed
Low-Halogen Status
 Not Reviewed

China RoHS



Need more information on product environmental compliance?

Email productcompliance@molex.com
 For a multiple part number RoHS Certificate of Compliance, [click here](#)

Please visit the [Contact Us](#) section for any non-product compliance questions.

Search Parts in this Series

[19436Series](#)

Mates With

[19432 Receptacle](#)

Use With