

**PLEASE CHECK WWW.MOLEX.COM FOR LATEST PART INFORMATION**

**Part Number:** [19436-0212](#)  
**Status:** **Active**  
**Overview:** MX150L™ Sealed Connector System  
**Description:** MX150L™ 2 Circuit Rear Mount Flange Sealed Panel Mount Plug for 8 AWG Wire, without Gasket

**Documents:**

[3D Model](#) [RoHS Certificate of Compliance \(PDF\)](#)  
[Drawing \(PDF\)](#) [Product Literature \(PDF\)](#)  
[Product Specification PS-19432-001 \(PDF\)](#)

**General**

Product Family	Crimp Housings
Series	<a href="#">19436</a>
Application	Power, Wire-to-Wire
Comments	Mat Seal Color Red, Polarized to Mating Part. IP67 rated; conforms to UL 1977. NOT suitable for automotive applications with requirements such as USCAR-2, USCAR-25, GMW3191, AK Testing, J2030, Volvo Technology Requirements, and Toyota Connector Spec (TCS)
Overview	<a href="#">MX150L™ Sealed Connector System</a>
Product Literature Order No	987650-2181
Product Name	MX150L™
UPC	800756904795

**Physical**

Circuits (maximum)	2
Circuits Detail	1x1
Gender	Plug
Glow-Wire Compliant	No
Keying to Mating Part	N/A
Lock to Mating Part	Yes
Number of Rows	1
Packaging Type	Bag
Panel Mount	Yes
Pitch - Mating Interface	7.62mm
Pitch - Termination Interface	7.62mm
Polarized to Mating Part	No
Ports	1
Stackable	No
Temperature Range - Operating	-40°C to +125°C

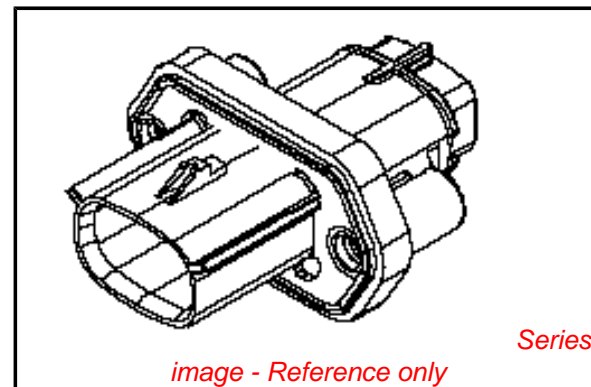
**Electrical**

Current - Maximum per Contact	40A
-------------------------------	-----

**Material Info**

**Reference - Drawing Numbers**

Product Specification	PS-19432-001
Sales Drawing	SD-19436-001



**EU RoHS**

**ELV and RoHS Compliant**  
**REACH SVHC Not Reviewed**  
**Low-Halogen Status Not Reviewed**

**China RoHS**



**Need more information on product environmental compliance?**

Email [productcompliance@molex.com](mailto:productcompliance@molex.com)  
 For a multiple part number RoHS Certificate of Compliance, [click here](#)

Please visit the [Contact Us](#) section for any non-product compliance questions.

**Search Parts in this Series**

[19436Series](#)

**Mates With**

[19432 Receptacle](#)

**Use With**