

**PLEASE CHECK WWW.MOLEX.COM FOR LATEST PART INFORMATION**

**Part Number:** [19427-0029](#)  
**Status:** **Active**  
**Overview:** [MX150L™ Sealed Connector System](#)  
**Description:** [MX150L™ Gasket for 10 Circuit Plug Housing with Flange](#)

**Documents:**

[3D Model](#) [RoHS Certificate of Compliance \(PDF\)](#)  
[Drawing \(PDF\)](#) [Product Literature \(PDF\)](#)

**General**

Product Family	Accessories
Series	<a href="#">19427</a>
Component Type	Gasket
Overview	<a href="#">MX150L™ Sealed Connector System</a>
Product Literature Order No	987650-2181
Product Name	MX150L™
UPC	822348563562

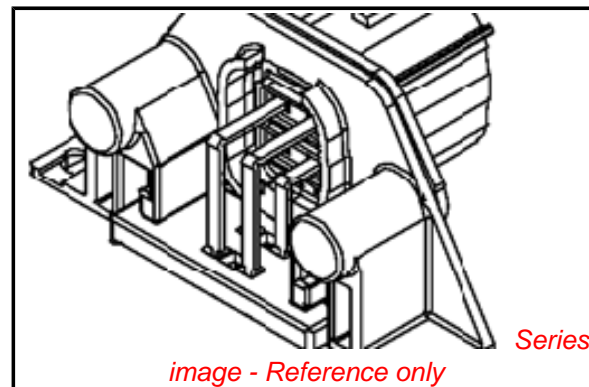
**Physical**

Circuits (Loaded)	10
Gender	N/A
Net Weight	1.919/g
Packaging Type	Bag

**Material Info**

**Reference - Drawing Numbers**

Sales Drawing	SD-19427-026
---------------	--------------



*image - Reference only*

**EU RoHS**

**ELV and RoHS  
Compliant**  
**REACH SVHC**  
 Not Reviewed  
**Low-Halogen Status**  
 Not Reviewed

**China RoHS**



**Need more information on product  
environmental compliance?**

Email [productcompliance@molex.com](mailto:productcompliance@molex.com)  
 For a multiple part number RoHS Certificate of  
 Compliance, [click here](#)

Please visit the [Contact Us](#) section for any  
 non-product compliance questions.

**Search Parts in this Series**

[19427Series](#)

**Use With**

[19429-0005 MX150L™ Panel Mount Plug](#)