

PLEASE CHECK WWW.MOLEX.COM FOR LATEST PART INFORMATION

Part Number: [19427-0025](#)
Status: **Active**
Overview: [MX150L™ Sealed Connector System](#)
Description: [MX150L™ Gasket for 2 Circuit Plug Housing with Flange](#)

Documents:

[3D Model](#) [RoHS Certificate of Compliance \(PDF\)](#)
[Drawing \(PDF\)](#) [Product Literature \(PDF\)](#)

General

Product Family	Accessories
Series	19427
Component Type	Gasket
Overview	MX150L™ Sealed Connector System
Product Literature Order No	987650-2181
Product Name	MX150L™
UPC	822348563524

Physical

Circuits (Loaded)	2
Gender	N/A
Net Weight	1.016/g
Packaging Type	Bag

Material Info

Reference - Drawing Numbers

Sales Drawing	SD-19427-026
---------------	--------------

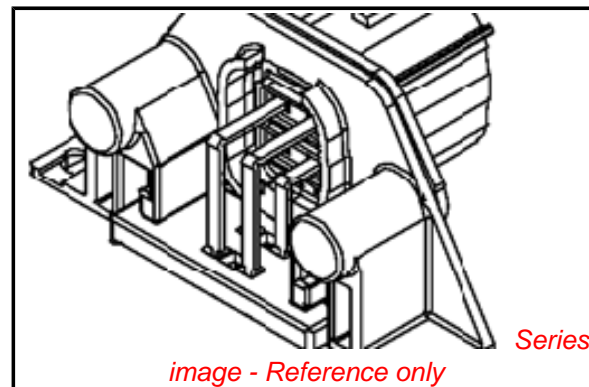


image - Reference only

EU RoHS

**ELV and RoHS
Compliant**
REACH SVHC
 Not Reviewed
Low-Halogen Status
 Not Reviewed

China RoHS



**Need more information on product
environmental compliance?**

Email productcompliance@molex.com
 For a multiple part number RoHS Certificate of
 Compliance, [click here](#)

Please visit the [Contact Us](#) section for any
 non-product compliance questions.

Search Parts in this Series

[19427Series](#)

Use With

[19429-0005 MX150L™ Panel Mount Plug](#)