

1939983-1 ✓ ACTIVE



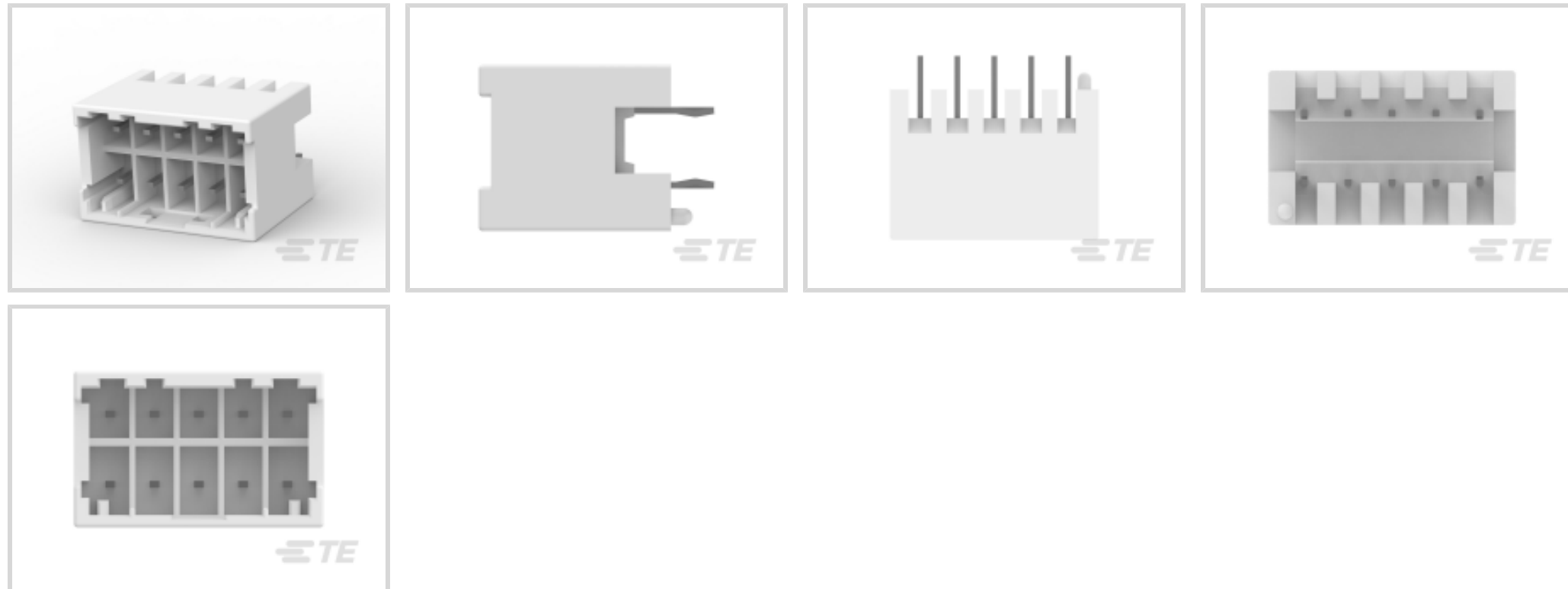
GRACE INERTIA 3.3

TE Internal #: 1939983-1

Rectangular Power Connectors, Header, Receptacle, Wire-to-Board, 10 Position, 3.3 mm [.129 in] Centerline, Printed Circuit Board, GRACE INERTIA 3.3

[View on TE.com >](#)

Connectors > Power Connectors > Rectangular Power > Rectangular Power Connectors



Rectangular Power Connector Type: **Header**

Connector & Housing Type: **Receptacle**

Connector System: **Wire-to-Board**

Number of Positions: **10**

Centerline (Pitch): **3.3 mm [.129 in]**

Features

Product Type Features

Header Type	Fully Shrouded
Rectangular Power Connector Type	Header
Connector & Housing Type	Receptacle
Connector System	Wire-to-Board
Sealable	No
Connector & Contact Terminates To	Printed Circuit Board

Configuration Features

Number of Positions	10
PCB Mount Orientation	Vertical
Number of Power Positions	10
Number of Signal Positions	2
Number of Rows	2

Electrical Characteristics

Operating Voltage	250 VDC
-------------------	---------



Body Features

Connector & Keying Code	A
-------------------------	---

Contact Features

PCB Contact Termination Area Plating Material Thickness	2 μm [78.74 μin]
---------------------------------------------------------	-----------------------------------------

Contact Layout	Matrix
----------------	--------

Mating Tab Width	.7 mm[.028 in]
------------------	----------------

Contact Underplating Material Thickness	1.27 μm [50 μin]
-----------------------------------------	-----------------------------------------

Contact Mating Area Plating Material	Tin
--------------------------------------	-----

Contact Underplating Material	Nickel
-------------------------------	--------

Contact Base Material	Brass
-----------------------	-------

Contact Current Rating (Max)	4 A
------------------------------	-----

Contact Retention Within Housing	With
----------------------------------	------

Contact Type	Tab
--------------	-----

PCB Contact Termination Area Plating Material	Tin
-----------------------------------------------	-----

Contact Mating Area Plating Material Thickness	.8 μm [31.49 μin]
------------------------------------------------	------------------------------------------

Termination Features

Termination Post & Tail Length	3 mm[.118 in]
--------------------------------	---------------

Termination Method to Printed Circuit Board	Through Hole - Solder
---------------------------------------------	-----------------------

Mechanical Attachment

PCB Mount Alignment Type	Boss
--------------------------	------

Strain Relief	Without
---------------	---------

Mating Alignment Type	Keyed
-----------------------	-------

Mating Retention	With
------------------	------

Mating Alignment	With
------------------	------

PCB Mount Alignment	With
---------------------	------

Panel Mount Feature	Without
---------------------	---------

PCB Mount Retention	With
---------------------	------

PCB Mount Retention Type	Kinked
--------------------------	--------

Mating Retention Type	Latch
-----------------------	-------

Connector Mounting Type	Board Mount
-------------------------	-------------

Housing Features

Centerline (Pitch)	3.3 mm[.129 in]
--------------------	-----------------



Housing Color	Natural
---------------	---------

Housing Material	Nylon 6/6 GF
------------------	--------------

Dimensions

Connector Height	13.4 mm[.527 in]
------------------	------------------

PCB Thickness (Recommended)	.06 mm[1.6 in]
-----------------------------	----------------

Product Length	18.6 mm
----------------	---------

Wire Size	414.44 – 1045.97 CMA
-----------	----------------------

Row-to-Row Spacing	5.2 mm[.205 in]
--------------------	-----------------

Usage Conditions

Operating Temperature Range	-30 – 105 °C[-22 – 221 °F]
-----------------------------	----------------------------

Operation/Application

Circuit Application	Power & Signal
---------------------	----------------

Industry Standards

UL Flammability Rating	UL 94V-0
------------------------	----------

Glow Wire Rating	GWT 750°C (Without Flame)
------------------	---------------------------

Packaging Features

Packaging Quantity	200
--------------------	-----

Packaging Method	Box & Tray
------------------	------------

Product Compliance

[For compliance documentation, visit the product page on TE.com>](#)

EU RoHS Directive 2011/65/EU	Compliant
------------------------------	-----------

EU ELV Directive 2000/53/EC	Compliant
-----------------------------	-----------

China RoHS 2 Directive MIIT Order No 32, 2016	No Restricted Materials Above Threshold
-----------------------------------------------	-----------------------------------------

EU REACH Regulation (EC) No. 1907/2006	Current ECHA Candidate List: JUNE 2023 (235) Candidate List Declared Against: JUNE 2023 (235) Does not contain REACH SVHC
----------------------------------------	---------------------------------------------------------------------------------------------------------------------------------

Halogen Content	Not Low Halogen - contains Br or Cl > 900 ppm.
-----------------	------------------------------------------------

Solder Process Capability	Wave solder capable to 265°C
---------------------------	------------------------------

Product Compliance Disclaimer

This information is provided based on reasonable inquiry of our suppliers and represents our current actual knowledge based on the information they provided. This information is subject to change. The part numbers that TE has identified as EU RoHS compliant have a maximum concentration of 0.1% by weight in homogenous materials for lead, hexavalent chromium, mercury, PBB, PBDE, DBP, BBP, DEHP, DIBP, and 0.01% for cadmium, or qualify for an exemption to these limits as defined in the Annexes of Directive 2011/65/EU (RoHS2). Finished electrical and electronic equipment products will be CE marked as required by Directive 2011/65/EU. Components may not be CE marked. Additionally, the part numbers that TE has identified as EU ELV compliant have a maximum concentration of 0.1% by weight in homogenous materials for lead, hexavalent chromium, and mercury, and 0.01% for cadmium, or qualify for an exemption to these limits as defined in the Annexes of Directive 2000/53/EC (ELV). Regarding the REACH Regulation, the information TE provides on SVHC in articles for this part number is based on the latest European Chemicals Agency (ECHA) 'Guidance on requirements for substances in articles' posted at this URL: <https://echa.europa.eu/guidance-documents/guidance-on-reach>

Compatible Parts



TE Part # 3-1971906-4
HEADER ASSY 8POS,KEYING-C,NEW GIC3.3



TE Part # 1-1971906-6
HEADER ASSY 12POS,KEYING-A, NEW GIC3.3



TE Part # 4-1971906-4
HEADER ASSY 8POS,KEYING-D,NEW GIC3.3



TE Part # 1939984-1
GIC 3.3 PLUG HSG 10POS. 2ROW GIC3.3



TE Part # 1981065-1
GIC 3.3 10P DBL LOCK PLATE (2ROW, M TYPE)



TE Part # 1-1971906-5
HEADER ASSY 10POS,KEYING-A, NEW GIC3.3



TE Part # 1871568-1
GIC 3.3 HDR ASSY 6POS 1-ROW KINK



TE Part # 1871571-1
GIC 3.3 HDR ASSY 12POS KINK



TE Part # 2-1827391-1
GIC 3.3 HDR ASSY BLUE WITH KINK



TE Part # 2-1871571-3
GIC 3.3 HEADER ASSY 12POS



TE Part # 2-1939983-3
GIC 3.3 HDR ASSY 10P 2ROW BLUE



TE Part # 2-1971906-5
HEADER ASSY 10POS,KEYING-B,NEW GIC3.3



TE Part # 2-1971906-6
HEADER ASSY 12POS,KEYING-B,NEW GIC3.3



TE Part # 3-1971906-5
HEADER ASSY 10POS,KEYING-C, NEW GIC3.3



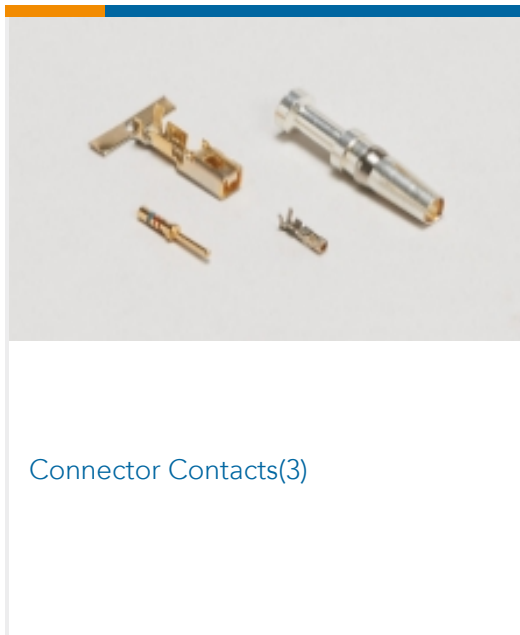
TE Part # 4-1971906-5
HEADER ASSY 10POS,KEYING-D, NEW GIC3.3



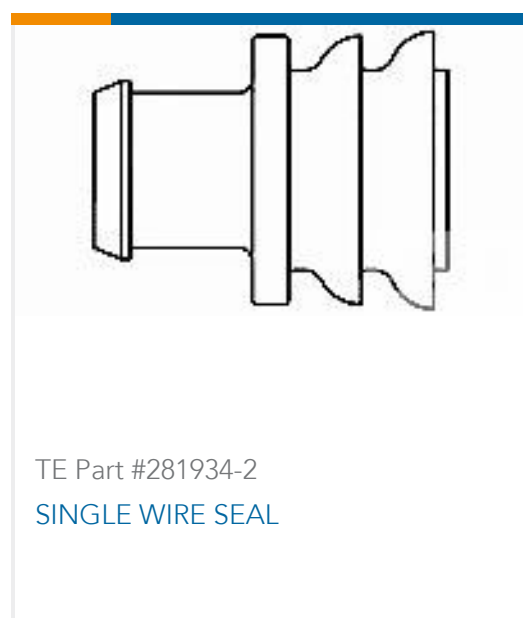
TE Part # 4-1971906-6
HEADER ASSY 12POS,KEYING-D, NEW GIC3.3



Also in the Series | **GRACE INERTIA 3.3**



Customers Also Bought



Documents

Product Drawings

[GIC3.3 HDR ASS'Y 10POS 2ROW](#)

English

CAD Files

[3D PDF](#)

[3D](#)



Customer View Model

[ENG_CVM_CVM_1939983-1_D_c-1939983-1-d.2d_dxf.zip](#)

English

Customer View Model

[ENG_CVM_CVM_1939983-1_D_c-1939983-1-d.3d_igs.zip](#)

English

Customer View Model

[ENG_CVM_CVM_1939983-1_D_c-1939983-1-d.3d_stp.zip](#)

English

By downloading the CAD file I accept and agree to the [Terms and Conditions](#) of use.

Product Specifications

[Application Specification](#)

Japanese

[GRACE INERTIA CONNECTOR 3.3 CONTACT](#)

Japanese