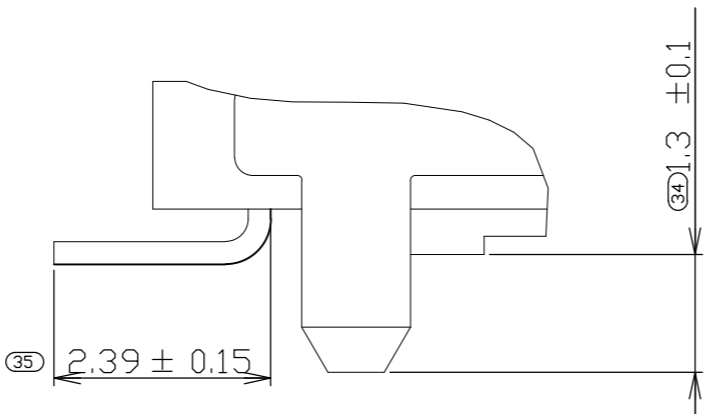
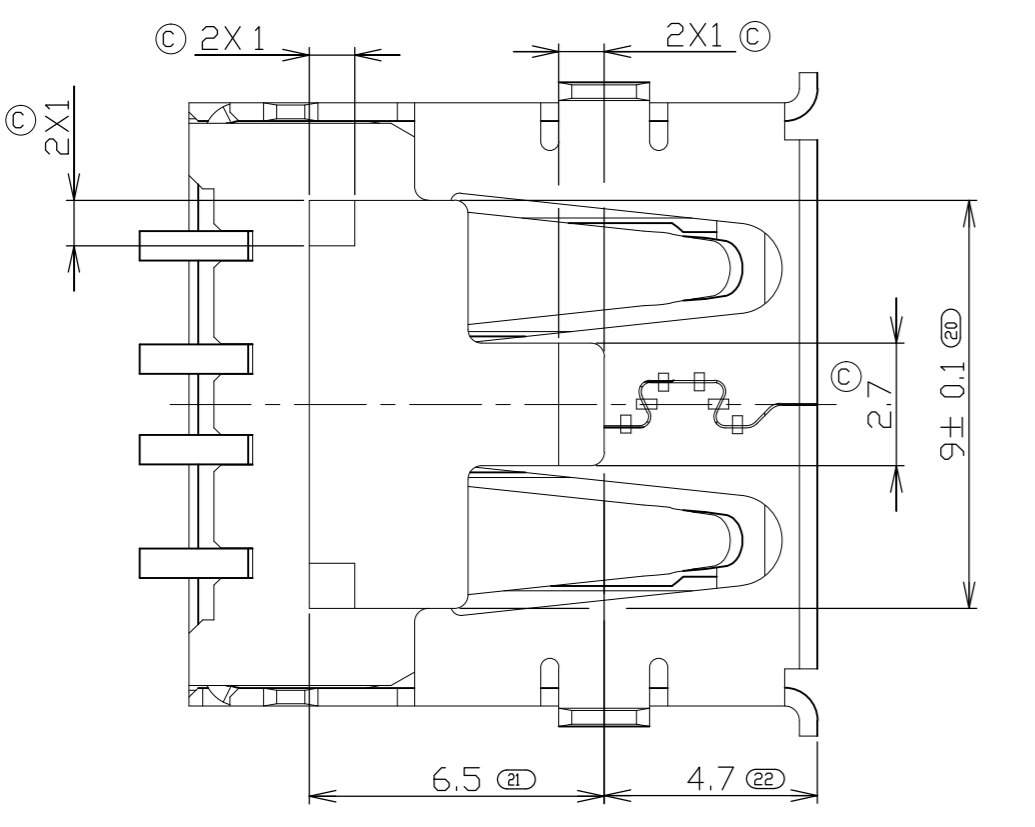
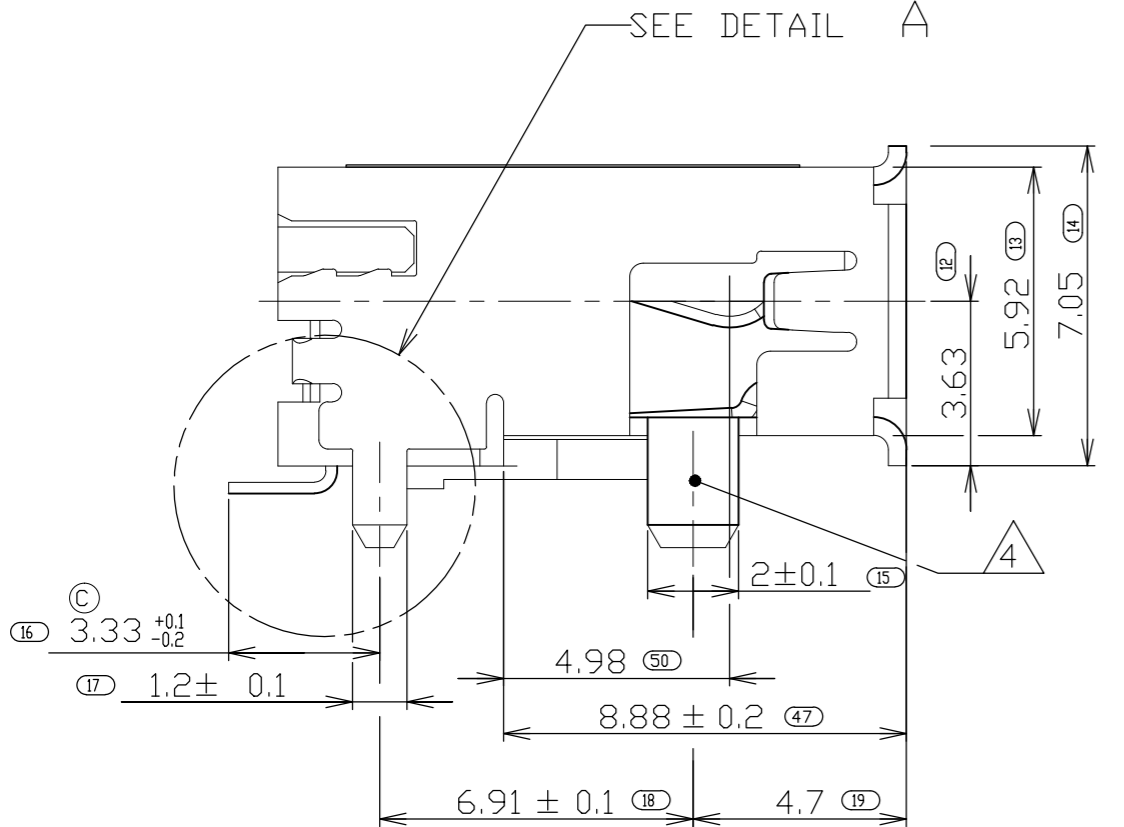
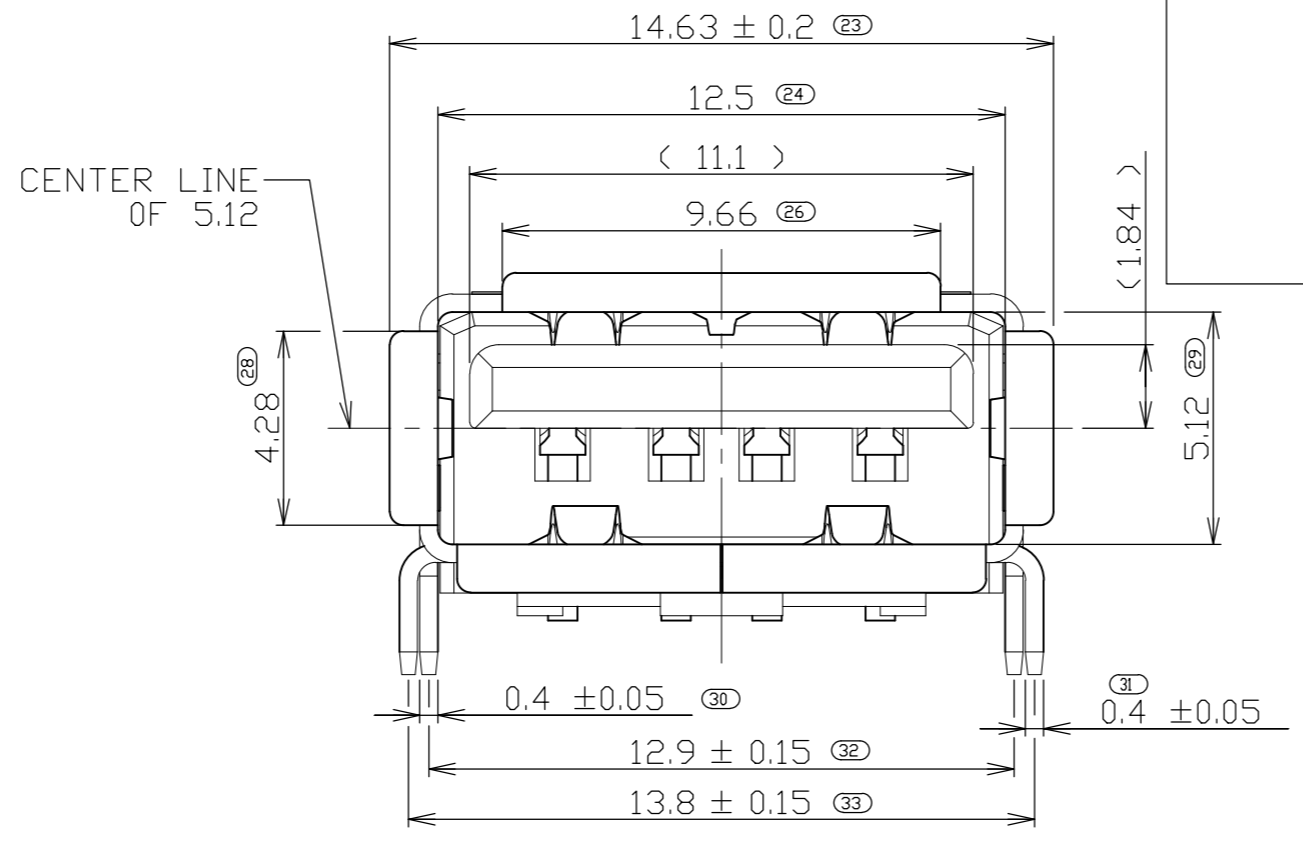
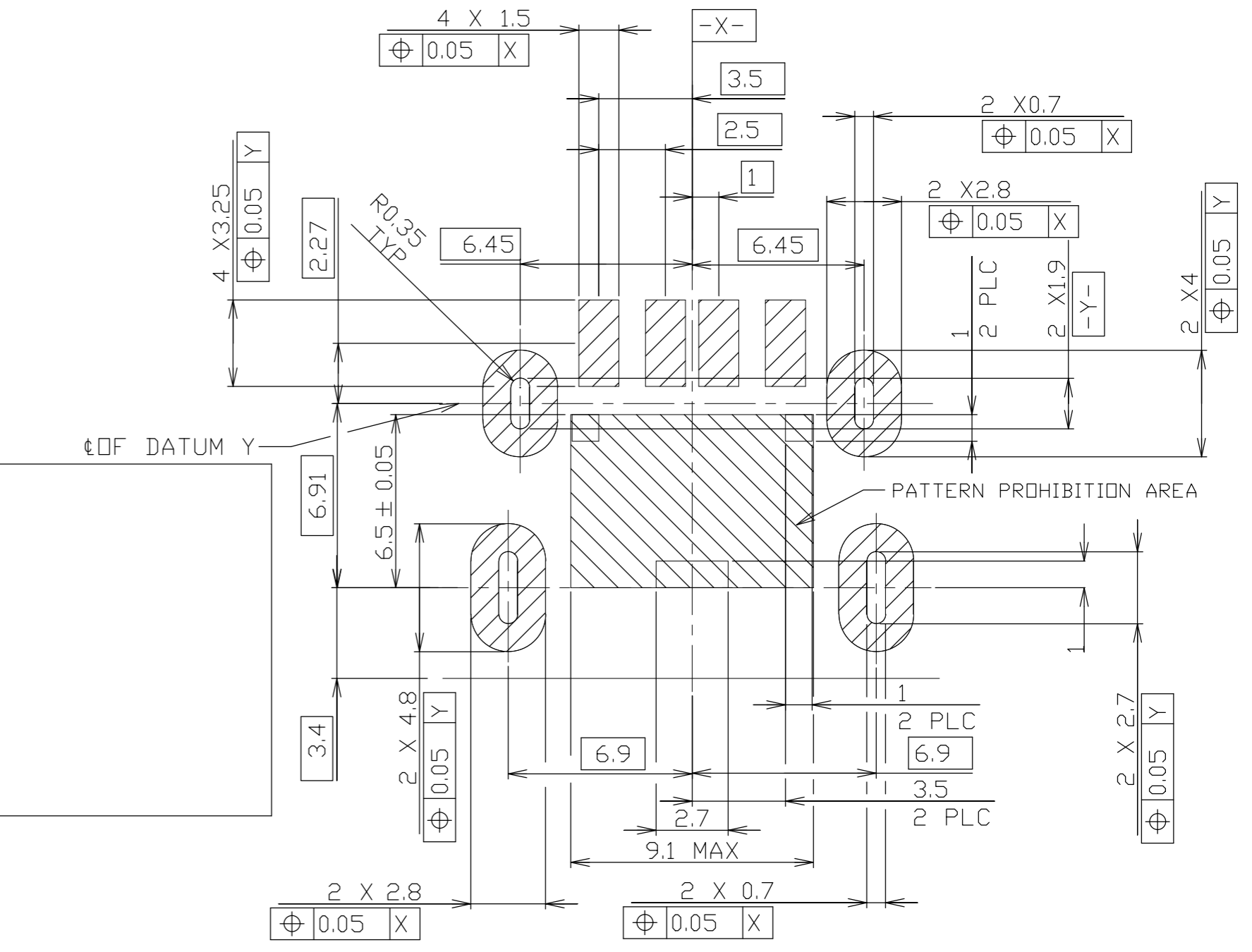
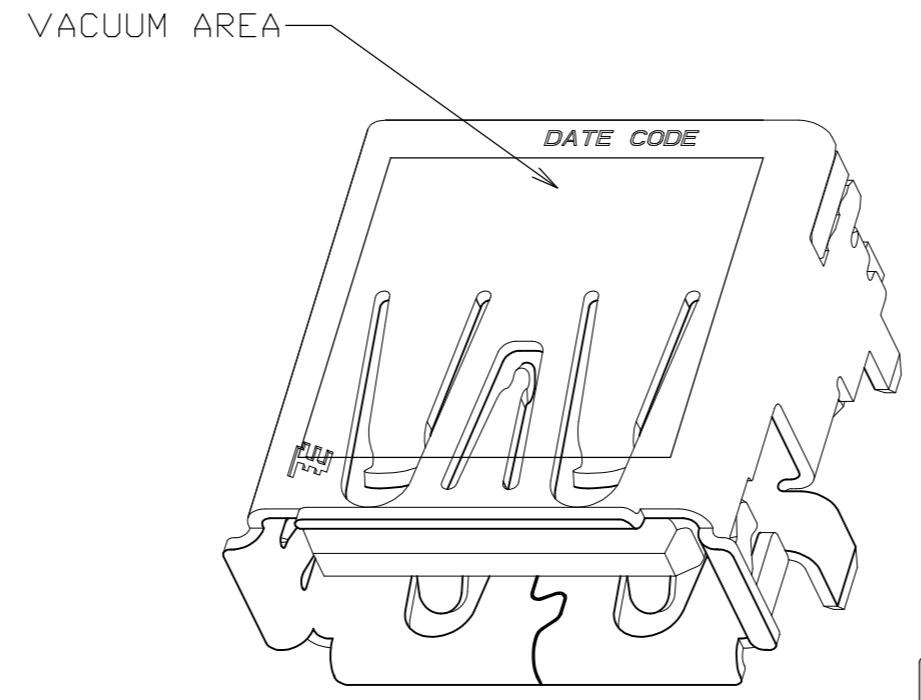
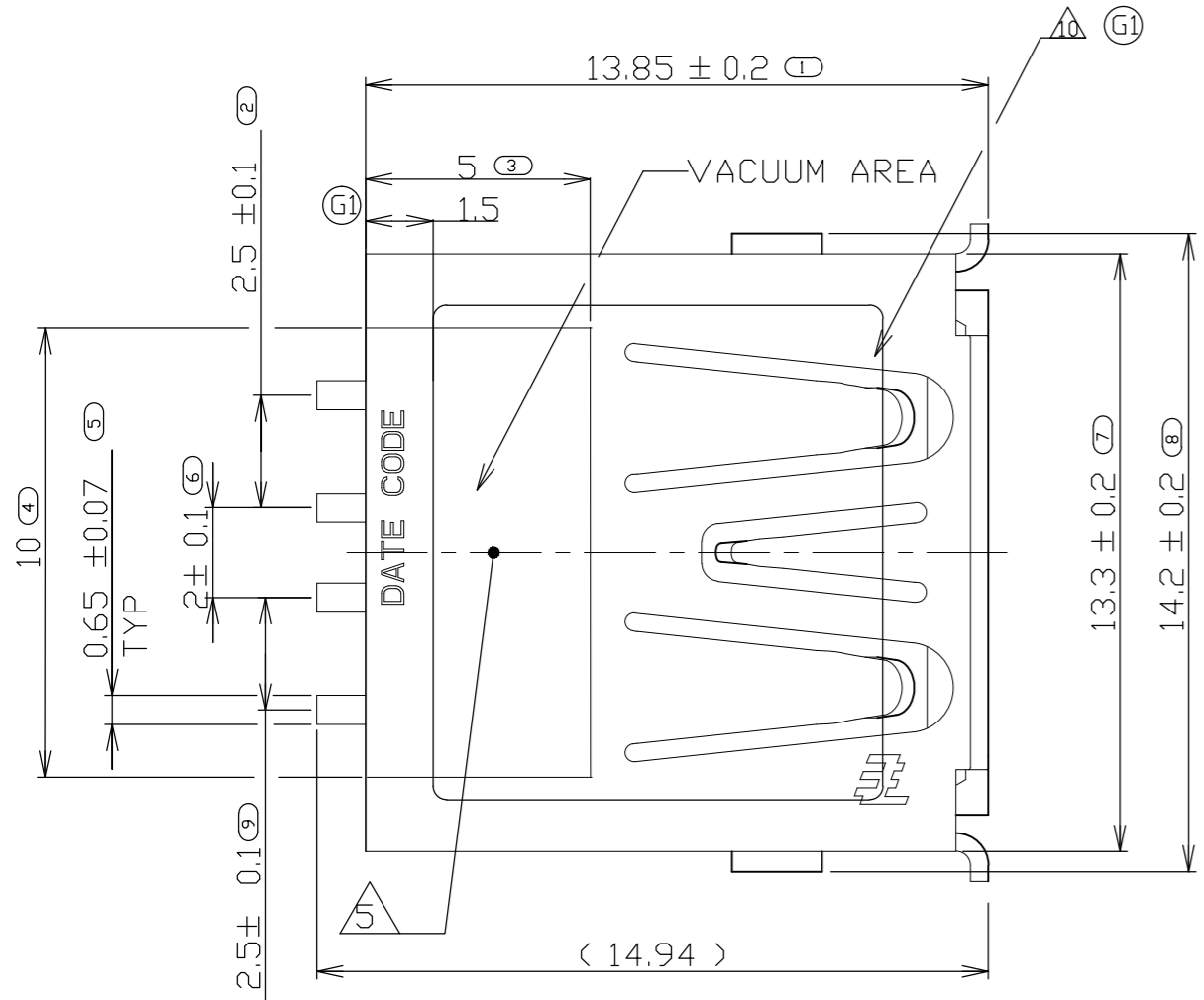


THIS DRAWING IS UNPUBLISHED. RELEASED FOR PUBLICATION
 © COPYRIGHT - By - ALL RIGHTS RESERVED.

LOC		DIST		REVISIONS			
P	LTR	DESCRIPTION	DATE	DWN	APVD		
H		REVISED PER ECR-18-014400	07NOV2018	T.Z	S.L		



DETAIL A
SCALE 12:1

RECOMMENDED PCB LAYOUT
(THICKNESS=1.2mm, TOLERANCE= ±0.05)

NOTES:
 △ MATERIALS:
 △ HOUSING: LCP, UL 94V-0 RATED; COLOR: BLACK
 CONTACTS: COPPER ALLOY
 SHIELD: CARBON STEEL (T=0.40mm)
 △ KAPTON: LYMIDE TAPE (NO.360AST) COLOR : BROWN (TRANSPARENT)
 △ FINISH:
 △ CONTACT: 0.76um MIN GOLD PLATING AND POROSITY SEALING TREATMENT ON CONTACT AREA
 3.8um MIN MATTE TIN ON SOLDER TAILS
 1.27um MIN NICKEL UNDER PLATING
 △ CONTACT: 0.05um MIN GOLD PLATING OVER 0.75um MIN Pd-Ni, AND POROSITY SEALING TREATMENT ON CONTACT AREA
 3.8um MIN MATTE TIN ON SOLDER TAILS
 1.27um MIN NICKEL UNDER PLATING
 SHIELD: POINT △ IS 3um MIN AND POINT △ IS 2.4um MAX
 MATTE TIN ALL OVER 1.0um MIN NICKEL
 INCLUDES FRACTURE SURFACE (EDGE)
 3. TINE COPPLANARITY MUST BE UNDER 0.1 MAX

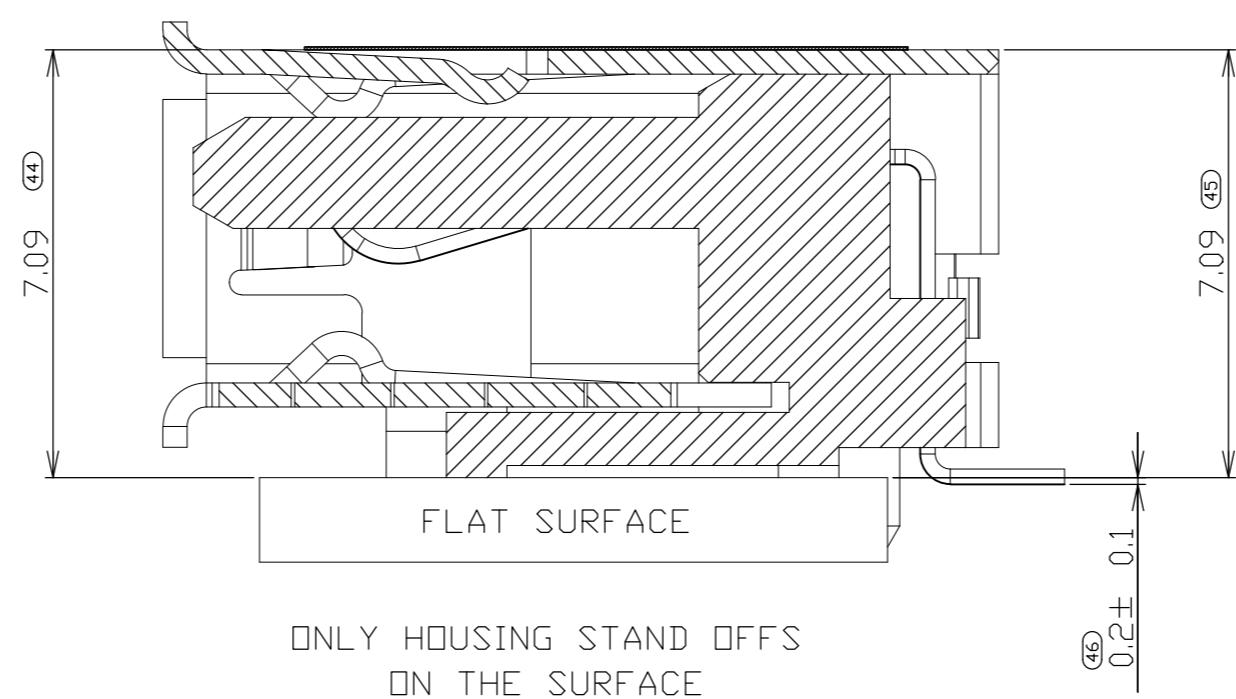
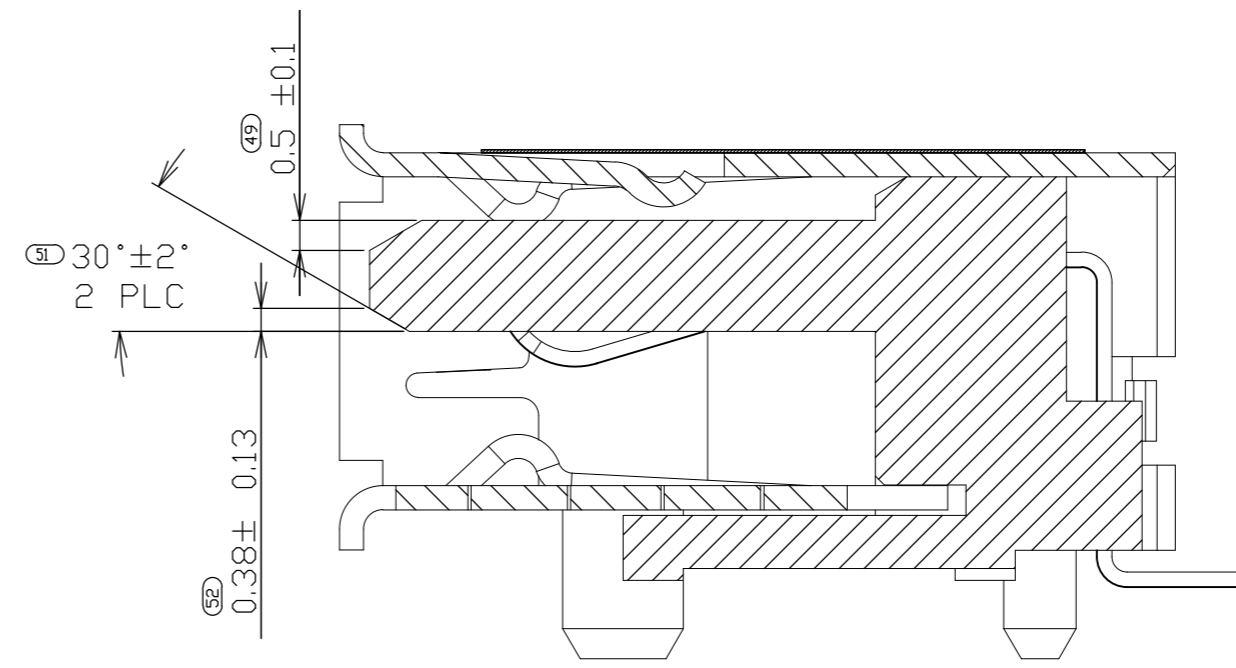
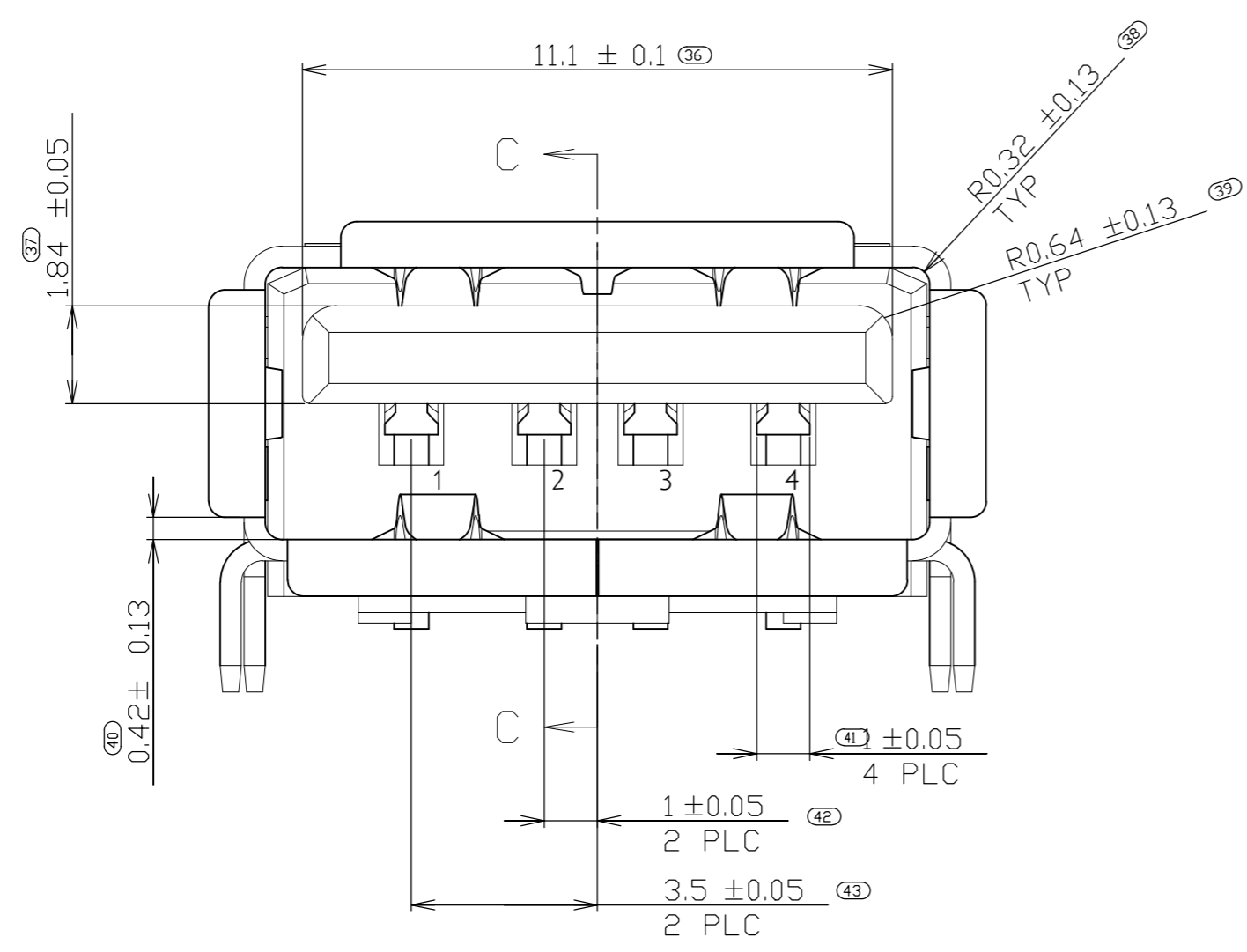
REV	DESCRIPTION	DATE	DWN	APVD
G1	△ 1			
G1	-			
G1	-			
	-			

(H) OBSOLETE

THIS DRAWING IS A CONTROLLED DOCUMENT.		DWN	ADAMS LV	21SEP2013	 TE Connectivity	RECEPTACLE ASSEMBLY RIGHT ANGLE SMT USB 2.0	
DIMENSIONS: mm		CHK	MARTIN LI	21SEP2013		NAME	
TOLERANCES UNLESS OTHERWISE SPECIFIED:		APVD	STEVEN YAO	21SEP2013	PRODUCT SPEC		
0 PLC ± 0.25		APPLICATION SPEC		108-60034			
1 PLC ± 0.20		WEIGHT		A2 00779 C=1932638			
2 PLC ± 0.20		CUSTOMER DRAWING		SCALE NTS SHEET 1 of 4 REV H			
3 PLC ± 0.15		SCALE		SHEET 1 of 4			
4 PLC ± 0.15		SHEET		1 of 4			
ANGLES ± 3		REV		H			

THIS DRAWING IS UNPUBLISHED. RELEASED FOR PUBLICATION
 © COPYRIGHT - By - ALL RIGHTS RESERVED.

LOC		DIST		REVISIONS			
P	LTR	DESCRIPTION	DATE	DWN	APVD		
-	-	SEE SHEET 1	-	-	-	-	-

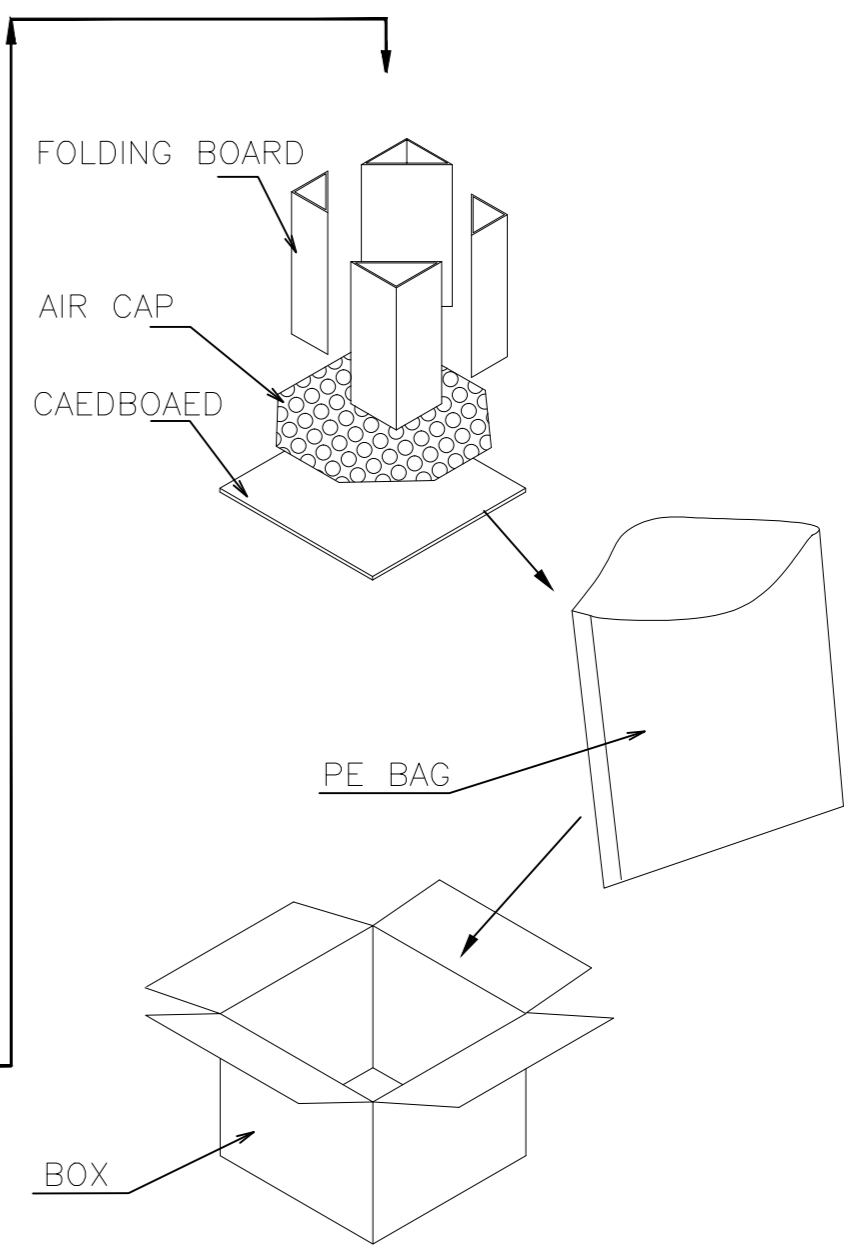
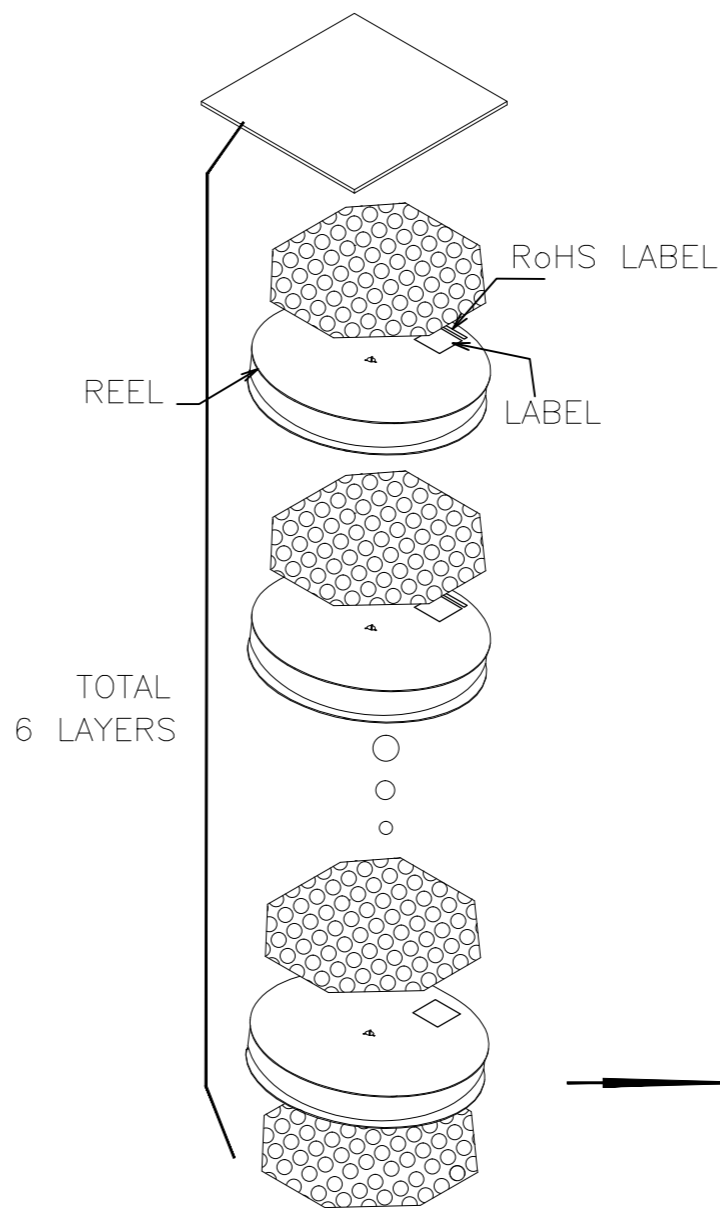
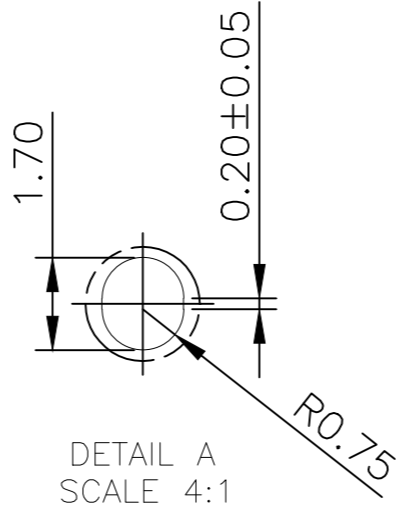
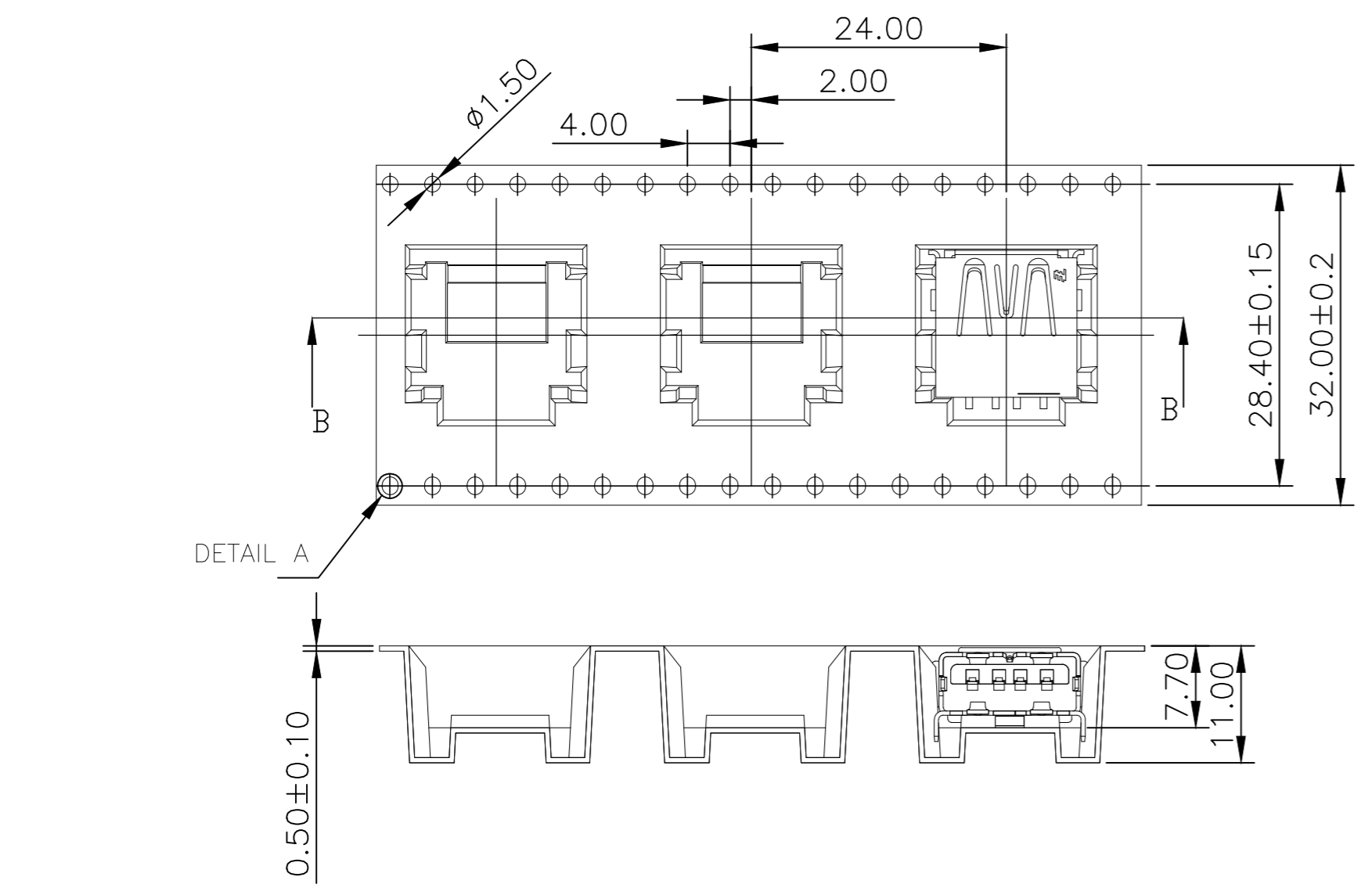
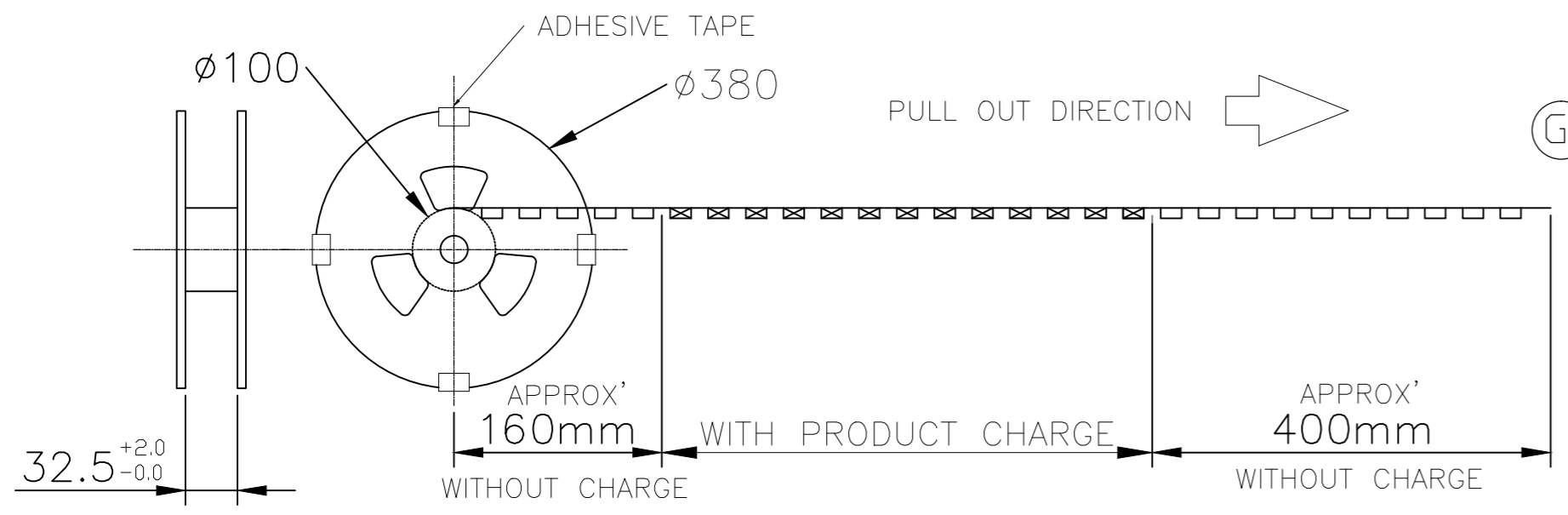


THIS DRAWING IS A CONTROLLED DOCUMENT.		DWN ADAMS LV 21SEP2013	TE Connectivity	
DIMENSIONS: mm		CHK MARTIN LI 21SEP2013		
TOLERANCES UNLESS OTHERWISE SPECIFIED:		APVD STEVEN YAO 21SEP2013	NAME RECEPTACLE ASSEMBLY RIGHT ANGLE SMT USB 2.0	
<ul style="list-style-type: none"> 0 PLC ± 0.25 1 PLC ± 0.20 2 PLC ± 0.20 3 PLC ± 0.15 4 PLC ± 0.15 ANGLES ± 3 		PRODUCT SPEC 108-60034	RESTRICTED TO	
MATERIAL		APPLICATION SPEC	SIZE A2	CAGE CODE 00779
FINISH		WEIGHT	DRAWING NO. C-1932638	SCALE NTS
		CUSTOMER DRAWING	SHEET 2 of 4	REV H

THIS DRAWING IS UNPUBLISHED. RELEASED FOR PUBLICATION
 © COPYRIGHT - By - ALL RIGHTS RESERVED.

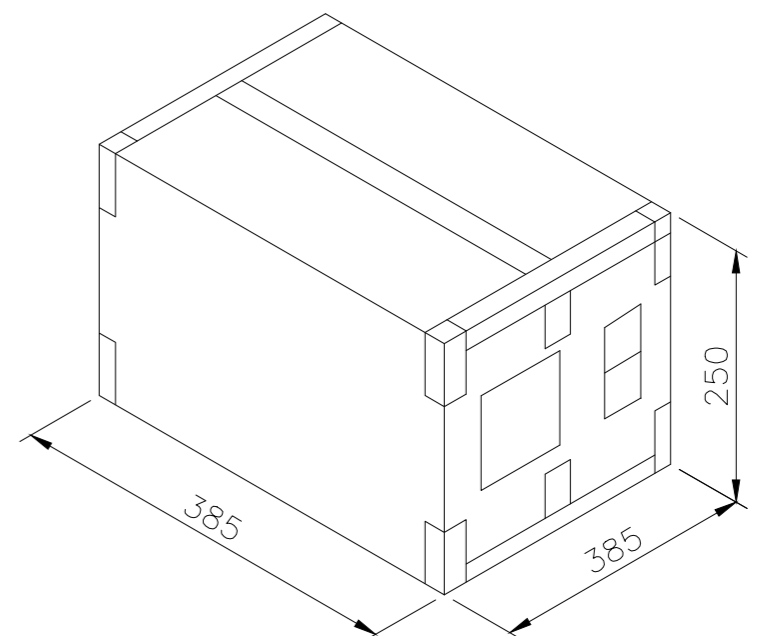
LOC		DIST		REVISIONS			
P	LTR	DESCRIPTION	DATE	DWN	APVD		
-	-	-	-	-	-	-	-

FOR 1932638-3/4/5 PACKAGE



8.42KG	4.284KG	350	6	2100
GROSS WEIGHT	NET WEIGHT	PCS/ REEL	REEL/ BOX	PCS/ BOX

DATECODE
 XXXXXXXX
 LINE OF MANUFACTORY
 DAY OF WEEK
 WEEK
 YEAR



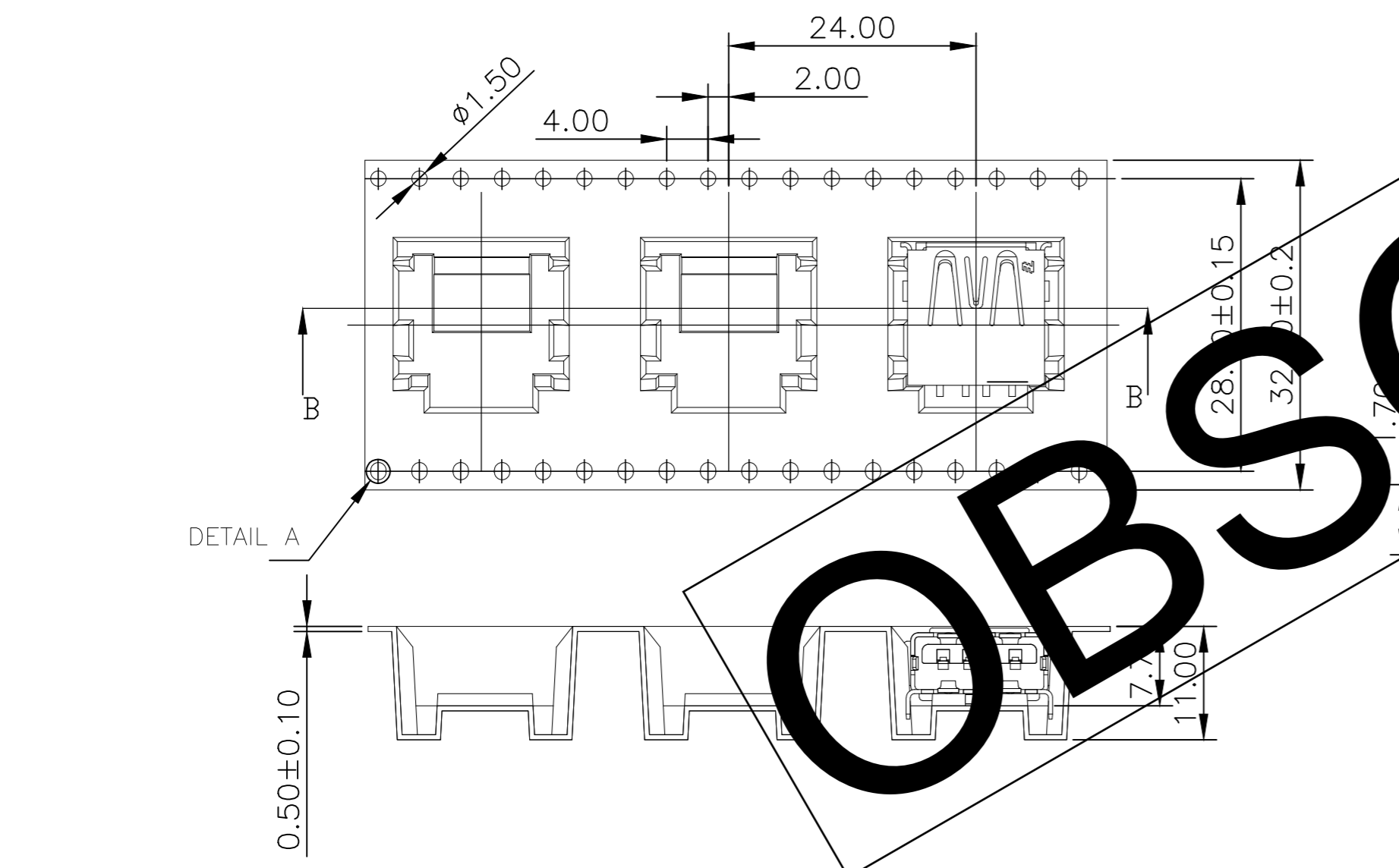
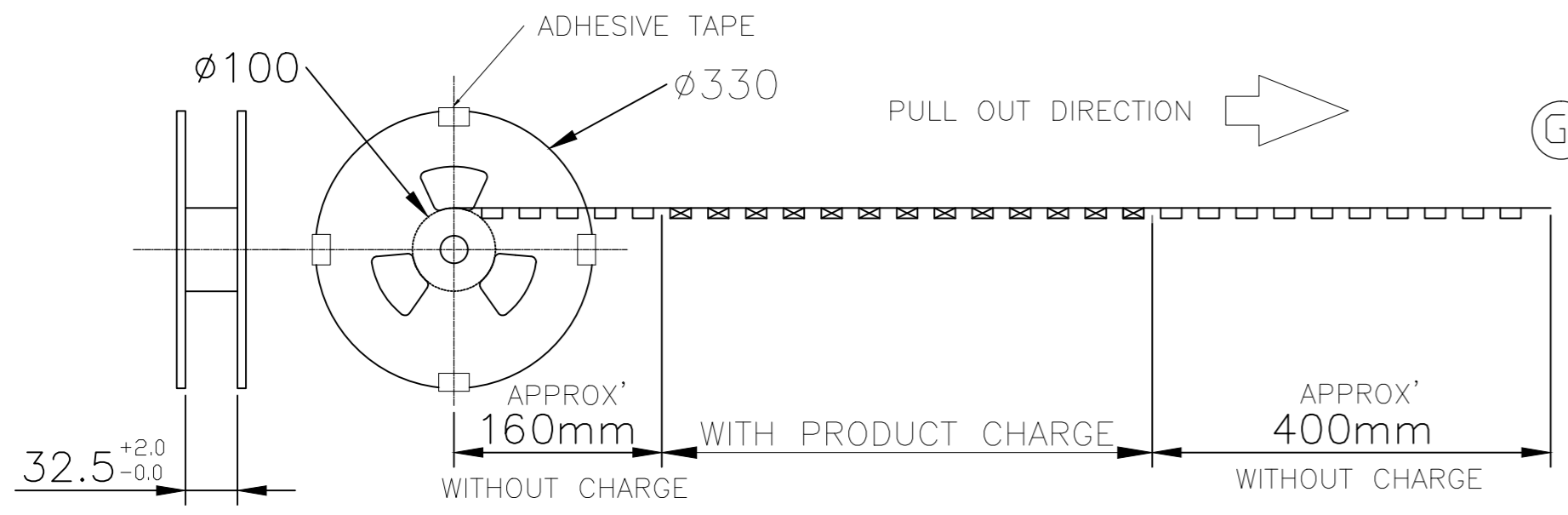
- NOTES :
- PACKAGING MATERIAL IN PLASTIC, RUBBER, INK, PIGMENT AND PAINT MUST MEET CONTROLLED SUBSTANCES PER TEC-138-702
 - * CADMIUM AND CADMIUM COMPOUNDS NOT TO EXCEED: 5 PPM.
 - * LEAD, CADMIUM, CHROM VI AND MERCURY NOT TO EXCEED: 100 PPM (COMBINED).
 - * CARRIER TAPES, COVER TAPES, REELS AND TAPED COMPONENTS MUST MEET THE REQUIREMENTS DEFINED PER EIA-481-B.
 - MATERIAL :
 - COVER TAPE : PS, COLOR: TRANSPARENT.
 - CARRIER TAPE : HIPS, COLOR: TRANSPARENT.
 - REEL : PC BLUE
 - SHIPPING BOX: CORRUGATED FIBER

THIS DRAWING IS A CONTROLLED DOCUMENT.		DWN ADAMS LV 21SEP2013	TE Connectivity	
DIMENSIONS: mm		CHK MARTIN LI 21SEP2013		
TOLERANCES UNLESS OTHERWISE SPECIFIED:		APVD STEVEN YAO 21SEP2013	NAME RECEPTACLE ASSEMBLY RIGHT ANGLE SMT USB 2.0	
0 PLC ± 0.25 1 PLC ± 0.20 2 PLC ± 0.20 3 PLC ± 0.15 4 PLC ± 0.15 ANGLES ± 3		PRODUCT SPEC 108-60034	SIZE A2	CAGE CODE 00779
MATERIAL		APPLICATION SPEC	DRAWING NO C-1932638	RESTRICTED TO
FINISH		WEIGHT	SCALE NTS	SHEET 3 of 4
		CUSTOMER DRAWING	REV H	

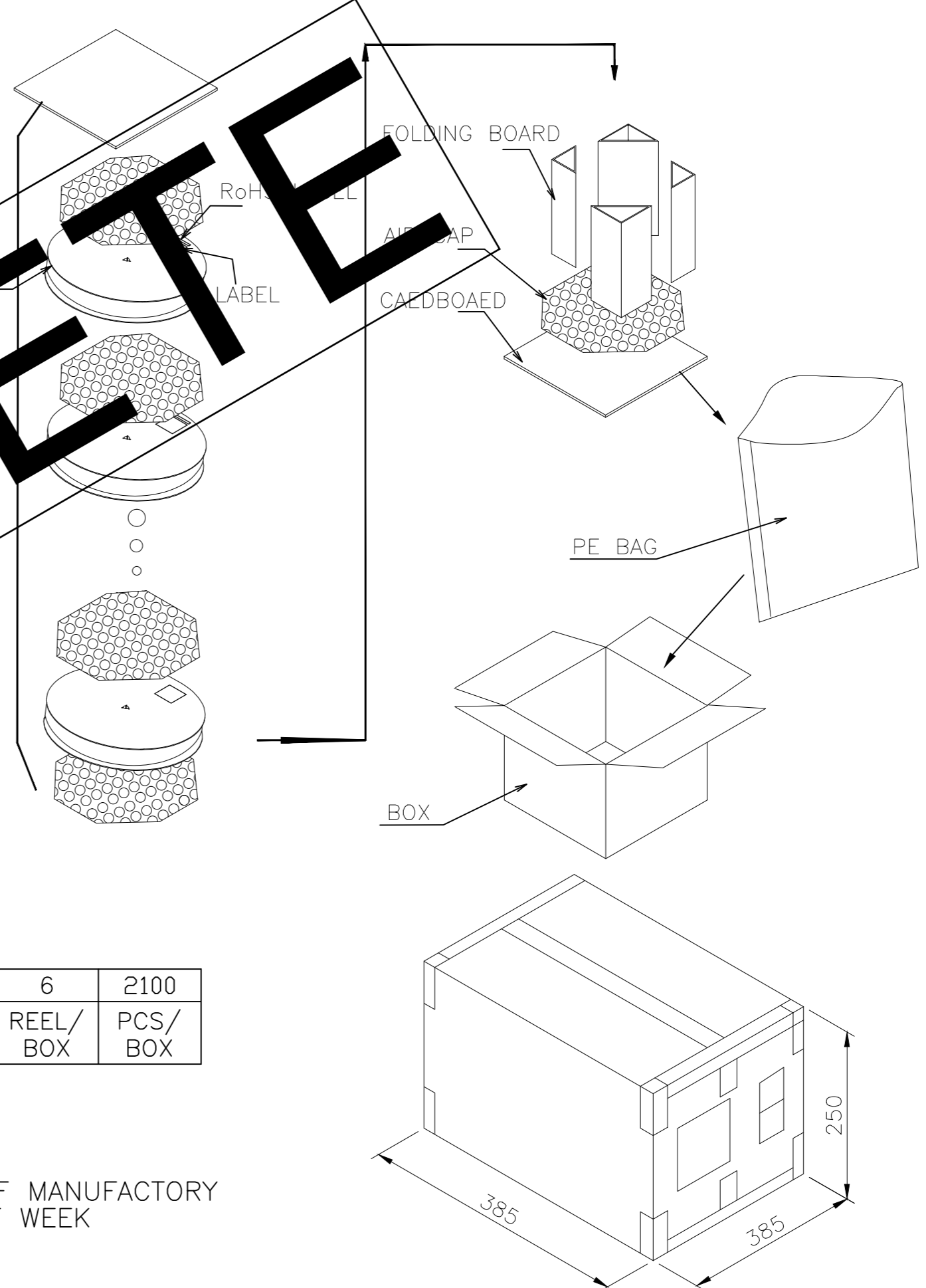
THIS DRAWING IS UNPUBLISHED. RELEASED FOR PUBLICATION
 © COPYRIGHT - By - ALL RIGHTS RESERVED.

LOC		DIST		REVISIONS			
P	LTR	DESCRIPTION	DATE	DWN	APVD		
-	-	-	-	-	-	-	-

FOR 1932638-2 PACKAGE



OBSOLETE



8.42KG	4.284KG	250	6	2100
GROSS WEIGHT	NET WEIGHT	PCS/ REEL	REEL/ BOX	PCS/ BOX

DATECODE
 XXXXXXXX
 LINE OF MANUFACTORY
 DAY OF WEEK
 WEEK
 YEAR

- NOTES :
- PACKAGING MATERIAL IN PLASTIC, RUBBER, INK, PIGMENT AND PAINT MUST MEET CONTROLLED SUBSTANCES PER TEC-138-702
 - * CADMIUM AND CADMIUM COMPOUNDS NOT TO EXCEED: 5 PPM.
 - * LEAD, CADMIUM, CHROM VI AND MERCURY NOT TO EXCEED: 100 PPM (COMBINED).
 - * CARRIER TAPES, COVER TAPES, REELS AND TAPED COMPONENTS MUST MEET THE REQUIREMENTS DEFINED PER EIA-481-B.
 - MATERIAL :
 - COVER TAPE : PS, COLOR: TRANSPARENT.
 - CARRIER TAPE : HIPS, COLOR: TRANSPARENT.
 - REEL : PC BLUE
 - SHIPPING BOX: CORRUGATED FIBER

THIS DRAWING IS A CONTROLLED DOCUMENT.		DWN ADAMS LV 21SEP2013	TE Connectivity															
DIMENSIONS: mm		CHK MARTIN LI 21SEP2013																
TOLERANCES UNLESS OTHERWISE SPECIFIED:		APVD STEVEN YAO 21SEP2013	NAME RECEPTACLE ASSEMBLY RIGHT ANGLE SMT USB 2.0															
<table border="1"> <tr><td>0 PLC</td><td>± 0.25</td></tr> <tr><td>1 PLC</td><td>± 0.20</td></tr> <tr><td>2 PLC</td><td>± 0.20</td></tr> <tr><td>3 PLC</td><td>± 0.15</td></tr> <tr><td>4 PLC</td><td>± 0.15</td></tr> <tr><td>ANGLES</td><td>± 3</td></tr> </table>		0 PLC	± 0.25	1 PLC	± 0.20	2 PLC	± 0.20	3 PLC	± 0.15	4 PLC	± 0.15	ANGLES	± 3	PRODUCT SPEC 108-60034	SIZE A2	CAGE CODE 00779	DRAWING NO C-1932638	RESTRICTED TO
0 PLC	± 0.25																	
1 PLC	± 0.20																	
2 PLC	± 0.20																	
3 PLC	± 0.15																	
4 PLC	± 0.15																	
ANGLES	± 3																	
MATERIAL		FINISH	WEIGHT		SCALE NTS	SHEET 4 of 4	REV H											
		CUSTOMER DRAWING																