



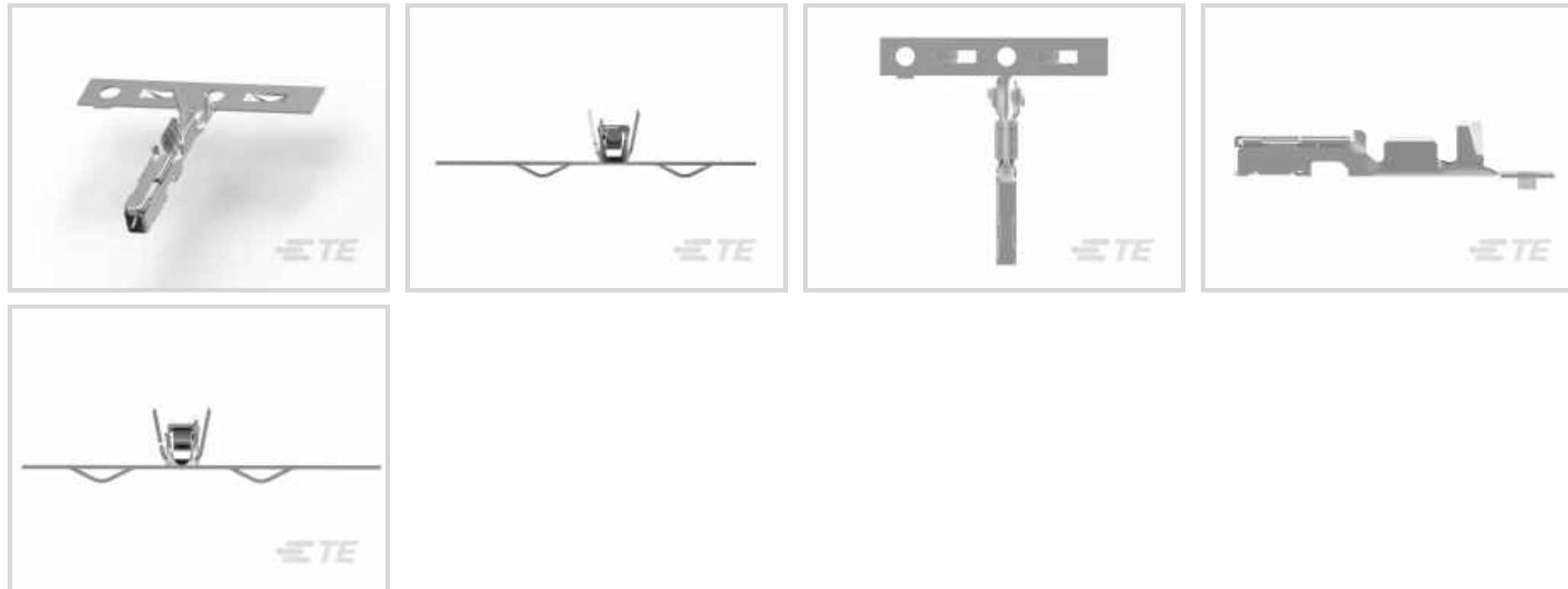
Generation Y Connector System

TE Internal #: 1924955-4

Generation Y Connector System, Automotive Terminals, Receptacle, Mating Tab Width .8 mm [.031 in], Tab Thickness .025 in [.64 mm], 18 AWG Wire Size

[View on TE.com >](#)

Terminals & Splices > Automotive Terminals



Terminal Type: **Receptacle**

Mating Tab Width: **.8 mm [.031 in]**

Mating Tab Thickness: **.64 mm [.025 in]**

Terminal Transmits: **0 – 24 A (Low Power)**

Wire Size: **18 AWG**

Features

Product Type Features

| | |
|-------------------------|------------|
| Sealable | No |
| Primary Locking Feature | Clean Body |

Contact Features

| | |
|------------------------|------------------|
| Typical Current Rating | 10 A |
| Crimp Type | F-Crimp |
| Terminal Type | Receptacle |
| Mating Tab Width | .8 mm [.031 in] |
| Mating Tab Thickness | .64 mm [.025 in] |
| Interface Plating | Tin (Sn) |

Termination Features

| | |
|------------------------------------|-------|
| Termination Method to Wire & Cable | Crimp |
| Product Terminates To | Wire |

Dimensions

| | |
|-----------|---------------------|
| Wire Size | .82 mm ² |
|-----------|---------------------|



| | |
|------------------|--------|
| Wire Size Search | 18 AWG |
|------------------|--------|

| | |
|--------------------------|------------------|
| Wire Insulation Diameter | 2.06 mm[.081 in] |
|--------------------------|------------------|

Usage Conditions

| | |
|-------------------|-------------|
| Insulation Option | Uninsulated |
|-------------------|-------------|

| | |
|-----------------------------|---|
| Operating Temperature (Max) | 80 °C, 85 °C, 90 °C, 100 °C[176 °F][185 °F] [194 °F][212 °F] |
|-----------------------------|---|

| | |
|-----------------------------|----------------------------|
| Operating Temperature Range | -40 – 100 °C[-40 – 212 °F] |
|-----------------------------|----------------------------|

Operation/Application

| | |
|------------------------------------|--------|
| Compatible With Wire Base Material | Copper |
|------------------------------------|--------|

Industry Standards

| | |
|-----------------|-----------------------|
| Agency/Standard | SAE/USCAR-2, USCAR-21 |
|-----------------|-----------------------|

Packaging Features

| | |
|------------------|-----|
| Packaging Method | Box |
|------------------|-----|

| | |
|--------------------|------|
| Packaging Quantity | 7500 |
|--------------------|------|

Other

| | |
|--------------------|----------------------|
| Terminal Transmits | 0 – 24 A (Low Power) |
|--------------------|----------------------|

Product Compliance

[For compliance documentation, visit the product page on TE.com>](#)

| | |
|------------------------------|-----------|
| EU RoHS Directive 2011/65/EU | Compliant |
|------------------------------|-----------|

| | |
|-----------------------------|-----------|
| EU ELV Directive 2000/53/EC | Compliant |
|-----------------------------|-----------|

| | |
|---|---|
| China RoHS 2 Directive MIIT Order No 32, 2016 | No Restricted Materials Above Threshold |
|---|---|

| | |
|--|---|
| EU REACH Regulation (EC) No. 1907/2006 | Current ECHA Candidate List: JAN 2022 (223) Candidate List Declared Against: JAN 2022 (223) Does not contain REACH SVHC |
|--|---|

| | |
|-----------------|---|
| Halogen Content | Low Halogen - Br, Cl, F, I < 900 ppm per homogenous material. Also BFR/CFR/PVC Free |
|-----------------|---|

| | |
|---------------------------|--|
| Solder Process Capability | Not applicable for solder process capability |
|---------------------------|--|

Product Compliance Disclaimer

This information is provided based on reasonable inquiry of our suppliers and represents our current actual knowledge based on the information they provided. This information is subject to change. The part numbers that TE has identified as EU RoHS compliant have a maximum concentration of 0.1% by weight in homogenous materials for lead, hexavalent chromium, mercury, PBB, PBDE, DBP, BBP, DEHP, DIBP, and 0.01% for cadmium, or qualify for an exemption to these

limits as defined in the Annexes of Directive 2011/65/EU (RoHS2). Finished electrical and electronic equipment products will be CE marked as required by Directive 2011/65/EU. Components may not be CE marked. Additionally, the part numbers that TE has identified as EU ELV compliant have a maximum concentration of 0.1% by weight in homogenous materials for lead, hexavalent chromium, and mercury, and 0.01% for cadmium, or qualify for an exemption to these limits as defined in the Annexes of Directive 2000/53/EC (ELV). Regarding the REACH Regulation, the information TE provides on SVHC in articles for this part number is based on the latest European Chemicals Agency (ECHA) 'Guidance on requirements for substances in articles' posted at this URL: <https://echa.europa.eu/guidance-documents/guidance-on-reach>


Compatible Parts



TE Part # 2305570-1
 TERMINAL CUTTER, SIDE FEED



TE Part # CAT-T319-CH8172
 TH/.025 CONNECTOR SYSTEM, HOUSING



TE Part # 1456471-1
 8p Hybrid 0.64/2.8 Unsealed PI



TE Part # 2035363-1
 1X6 GENERATION Y ASSY KEY B



TE Part # 1924341-1
 18P, 1 Row Carrier for 54P LAC



TE Part # 1924340-1
 36P, 2 Row Carrier for 54P LAC



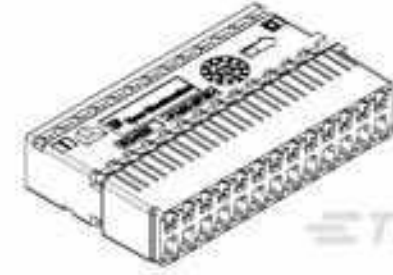
TE Part # 2098634-1
 Carrier, 20P, GY LAC, Black



TE Part # 2098216-1
 32P Carrier, GY



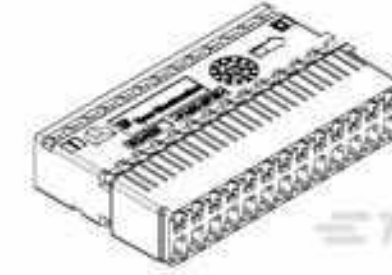
TE Part # 2288276-1
 Assy, Plug, USCAR, GenY, 20p, Key A, No CPA



TE Part # 1924136-2
 Carrier, 26P Generation Y, 52P Conn



TE Part # 1924136-1
 Carrier, 26P Generation Y, 52P Conn



TE Part # 1924136-3
 Carrier, 26P GenerationY, Hand Mate Conn



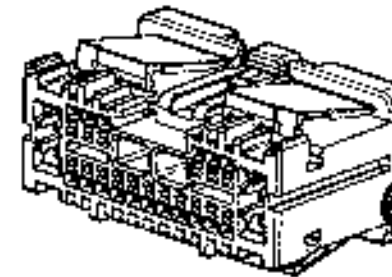
TE Part # 2288274-1
 24P HYBRID 0.64/2.8 PLUG ASSY, A KEY



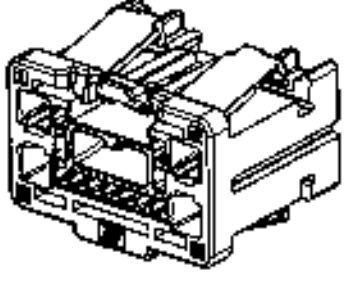
TE Part # 2035360-1
 1X4 GENERATION Y ASSY KEY A



TE Part # 2063291-1
 PRO-C HT & DIE GEN Y



TE Part # 1924126-1
 21p Hybrid - 1pc Unsealed Plug, Key A

TE Part # 1924667-1
13p Hybrid - 1pc Unsealed Plug, Key A



TE Part # 2-2151830-1
OCEAN_2.0_APPLICATOR-S-062F062O




TE Part # 2-2151830-2
OCEAN_2.0_APPLICATOR-S-062F062O




TE Part # 2035360-2
1X4 GENERATION Y ASSY KEYA CPA


Also in the Series | Generation Y Connector System




Automotive Connector Caps & Covers (16)



Automotive Housings(153)



Automotive Terminals(39)



Insertion & Extraction Tools(1)



PCB Headers & Receptacles(15)

Customers Also Bought



TE Part #2138557-1
2P GENERATION Y Plug, Single-P



TE Part #2138558-1
2P GENERATION Y Cap, Single-Pi



TE Part #1456867-3
PLG ASSY,2X8,UNSEALD, 0.64,Gen



TE Part #1745068-1
3 POS. MCP 1,5 SRS. REC. CONNECTOR UNSLD.



TE Part #1-968050-1
SPECIAL TERMINAL 11-10 AWG PTPB



TE Part #1-2208021-3
22POS,0.64 GENER. Y,REC HSG,ASSY



TE Part #1-2208021-4
22POS,0.64 GENER. Y,REC HSG,ASSY



TE Part #2035363-7
1X6 GENERATION Y ASSY KEY E



Documents

Product Drawings

[CONTACT,FEMALE0.64,18AWG,UNSEALED](#)

English

CAD Files

[3D PDF](#)

3D

Customer View Model

[ENG_CVM_CVM_1924955-4_D.2d_dxf.zip](#)

English

Customer View Model

[ENG_CVM_CVM_1924955-4_D.3d_igs.zip](#)

English

Customer View Model

[ENG_CVM_CVM_1924955-4_D.3d_stp.zip](#)

English

By downloading the CAD file I accept and agree to the [Terms and Conditions](#) of use.

Product Specifications

[Application Specification](#)

English