



Get .64 Connector System

TE Internal #: 1924943-1

TE Internal Description: PLUG ASSY, 96P GPEC II KEY E RIGHT EXIT

[View on TE.com >](#)

Connectors > Automotive Connectors > Automotive Housings



Connector System: **Wire-to-Board**

Number of Positions: **96**

Connector & Housing Type: **Housing for Female Terminals**

Centerline (Pitch): **2.5 mm [.098 in]**

Sealable: **Yes**

Features

Product Type Features

Mixed & Hybrid Connector	No
Connector Shape	Rectangular
Connector System	Wire-to-Board
Connector & Housing Type	Housing for Female Terminals
Sealable	Yes
Connector & Contact Terminates To	Wire & Cable
Primary Locking Feature	Integrated in Housing

Configuration Features

Number of Positions	96
Number of Rows	4

Electrical Characteristics

Nominal Voltage Architecture	500 V
------------------------------	-------

Body Features

Primary Product Color	Black
Connector & Keying Code	E



Contact Features

Contact Size	1.2mm
--------------	-------

Mechanical Attachment

Mating Alignment Type	Keyed
Mating Alignment	With
Connector Mounting Type	Cable Mount (Free-Hanging)

Housing Features

Housing Material	PA
Centerline (Pitch)	2.5 mm[.098 in]

Usage Conditions

Operating Temperature (Max)	125 °C[257 °F]
Operating Temperature Range	-40 – 125 °C[-40 – 257 °F]

Operation/Application

Circuit Application	Signal
---------------------	--------

Other

Connector Position Assurance Capable	No
--------------------------------------	----

Product Compliance

[For compliance documentation, visit the product page on TE.com>](#)

EU RoHS Directive 2011/65/EU	Compliant
EU ELV Directive 2000/53/EC	Compliant
China RoHS 2 Directive MIIT Order No 32, 2016	No Restricted Materials Above Threshold
EU REACH Regulation (EC) No. 1907/2006	<p>Current ECHA Candidate List: JUNE 2024 (241)</p> <p>Candidate List Declared Against: JAN 2024 (240)</p> <p>SVHC > Threshold:</p> <p>Octamethylcyclotetrasiloxane (D4) (.5% in Component Part)</p> <p>Dodecamethylcyclohexasiloxane (D6) (.5% in Component Part)</p> <p>Decamethylcyclopentasiloxane (D5) (.5% in Component Part)</p> <p>Article Safe Usage Statements: Wash thoroughly after handling. Recycle if possible and dispose of the article by following all applicable governmental regulations relevant to your geographic location.</p>
Halogen Content	BFR/CFR/PVC Free, but Br/Cl >900 ppm in other sources.

Solder Process Capability

Not applicable for solder process capability

Product Compliance Disclaimer

This information is provided based on reasonable inquiry of our suppliers and represents our current actual knowledge based on the information they provided. This information is subject to change. The part numbers that TE has identified as EU RoHS compliant have a maximum concentration of 0.1% by weight in homogenous materials for lead, hexavalent chromium, mercury, PBB, PBDE, DBP, BBP, DEHP, DIBP, and 0.01% for cadmium, or qualify for an exemption to these limits as defined in the Annexes of Directive 2011/65/EU (RoHS2). Finished electrical and electronic equipment products will be CE marked as required by Directive 2011/65/EU. Components may not be CE marked. Additionally, the part numbers that TE has identified as EU ELV compliant have a maximum concentration of 0.1% by weight in homogenous materials for lead, hexavalent chromium, and mercury, and 0.01% for cadmium, or qualify for an exemption to these limits as defined in the Annexes of Directive 2000/53/EC (ELV). Regarding the REACH Regulation, the information TE provides on SVHC in articles for this part number is based on the latest European Chemicals Agency (ECHA) 'Guidance on requirements for substances in articles' posted at this URL: <https://echa.europa.eu/guidance-documents/guidance-on-reach>

Compatible Parts



TE Part # CAT-G3353-T273
GET .64 CONNECTOR SYSTEM, RECEPT AND TAB



TE Part # 1924779-1
WIRE DRESS ASSY, 96P GPEC II



TE Part # 1924880-1
GET, FEMALE TERMINAL, AGSN, 16



TE Part # 1924879-1
GET, FEMALE TERMINAL, AGSN, TH

TE Part # 1924774-1
SEAL COVER, 96P GPEC II

TE Part # 1924775-1
MATTE WIRE SEAL, 96P GPEC II

TE Part # 1924776-1
PERIPHERAL SEAL, 96P GPEC II

TE Part # 1924777-1
ALPHA SLIDE, 96P GPEC II

TE Part # 1924778-1
BETA SLIDE, 96P GPEC II

TE Part # 1924772-1
PLUG HOUSING, 96P GPEC II

TE Part # 1924773-2
TPA, 96P GPEC II KEY E

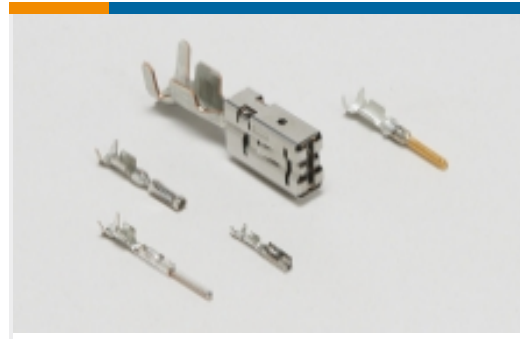
Also in the Series | [Get .64 Connector System](#)



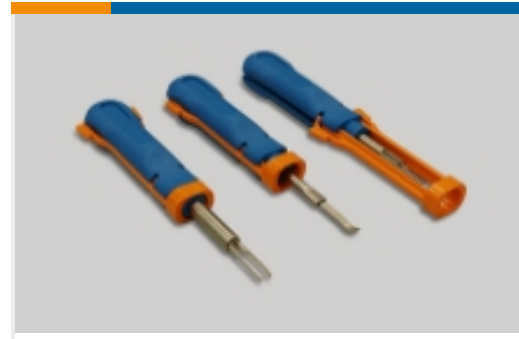
Automotive Connector Caps & Covers (5)



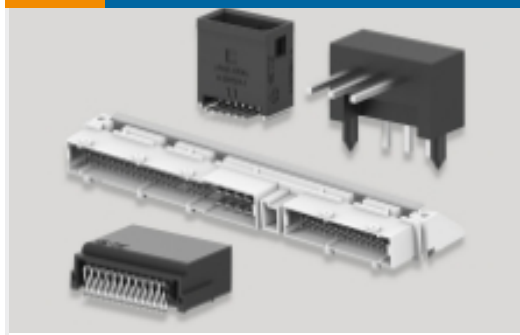
Automotive Housings(109)



Automotive Terminals(28)



Insertion & Extraction Tools(1)



PCB Headers & Receptacles(3)

Customers Also Bought



TE Part #2138314-1
36P SEALED HYBRID (32X 1.2, 4X



TE Part #184340-1
PLUG ASSY,2X2,CPA,W/O SLOT,CKT4
BLKD



TE Part #1924779-1
WIRE DRESS ASSY, 96P GPEC II
BLKD



TE Part #1924880-1
GET, FEMALE TERMINAL, AGSN, 16



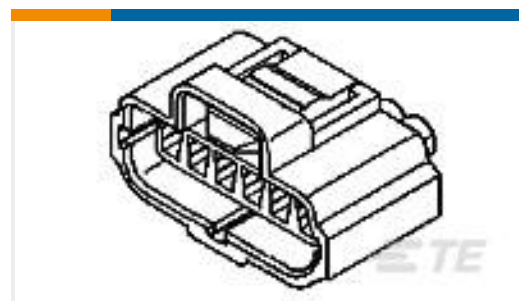
TE Part #184311-1
ASSY, PLUG HSG 3 POS, KEY A



TE Part #638517-5
PLUG ASSY, 10PSON SEALED KEY A



TE Part #184116-1
2 POS. PLUG ASSY, KEY H 1/2



TE Part #184124-1
6 POS./6 CIRC. PLUG ASSY,KEY B



TE Part #1924939-1
PLUG ASSY, 96P GPEC II KEY A RIGHT
EXIT



TE Part #1924941-1
PLUG ASSY, 96P GPEC II KEY C RIGHT
EXIT

Documents



Product Drawings

PLUG ASSY, 96P GPEC II KEY E RIGHT EXIT

English

CAD Files

Customer View Model

[ENG_CVM_CVM_1924943-1_C.3d_stp.zip](#)

English

Customer View Model

[ENG_CVM_CVM_1924943-1_C.3d_igs.zip](#)

English

Customer View Model

[ENG_CVM_CVM_1924943-1_C.2d_dxf.zip](#)

English

3D PDF

3D

By downloading the CAD file I accept and agree to the [Terms and Conditions](#) of use.

Instruction Sheets

Instruction Sheet (U.S.)

English

Instruction Sheet (U.S.)

English