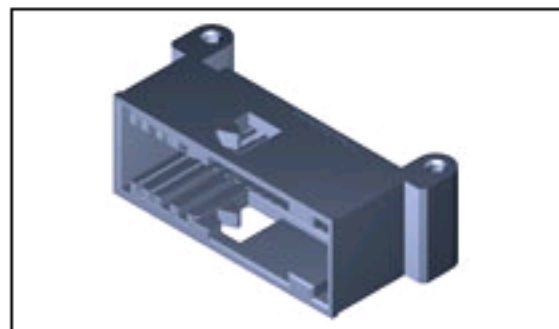




1924342-1 Product Details

Share | Print | Email



1924342-1

TE Internal Number: 1924342-1

Active

View 3D PDF

0.64 mm Connector Systems

Always EU RoHS/ELV Compliant (Statement of Compliance)

Product Highlights:

- Product Series = Generation Y 0.64 mm/2.8 mm
- Wire-to-Board
- Applies To Printed Circuit Board
- Connector
- Header

View all Features

Quick Links

- Pricing & Availability
- Search for Tooling
- Product Feature Selector
- Contact Us About This Product

Add to My Part List | Request Sample | Find Similar Products | Buy Product

Documentation & Additional Information

Product Drawings:

- None Available

Catalog Pages/Data Sheets:

- None Available

Product Specifications:

- None Available

Application Specifications:

- None Available

Instruction Sheets:

- 0.64mm Generation Y Lever-Assist Connectors (LAC) an... (PDF, English)

CAD Files: (CAD Format & Compression Information)

- 2D Drawing (DXF, Version A)
- 3D Model (IGES, Version A)
- 3D Model (STEP, Version A)

Related Products:

- Tooling

List all Documents

Product Features (Please use the Product Drawing for all design activity)

Product Type Features:

- Product Series = Generation Y 0.64 mm/2.8 mm
- Product Type = Connector
- Connector Type = Header
- Termination Method to Wire/Cable = Solder
- PCB Mounting Orientation = Right Angle
- Strain Relief = Without
- Sealed = No
- Termination Method to PC Board = Through Hole - Solder

Mechanical Attachment:

- Panel Mount Retention = With

Termination Features:

- Tail Length (mm [in]) = 3.1 [0.122]

Dimensions:

- PCB Thickness, Recommended (mm [in]) = 1.57 [0.062]

Body Features:

- Underplate Material Thickness (µm [µin]) = 1.30 - 2.20 [51.180 - 86.610]

Contact Features:

- Contact Type = Pin
- Multiple Contact Types = Without
- Contact Series = 0.64
- Contact Base Material = Copper Alloy
- Contact Mating Area Plating (Signal) = Tin
- Contact Plating, Termination Area, Material = Tin
- Contact Plating, Termination Area, Thickness (µm [µin]) = 1 - 3 [40 - 118.11]
- Underplate Material = Nickel

Housing Features:

- Connector Style = Receptacle
- Housing Material = Polyester PCT
- Housing Color = Black
- Centerline (mm [in]) = 2.54 [0.100]
- Mating Alignment = With
- Mating Alignment Type = Keyed

Configuration Features:

- Number of Positions = 54
- Number of Rows = 3

Industry Standards:

- RoHS/ELV Compliance = RoHS compliant, ELV compliant
- Lead Free Solder Processes = Reflow solder capable to 245°C
- RoHS/ELV Compliance History = Always was RoHS compliant

Identification Marking:

- Keying = A-E

Conditions for Usage:

- Applies To = Printed Circuit Board
- For Use With = Applied Contacts(Terminals 064: 1456841-1/-2,Terminals 2.8: 1326032-2/-3/-4/-5/-6)

Operation/Application:

- Application Use = Wire-to-Board

Packaging Features:

- Packaging Method = Carton
- Packaging Quantity = 720

Other:

- Brand = TE Connectivity
- Comment = Connector Current dependant on loading.

Corporate Information

- About TE
- Investors
- News Room
- Supplier Portal
- Careers
- Terms & Conditions
- Privacy Policy

Quick Links

- Distributor Inventory
- Product Cross Reference
- Documents & Drawings
- Product Compliance Support Center
- Site Map

Customer Support

- Email or Chat With Us
- Find a Phone Number
- Knowledge Base
- Manage Your Account

Keep Me Informed

Receive TE News, Events & Technology Updates

Enter your email address

