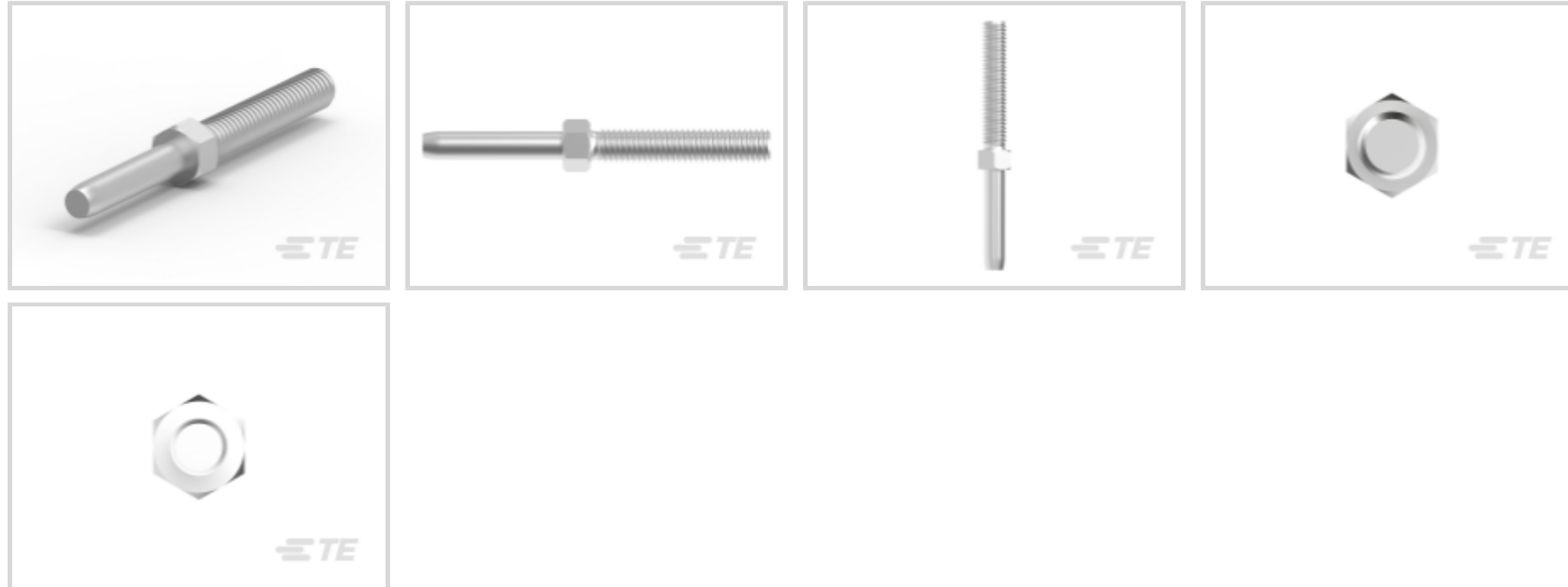




Connectors > Contacts > Connector Contacts



Contact Type: **Pin**

Contact Mating Area Plating Material: **Silver**

Operating Voltage: **250 VDC**

Contact Retention Within Housing: **Without**

Features

Product Type Features

Sealable	No
----------	----

Electrical Characteristics

Operating Voltage	250 VDC
-------------------	---------

Contact Features

Mating Pin Diameter	4 mm [.157 in]
Contact Underplating Material Thickness	1.27 – 3.81 μm [50 – 150 μin]
Contact Mating Area Plating Material Thickness	5.08 – 10.16 μm [200 – 400 μin]
Contact Mating Area Plating Material Finish	Semi-Bright
Contact Orientation	Straight
Contact Underplating Material	Nickel
Contact Type	Pin
Contact Mating Area Plating Material	Silver
Contact Retention Within Housing	Without
Contact Base Material	Brass
Contact Current Rating (Max)	60 A

Termination Features



Product Terminates To	Busbar
-----------------------	--------

Mechanical Attachment

Wire Insulation Support	Without
-------------------------	---------

Usage Conditions

Operating Temperature Range	-40 – 105 °C[-40 – 221 °F]
-----------------------------	----------------------------

Operation/Application

Circuit Application	Power
---------------------	-------

Packaging Features

Packaging Quantity	1
Packaging Method	Package

Product Compliance

[For compliance documentation, visit the product page on TE.com>](#)

EU RoHS Directive 2011/65/EU	Compliant with Exemptions
EU ELV Directive 2000/53/EC	Compliant with Exemptions
China RoHS 2 Directive MIIT Order No 32, 2016	Restricted Materials Above Threshold
EU REACH Regulation (EC) No. 1907/2006	Current ECHA Candidate List: JUNE 2024 (241) Candidate List Declared Against: JAN 2024 (240) SVHC > Threshold: Pb (3.7% in Component Part) Article Safe Usage Statements: Do not eat, drink or smoke when using this product. Wash thoroughly after handling. Recycle if possible and dispose of the article by following all applicable governmental regulations relevant to your geographic location.
Halogen Content	Low Halogen - Br, Cl, F, I < 900 ppm per homogenous material. Also BFR/CFR/PVC Free
Solder Process Capability	Not applicable for solder process capability

Product Compliance Disclaimer

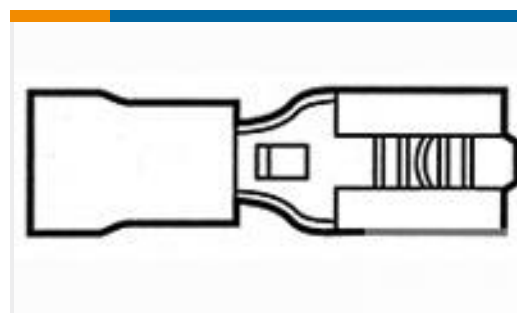
This information is provided based on reasonable inquiry of our suppliers and represents our current actual knowledge based on the information they provided. This information is subject to change. The part numbers that TE has identified as EU RoHS compliant have a maximum concentration of 0.1% by weight in homogenous materials for lead, hexavalent chromium, mercury, PBB, PBDE, DBP, BBP, DEHP, DIBP, and 0.01% for cadmium, or qualify for an exemption to these limits as defined in the Annexes of Directive 2011/65/EU (RoHS2). Finished electrical and electronic equipment products will be CE marked as required by Directive 2011/65/EU. Components may not be CE marked. Additionally, the part numbers that TE has identified as EU ELV compliant have a maximum concentration of 0.1% by weight in homogenous materials for lead, hexavalent chromium, and mercury, and 0.01% for cadmium, or qualify for an exemption to these limits as defined in the Annexes of Directive 2000/53/EC (ELV). Regarding the REACH Regulation, the information TE provides on SVHC in articles for this part number is based on the latest European Chemicals Agency (ECHA) 'Guidance on requirements for substances in articles' posted at this URL: <https://echa.europa.eu/guidance-documents/guidance-on-reach>

Compatible Parts

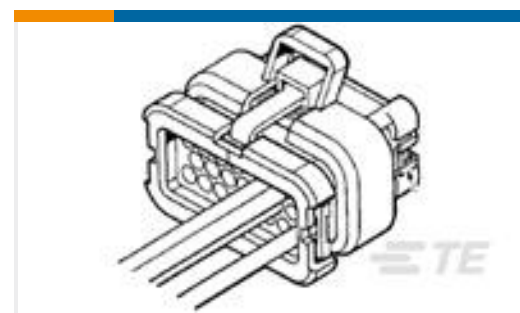


TE Part # 192129-1
4MM 10B1S1/4-X 10-32

Customers Also Bought



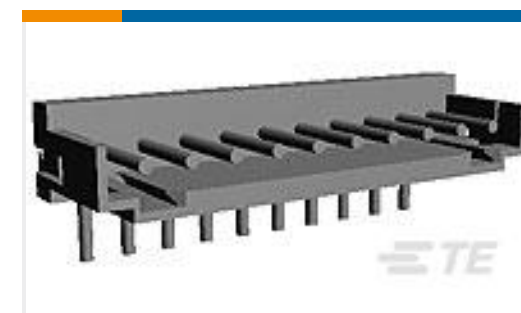
TE Part #641321-1
RECEPT PIDG FASTON 26-24 187



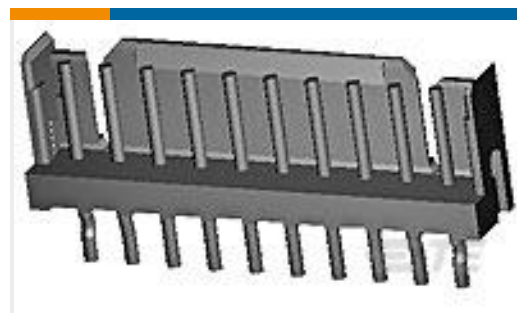
TE Part #776286-2
8POS,AMPSEAL,SOC HSG ASSY,SLD,
COD 2



TE Part #640457-8
08P MTA100 HDR ASSY SQ R/A F/L



TE Part #292253-4
CT CONN MT HDR ASSY H 4P NAT



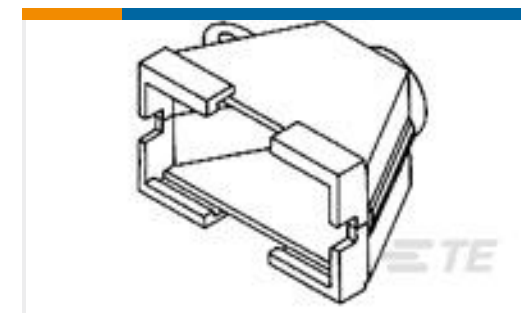
TE Part #292161-5
CT P/HDR ASSY V 5P W/KINK NAT



TE Part #52041
TERMINAL,R PG 8 8



TE Part #5-103673-1
2 MTE HDR SRRA LATCH W/HLDWN



TE Part #350523-1
15P STR/REL HSG HNGD V0



TE Part #1761681-6
IDC LOW PRO HDR 16P VERT HT
BLACK



TE Part #192129-1
4MM 10B1S1/4-X 10-32

Documents

[Product Drawings](#)
[4MM THREADED PIN](#)

English

[CAD Files](#)
[Customer View Model](#)



[ENG_CVM_CVM_192161-1_G.2d_dxf.zip](#)

English

[3D PDF](#)

3D

Customer View Model

[ENG_CVM_CVM_192161-1_G.3d_igs.zip](#)

English

Customer View Model

[ENG_CVM_CVM_192161-1_G.3d_stp.zip](#)

English

By downloading the CAD file I accept and agree to the [Terms and Conditions](#) of use.

[Product Specifications](#)

[Application Specification](#)

English