

**PLEASE CHECK WWW.MOLEX.COM FOR LATEST PART INFORMATION**

**Part Number:** [0192000024](#)  
**Status:** **Active**  
**Overview:** [Splices](#)  
**Description:** Avikrimp Seamless Butt Splice for 10-12 AWG Wire, Super Duty, Tape

**Documents:**

[Drawing \(PDF\)](#) [Product Specification PS-19902-015-001 \(PDF\)](#)  
[Product Specification PS-19902-011-001 \(PDF\)](#) [RoHS Certificate of Compliance \(PDF\)](#)

**General**

Product Family [Splices](#)  
 Series [19200](#)  
 Comments [Yellow](#)  
 Crimp Quality Equipment [Yes](#)  
 Overview [Splices](#)  
 Product Name [Avikrimp](#)  
 UPC [800756726717](#)

**Physical**

Barrel Type [Closed](#)  
 Color - Resin [Yellow](#)  
 Insulation [Nylon \(PA\)](#)  
 Material - Metal [Copper](#)  
 Material - Plating Mating [Tin](#)  
 Material - Plating Termination [Tin](#)  
 Net Weight [4.064/g](#)  
 Packaging Type [Embossed Tape on Reel](#)  
 Temperature Range - Operating [105°C](#)  
 Wire Insulation Diameter [5.84mm](#)  
 Wire Size AWG [10, 12](#)

**Electrical**

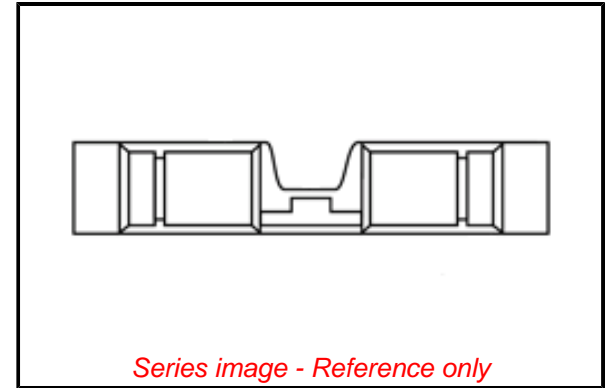
Voltage - Maximum [600V](#)

**Material Info**

Engineering Number [CS-846T](#)

**Reference - Drawing Numbers**

Product Specification [PS-19902-011-001, PS-19902-015-001](#)  
 Sales Drawing [SD-19200-001](#)



*Series image - Reference only*

**EU ELV**

**Not Relevant**

**EU RoHS**

**Compliant**

**REACH SVHC**

Not Contained Per  
 -ED/88/2018 (15  
 January 2019)

**Halogen-Free**

**Status**

**Low-Halogen**

For more information, please visit [Contact US](#)

China ROHS

Not Relevant

ELV

Not Relevant

RoHS Phthalates

Not Contained

**Search Parts in this Series**

[19200 Series](#)

**Application Tooling | [FAQ](#)**

*Tooling specifications and manuals are found by selecting the products below. Crimp Height Specifications are then contained in the Application Tooling Specification document.*

**Global**

**Description**

**Product #**

ATP Crimp Dies  
 for the Tape Crimp  
 Module and ATP-101  
 & 301 Press

[192880174](#)