

PLEASE CHECK WWW.MOLEX.COM FOR LATEST PART INFORMATION

Part Number: [0192000023](#)
Status: **Active**
Description: BS-831T BUTT SPLICE SEAMLESS AVIK TAPED

Documents:

[Drawing \(PDF\)](#) [RoHS Certificate of Compliance \(PDF\)](#)

General

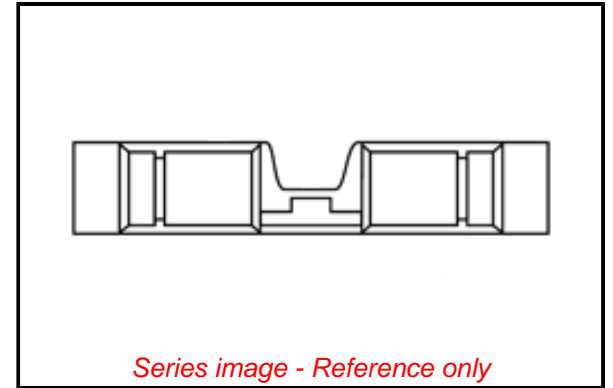
Product Family Splices
 Series [19200](#)
 Crimp Quality Equipment Yes
 UPC 800756726700

Physical

Net Weight 1.983/g

Material Info

Engineering Number BS-831T



EU ELV

Not Relevant

EU RoHS

Compliant

REACH SVHC

Not Contained Per -
 ED/108/2014 (17 Dec
 2014)

Halogen-Free

Status

Low-Halogen

For more information, please visit [Contact US](#)

China ROHS

Not Relevant

ELV

Not Relevant

RoHS Phthalates

Not Contained

Search Parts in this Series

[19200 Series](#)

Application Tooling | [FAQ](#)

Tooling specifications and manuals are found by selecting the products below. Crimp Height Specifications are then contained in the Application Tooling Specification document.

Global

Description

Product #

ATP Crimp Dies
 for the Tape Crimp
 Module and ATP-101
 & 301 Press

[192880118](#)