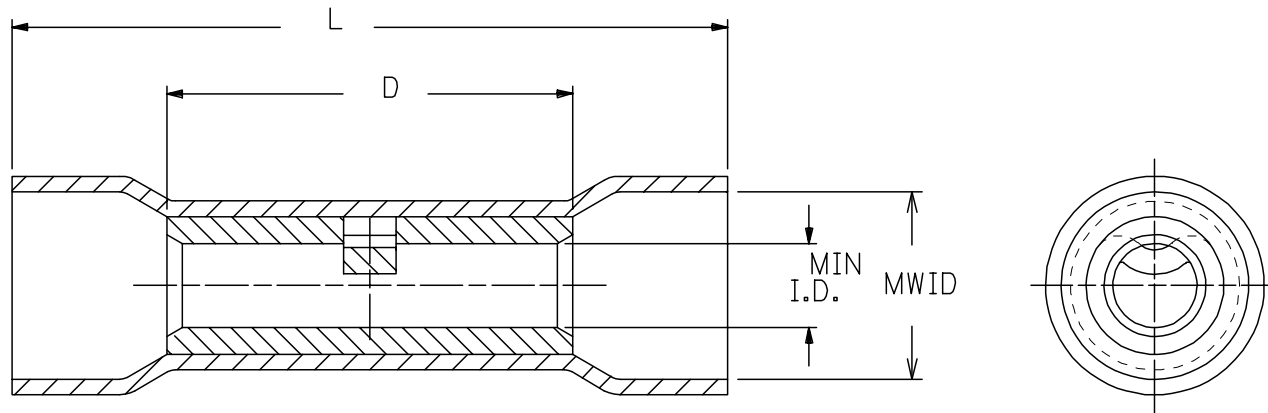


MATERIAL NUMBER	ENGINEERING NUMBER	WIRE SIZE	INSULATION COLOR	I.D. MIN.	MWID*	"D" MAX.	"L" MAX.
191540041	D-654X	8	RED	.165	.385	.864	1.510
191540045	E-662X	6	BLUE	.230	.440	1.045	1.855
191540048	F-664X	4	YELLOW	.277	.605	1.155	2.036
191540049	G-672X	2	RED	.357	.650	1.280	2.277

* MWID = MAXIMUM WIRE INSULATION DIAMETER



NOTES:

- CONNECTOR
MATERIAL: COPPER
PLATING: ELECTRO-TIN
- INSULATION
MATERIAL: PVC
COLOR: SEE CHART
- ALL COMPONENTS ARE ROHS COMPLIANT.

RERAWN & REVISED EC NO: ETC2007-0151 DRWNER: DRWNERHLE 2006/10/17 CHKD: JMACNEIL 2006/10/18 APPR: JMACNEIL 2006/10/18	QUALITY SYMBOLS	GENERAL TOLERANCES (UNLESS SPECIFIED)	DIMENSION STYLE	SCALE	DESIGN UNITS	THIRD ANGLE PROJECTION																		
	$\nabla=0$ $\nabla=0$	<table border="1"> <thead> <tr> <th></th> <th>mm</th> <th>INCH</th> </tr> </thead> <tbody> <tr> <td>4 PLACES</td> <td>±----</td> <td>±----</td> </tr> <tr> <td>3 PLACES</td> <td>±----</td> <td>±----</td> </tr> <tr> <td>2 PLACES</td> <td>±----</td> <td>±----</td> </tr> <tr> <td>1 PLACE</td> <td>±----</td> <td>±----</td> </tr> <tr> <td>ANGULAR</td> <td colspan="2">±----°</td> </tr> </tbody> </table>		mm	INCH	4 PLACES	±----	±----	3 PLACES	±----	±----	2 PLACES	±----	±----	1 PLACE	±----	±----	ANGULAR	±----°		INCH ONLY	---	INCH	
		mm	INCH																					
	4 PLACES	±----	±----																					
3 PLACES	±----	±----																						
2 PLACES	±----	±----																						
1 PLACE	±----	±----																						
ANGULAR	±----°																							
DESCRIPTION	DRAWN BY	DATE	TITLE																					
REV	RWD	1995/11/28	BUTT CONNECTOR, SEAMLESS, INSULKRIMP																					
	RWD	1995/11/28	MOLEX INCORPORATED																					
	MATERIAL NO.		DOCUMENT NO.		SHEET NO.																			
	SEE CHART		SD-19154-004		1 OF 1																			
	THIS DRAWING CONTAINS INFORMATION THAT IS PROPRIETARY TO MOLEX INCORPORATED AND SHOULD NOT BE USED WITHOUT WRITTEN PERMISSION																							