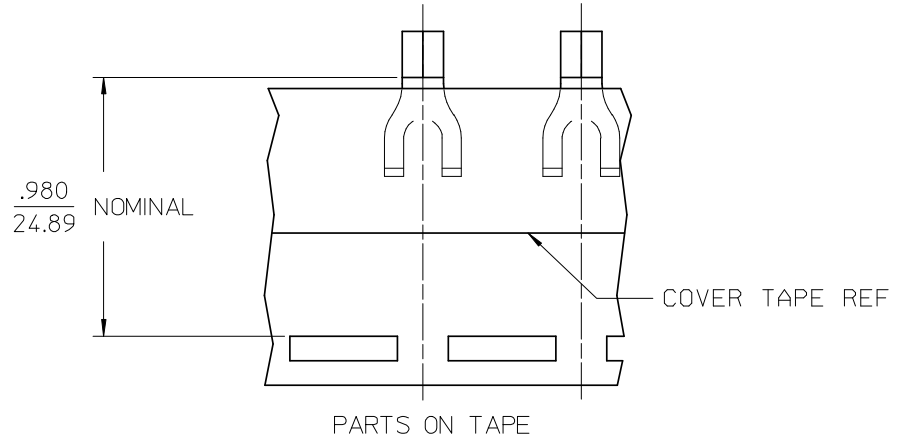
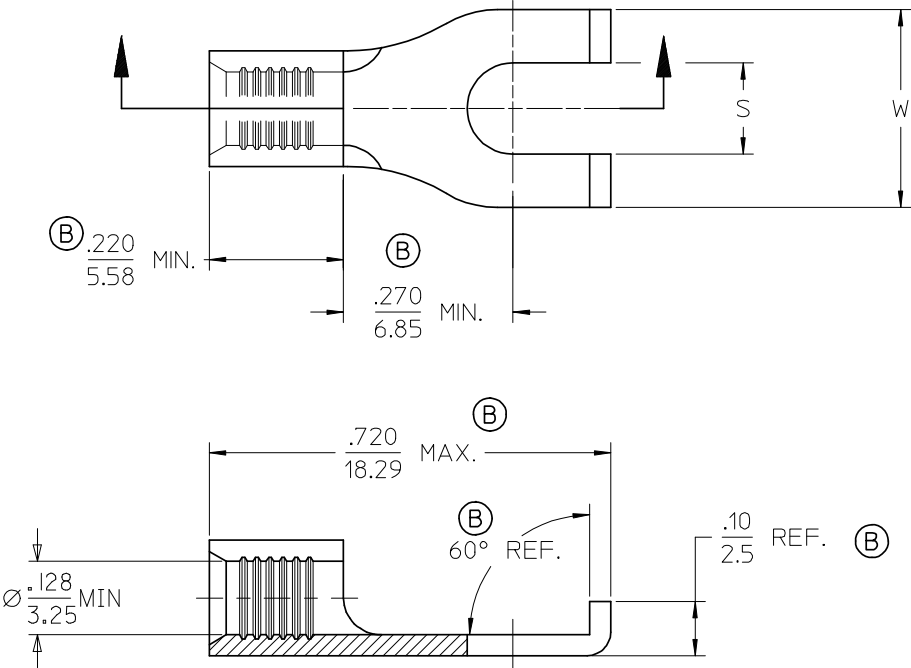


LOOSE PIECE		TAPE MOUNTED				
MATERIAL NUMBER	ENGINEERING NUMBER	MATERIAL NUMBER	ENGINEERING NUMBER	STUD SIZE	S ±.005	W MAX
191180084	C-117-06	191180130	C-117-06T	6	.146/3.71	.345/8.76 (B)
191180086	C-117-08	191180087	C-117-08T	8	.173/4.39	.385/9.78
191180088	C-117-10	191180090	C-1167-10T	10	.209/5.3 (B)	.385/9.78



SALES DRAWING

- NOTES:
1. MATERIAL: COPPER .040/1.02 THICK
 2. PLATING: ELECTRO-TIN
 3. PART IS RoHS COMPLIANT

(B)

ADD NOTE 3. REV. DIMS EC NO: ETC2008-0012 DRWN: RSTONE 2007/11/26 CHKD: JMACNEIL 2007/11/26 APPR: JMACNEIL 2007/12/05	QUALITY SYMBOLS ▽=0 ∇=0	GENERAL TOLERANCES (UNLESS SPECIFIED)		DIMENSION STYLE	SCALE	DESIGN UNITS	THIRD ANGLE PROJECTION	
				IN/MM	4:1	INCH		
		4 PLACES ±---	±---	DRAWN BY	DATE	TITLE		
		3 PLACES ±---	±.005	BENDERLE	2005/02/07	FLANGED SPADE TERMINAL, KRIMPTITE, 12-10 AWG		
2 PLACES ±0.13	±.01	CHECKED BY	DATE	MATERIAL NO.			SHEET NO.	
1 PLACE ±0.25	±---	R DEROSS	2005/02/07	SD-19118-002			1 OF 1	
ANGULAR ± 5 °		APPROVED BY	DATE	THIS DRAWING CONTAINS INFORMATION THAT IS PROPRIETARY TO MOLEX INCORPORATED AND SHOULD NOT BE USED WITHOUT WRITTEN PERMISSION				
DRAFT WHERE APPLICABLE MUST REMAIN WITHIN DIMENSIONS		R DEROSS	2005/02/07					