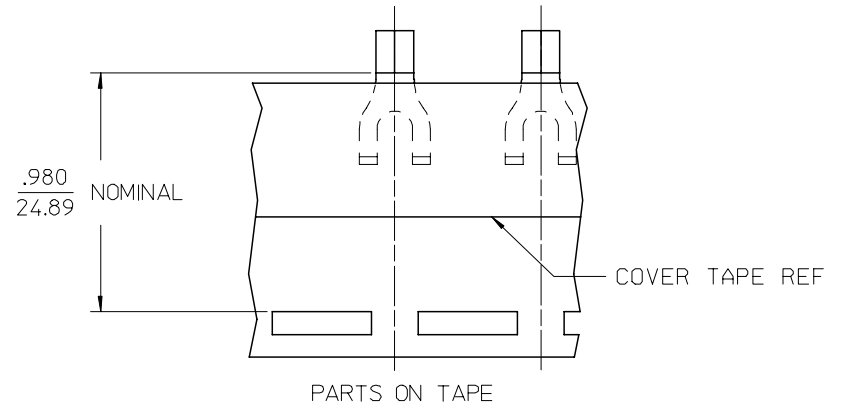
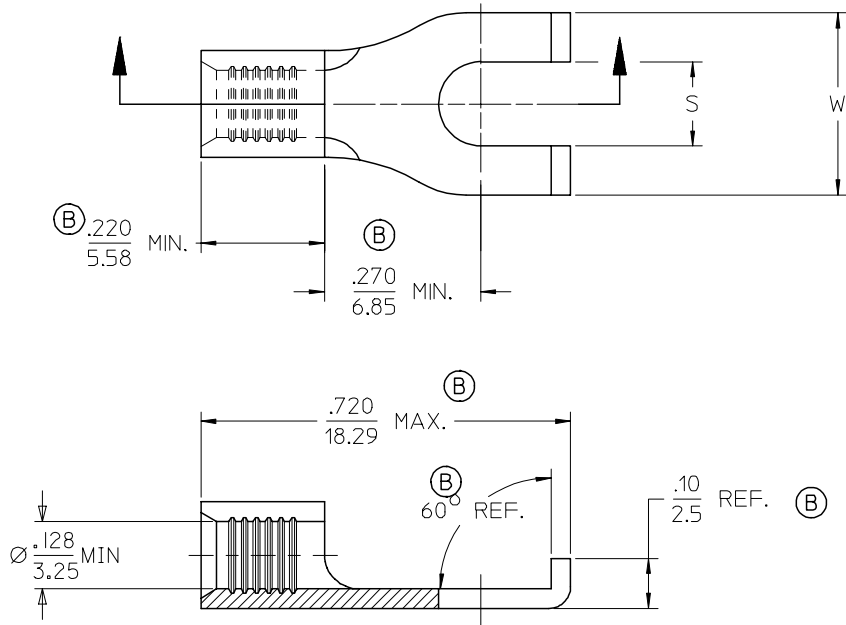


LOOSE PIECE

TAPE MOUNTED

| MATERIAL NUMBER | ENGINEERING NUMBER | MATERIAL NUMBER | ENGINEERING NUMBER | STUD SIZE | S ±.005      | W MAX         |
|-----------------|--------------------|-----------------|--------------------|-----------|--------------|---------------|
| 191180084       | C-117-06           | 191180130       | C-117-06T          | 6         | .146/3.71    | .345/8.76 (B) |
| 191180086       | C-117-08           | 191180087       | C-117-08T          | 8         | .173/4.39    | .385/9.78     |
| 191180088       | C-117-10           | 191180090       | C-1167-10T         | 10        | .209/5.3 (B) | .385/9.78     |



SALES DRAWING

NOTES:

1. MATERIAL: COPPER .040/1.02 THICK
2. PLATING: ELECTRO-TIN
- (B) 3. PART IS RoHS COMPLIANT

ADD NOTE 3. REV. DIMS  
 EC NO: ETC2008-0012  
 DRWR: RSTONE 2007/11/26  
 CHKD: JMAGNEIL 2007/11/26  
 APPR: JMAGNEIL 2007/12/05

| REV | DESCRIPTION |
|-----|-------------|
| B   |             |

| QUALITY SYMBOLS |    |
|-----------------|----|
|                 | =0 |
|                 | =0 |

| GENERAL TOLERANCES (UNLESS SPECIFIED) |              |
|---------------------------------------|--------------|
|                                       |              |
| 4 PLACES                              | ± --- ± ---  |
| 3 PLACES                              | ± --- ± .005 |
| 2 PLACES                              | ± 0.13 ± .01 |
| 1 PLACE                               | ± 0.25 ± --- |
| ANGULAR ± 5 °                         |              |

| DIMENSION STYLE |              |
|-----------------|--------------|
| IN/MM           |              |
| DRAWN BY        | DATE         |
| BENDERLE        | 2005/02/07   |
| CHECKED BY      | DATE         |
| R DEROSS        | 2005/02/07   |
| APPROVED BY     | DATE         |
| R DEROSS        | 2005/02/07   |
| MATERIAL NO.    | DOCUMENT NO. |
| SEE CHART       | SD-19118-002 |

| SCALE  | DESIGN UNITS | THIRD ANGLE PROJECTION |
|--|--------------|------------------------|
| 4:1  | INCH         |                        |
| TITLE  |              |                        |
| FLANGED SPADE TERMINAL, KRIMPTITE, 12-10 AWG |              |                        |
| MATERIAL NO.                                 |              |                        |
| MOLEX INCORPORATED                           |              |                        |
| DOCUMENT NO.                                 |              | SHEET NO.              |
| SD-19118-002                                 |              | 1 OF 1                 |