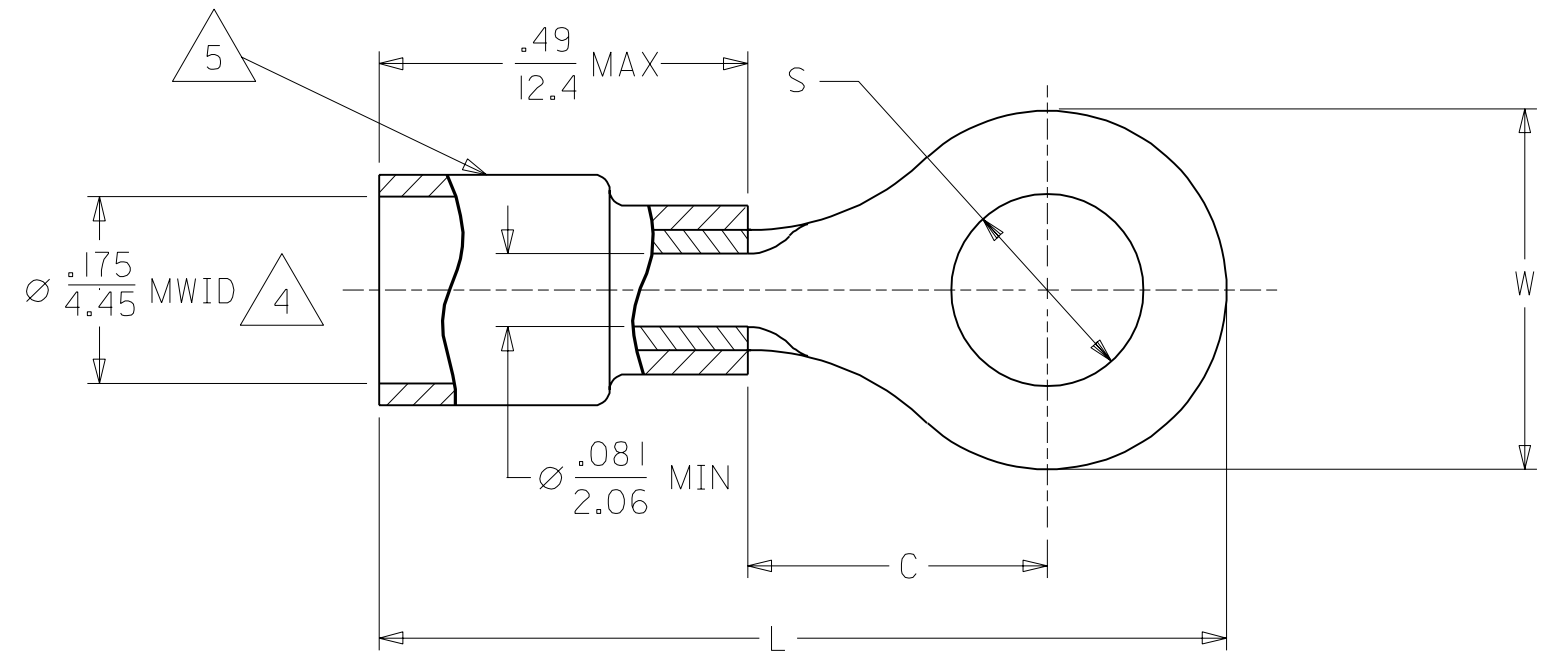
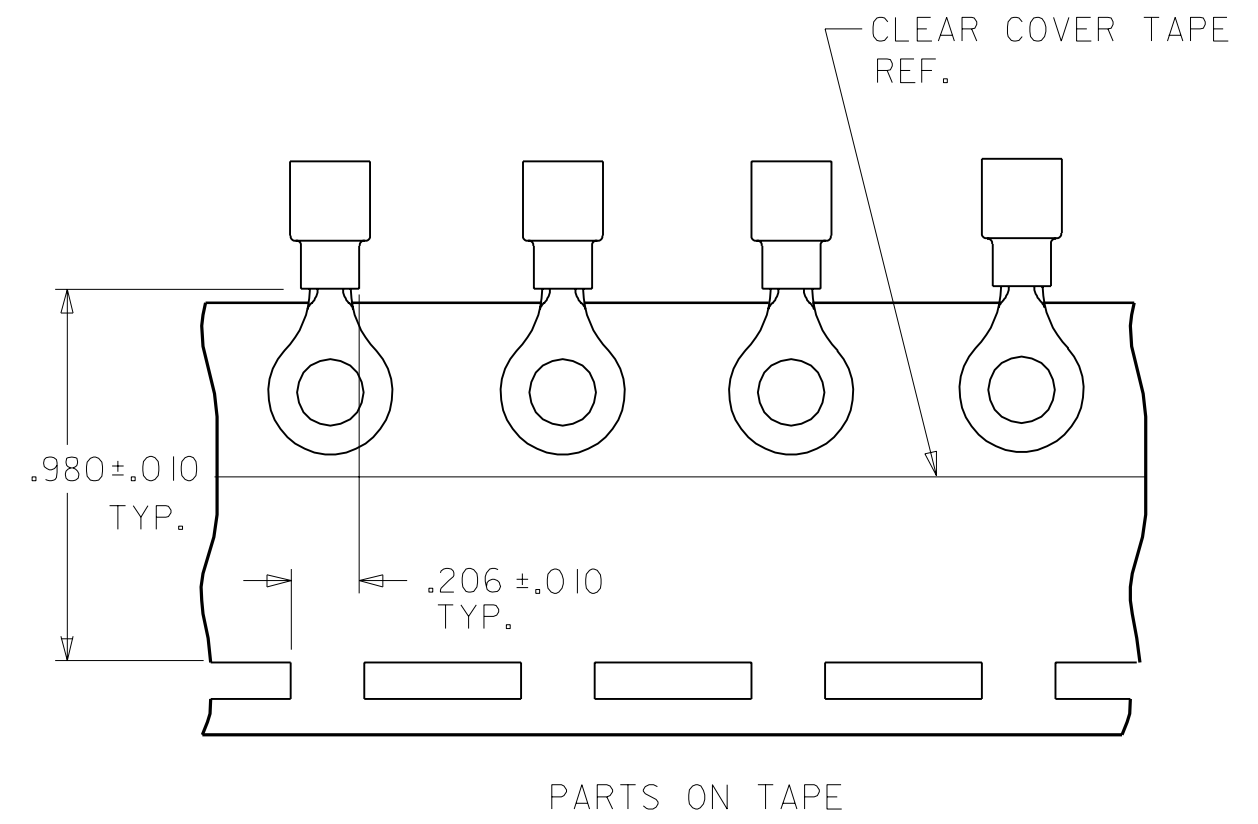


	10	9	8	7	6	5	4	3	2	1
	MATERIAL NUMBER	ALTERNATE NUMBER	STUD SIZE	"S"	"W"	"C" MIN	"L" MAX	PACKAGING		
F	190700268	BB-225-14XX	1/4	.265 (6.73)	.47 (11.9)	.38 (9.7)	1.13 (28.7)	LOOSE PIECE		
	190700269	BB-225-56XX	5/16	.328 (8.33)	.47 (11.9)	.38 (9.7)	1.13 (28.7)			
	190700270	BB-237-06XX	6	.146 (3.70)	.32 (8.1)	.29 (7.4)	.96 (24.4)			
	190700285	BB-237-08XX	8	.173 (4.39)	.32 (8.1)	.29 (7.4)	.96 (24.4)			
	190700322	BB-237-10XX	10	.198 (5.03)	.32 (8.1)	.29 (7.4)	.96 (24.4)			
E	190700271	BB-239-08XX	8	.173 (4.39)	.34 (8.6)	.31 (7.9)	1.01 (25.6)	TAPE MOUNTED		
	190700105	BB-239-10XX	10	.198 (5.03)	.34 (8.6)	.31 (7.9)	1.01 (25.6)			
	190700077	BB-225-14XXT	1/4	.265 (6.73)	.47 (11.9)	.38 (9.7)	1.13 (28.7)			
	190700080	BB-225-56XXT	5/16	.328 (8.33)	.47 (11.9)	.38 (9.7)	1.13 (28.7)			
	190700085	BB-237-06XXT	6	.146 (3.70)	.32 (8.1)	.29 (7.4)	.96 (24.4)			
	190700089	BB-237-08XXT	8	.173 (4.39)	.32 (8.1)	.29 (7.4)	.96 (24.4)			
	190700093	BB-237-10XXT	10	.198 (5.03)	.32 (8.1)	.29 (7.4)	.96 (24.4)			
	190700101	BB-239-08XXT	8	.173 (4.39)	.34 (8.6)	.31 (7.9)	1.01 (25.6)			
	190700106	BB-239-10XXT	10	.198 (5.03)	.34 (8.6)	.31 (7.9)	1.01 (25.6)			



- NOTES:
1. MATERIAL: 1/4 HARD COPPER
 2. PLATING: ELECTRO-TIN.
 3. ALL DIMENSIONS IN INCHES/(MM).
 4. MWID = MAXIMUM WIRE INSULATION DIAMETER.
 5. INSULATION: PVC (BLUE)

CUSTOMER DRAWING

DIMENSIONS SHOWN (METRIC) INCH		REVISE ONLY ON CAD SYSTEM																					
UNLESS OTHERWISE SPECIFIED TOLERANCES: ANGULAR ± 1/2°		TITLE																					
<table border="1"> <thead> <tr> <th></th> <th>INCH</th> <th>METRIC</th> </tr> </thead> <tbody> <tr> <td>3 PLACE</td> <td>± .005</td> <td>± ---</td> </tr> <tr> <td>2 PLACE</td> <td>± .01</td> <td>± 0.13</td> </tr> <tr> <td>1 PLACE</td> <td>± ---</td> <td>± 0.25</td> </tr> </tbody> </table>			INCH	METRIC	3 PLACE	± .005	± ---	2 PLACE	± .01	± 0.13	1 PLACE	± ---	± 0.25	RING TONGUE TERMINAL 16-14 AWG INSULKRIMP EXPD									
	INCH	METRIC																					
3 PLACE	± .005	± ---																					
2 PLACE	± .01	± 0.13																					
1 PLACE	± ---	± 0.25																					
DRAFT WHERE APPLICABLE MUST REMAIN WITHIN DIMENSIONS		SHEET NO. DATE 1 OF 1 00/09/06																					
<table border="1"> <tr> <td>DRWG. BY</td> <td>HEB</td> <td>CHK'D. BY</td> <td>RWD</td> </tr> <tr> <td>APP'D. BY</td> <td>RWD</td> <td>SCALE</td> <td>NONE</td> </tr> </table>		DRWG. BY	HEB	CHK'D. BY	RWD	APP'D. BY	RWD	SCALE	NONE	<table border="1"> <tr> <td>PART NO.</td> <td>SD-19069-005</td> <td>DRWG. NO.</td> <td>SD-19069-005</td> </tr> <tr> <td>FILE NAME</td> <td>SD19069005.DGN</td> <td>DIV.</td> <td>ET</td> </tr> <tr> <td colspan="2">THIS DRAWING CONTAINS INFORMATION THAT IS PROPRIETARY TO MOLEX-ETC INC. AND SHOULD NOT BE USED WITHOUT WRITTEN PERMISSION.</td> <td>SIZE</td> <td>B</td> </tr> </table>		PART NO.	SD-19069-005	DRWG. NO.	SD-19069-005	FILE NAME	SD19069005.DGN	DIV.	ET	THIS DRAWING CONTAINS INFORMATION THAT IS PROPRIETARY TO MOLEX-ETC INC. AND SHOULD NOT BE USED WITHOUT WRITTEN PERMISSION.		SIZE	B
DRWG. BY	HEB	CHK'D. BY	RWD																				
APP'D. BY	RWD	SCALE	NONE																				
PART NO.	SD-19069-005	DRWG. NO.	SD-19069-005																				
FILE NAME	SD19069005.DGN	DIV.	ET																				
THIS DRAWING CONTAINS INFORMATION THAT IS PROPRIETARY TO MOLEX-ETC INC. AND SHOULD NOT BE USED WITHOUT WRITTEN PERMISSION.		SIZE	B																				

A	DRAWN TO CAD ETC2001-0187 BRE 2000-09-06
LTR.	REVISIONS