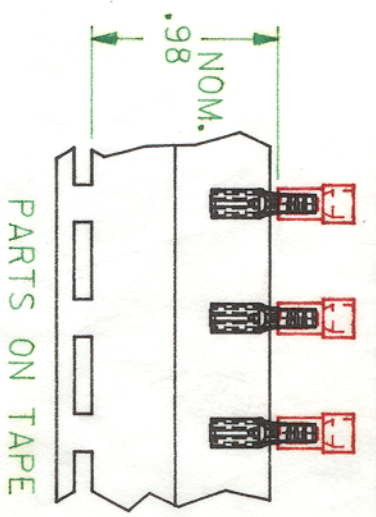
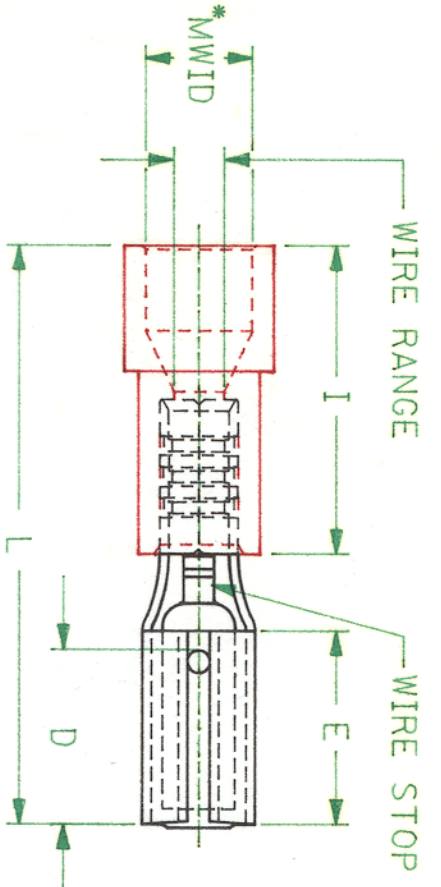


DRWG. NO. CD-2903



MATERIAL: BRASS
 FINISH: ELECTRO-TIN PLATING
 INSULATION: PVC

*MWID=MAXIMUM WIRE INSULATION DIAMETER

PART NUMBERS ARE FOR LOOSE PIECE TO ORDER PARTS ON TAPE ADD A "T" TO END OF PART NUMBER

PART NUMBER	INS. COLOR	WIRE RANGE AWG	WIRE RANGE MM ²	FITS MALE TAB SIZE	STOCK THICK.	"L" MAX.	"T" MAX.	"W" MAX.	"D" ±.01	"H" ±.01	"E" NOM.	MWID
AA-2134	RED	22-18	0.25-1.3	.110x.032	.012	.78	.41	.16	.210	.08	.25	.13
BB-2135	BLUE	16-14	1.0-2.6	.110x.032	.012	.78	.41	.16	.210	.08	.25	.14
AA-2131	RED	22-18	0.25-1.3	.110x.020	.012	.78	.41	.16	.210	.07	.25	.13
BB-2132	BLUE	16-14	1.0-2.6	.110x.020	.012	.78	.41	.16	.210	.07	.25	.14

REVISIONS ONLY ON CAD SYSTEM

INSULKRIMP
 QUICK DISCONNECTS

CUSTOMER DRAWING

DRWG. BY RCM
 CHK'D. BY
 APP'D. BY
 SCALE NO:NE

ETC INC.
 PINELLAS PARK, FLA. 34665 U.S.A.

THIS DRAWING CONTAINS INFORMATION THAT IS PROPRIETARY TO MOLEX-ETC INC. AND SHOULD NOT BE USED WITHOUT WRITTEN PERMISSION.

SHEET NO. DATE 11/27/90
 FILE NAME SEE TABLE CD-2903
 DIV. SIZE A