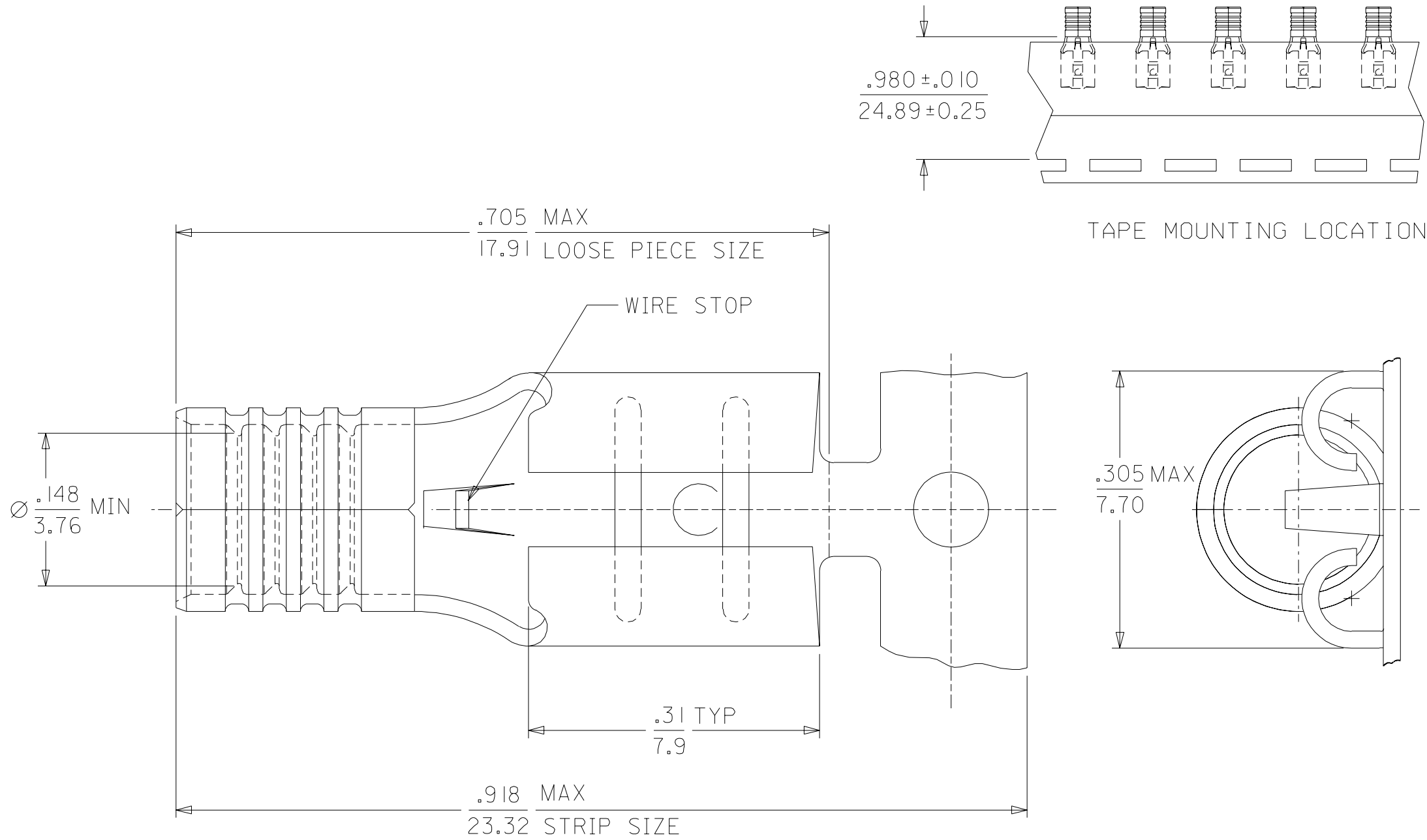


MATERIAL NUMBER	ENGINEERING NUMBER	PACKAGING
190160069	C-1143	LOOSE PIECE
190160073	CZ-1143	STRIP
190160070	C-1143T	TAPE



TAPE MOUNTING LOCATION

SALES DRAWING

NOTES:
 1. MATERIAL: COPPER.
 PLATING: ELECTRO-TIN

NEW RELEASE EC NO. ETC2003-0024 DRWN: BRE 02/07/30 CHK: HEB 02/07/30 APPR: RWD 02/07/30	QUALITY SYMBOLS MAJOR $\nabla=0$ CRITICAL $\nabla C=0$	GENERAL TOLERANCES: (UNLESS SPECIFIED)		SCALE 10:1	DESIGN UNITS <input type="checkbox"/> mm <input checked="" type="checkbox"/> INCH	THIRD ANGLE PROJECTION	DIMENSIONS: <input type="checkbox"/> mm <input checked="" type="checkbox"/> INCH <input type="checkbox"/> mm ONLY	SHT REV	
		4 PLACES $\pm 0.$ $\pm .$		DRAWN BY & DATE BRE 02/07/23		TITLE: QUICK DISCONNECT RECEPTACLE 12-10 AWG .250 X .032 TAB SIZE			
		3 PLACES $\pm 0.$ $\pm .005$		CHECKED BY & DATE HEB 02/07/23		MOLEX INCORPORATED			
		2 PLACES ± 0.13 $\pm .01$		APPROVED BY & DATE RWD 02/07/23		CAD FILENAME		MATERIAL NO. SEE CHART	DRAWING NO. SD-19016-002
1 PLACE ± 0.25 $\pm .$		ANGULAR: $\pm 1/2^\circ$		THIS DRAWING CONTAINS INFORMATION THAT IS PROPRIETARY TO MOLEX INCORPORATED AND SHOULD NOT BE USED WITHOUT WRITTEN PERMISSION.				SIZE B	
A	REV	DRAFT WHERE APPLICABLE MUST REMAIN WITHIN DIMENSIONS							