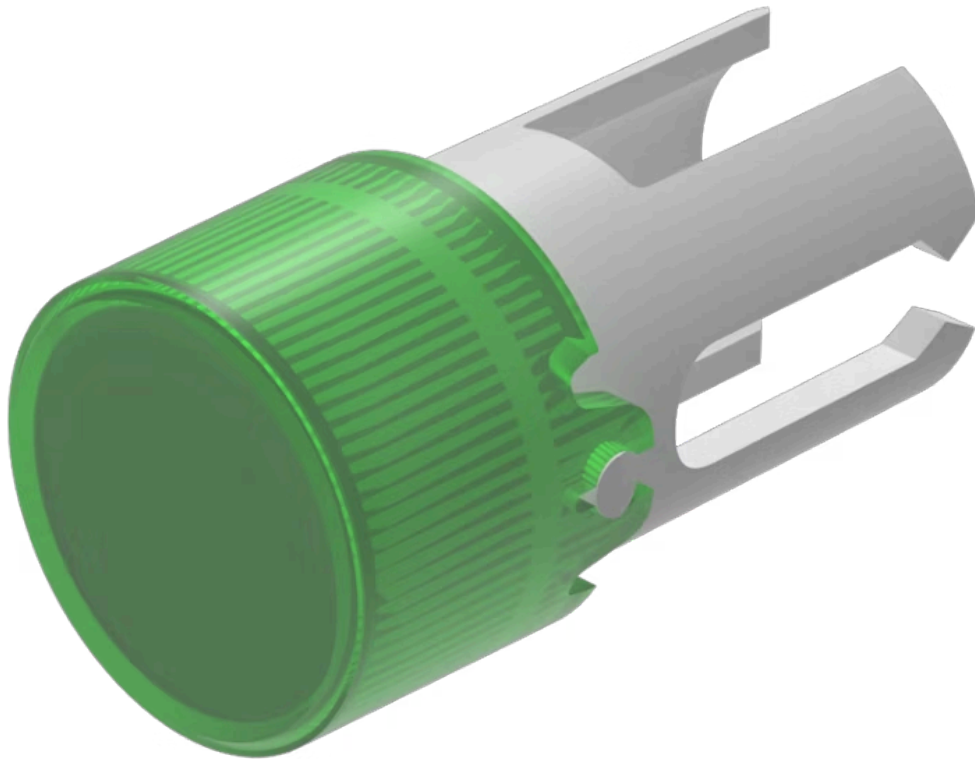


# Lens

19-  
932.5



<https://eao.com/p/19-932.5>

Your product:

---



## 19-932.5 Lens

### OPERATING-/INDICATION PART

<b>Lens optics:</b>	transparent
<b>Lens material:</b>	Plastic
<b>Lens shape:</b>	flush
<b>Lens illumination:</b>	illuminative
<b>Lens colour:</b>	Green

### MECHANICAL CHARACTERISTIC

<b>Weight:</b>	0.001 kg
----------------	----------

### OTHER

<b>Short Description:</b>	Lens, Ø 7.3 mm, illuminative, Green, flush, Plastic
<b>Dimension:</b>	Ø 7.3 mm