

# Actuator

19-  
452.035



<https://eao.com/p/19-452.035>

Your product:

---



## 19-452.035 Actuator

### FRONT

<b>Front dimension:</b>	9 mm x 9 mm
<b>Front bezel material:</b>	Plastic
<b>Front bezel colour:</b>	Black

### MOUNTING

<b>Design:</b>	raised
<b>Mounting cut-out:</b>	Ø 8 mm

### OPERATING-/INDICATION PART

<b>Lens illumination:</b>	illuminative
---------------------------	--------------

### ELECTRICAL CHARACTERISTICS

<b>Electric strength:</b>	2500 VAC, 50 Hz, 1 minute, as per IEC 60512-2-11 between all terminals and earth
<b>Contacts:</b>	1 NC
<b>Switching voltage and switching current:</b>	100 mA at 42 VAC/VDC

### MECHANICAL CHARACTERISTIC

<b>Switching action:</b>	Momentary
<b>Terminal:</b>	Plug-in terminal, 2 x 0.5 mm
<b>Tightening torque:</b>	Fixing nut max. 0.2 Nm
<b>Operating force:</b>	1.8 N ±0.3 N
<b>Contact material:</b>	

Gold

<b>Switching system:</b>	This low-level switching element was developed for low switching voltages and currents. Single-break momentary contact, as normally open or normally closed with 4 independent points of contact.
<b>Mechanical lifetime:</b>	5 Mio. cycles of operation
<b>Weight:</b>	0.002 kg
<b>Switching system:</b>	Low-level element
<b>Operating Travel:</b>	ca. 2.8 mm ± 0.2 mm
<b>Wire cross section:</b>	Max. wire diameter 2 wires à 0.8 mm Max. wire cross-section of stranded cable 1 x 0.75 mm <sup>2</sup>

### AMBIENT CONDITION

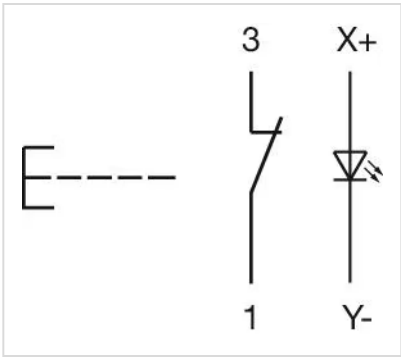
<b>Operating temperature:</b>	- 25 °C ... + 45 °C with filament lamp, - 25 °C ... + 65 °C with LED, - 25 °C ... + 65 °C without illumination, mounted as a block, make sure the heat can escape freely
<b>Shock resistance:</b>	15 g for 11 ms, as per DIN/EN 60512-4-3, IEC 60068-2-27 (Single impacts, semi-sinusoidal)
<b>IP Protection:</b>	IP40 front side, according to DIN EN 60529
<b>Storage temperature:</b>	- 40 °C ... + 85 °C

### CERTIFICATE

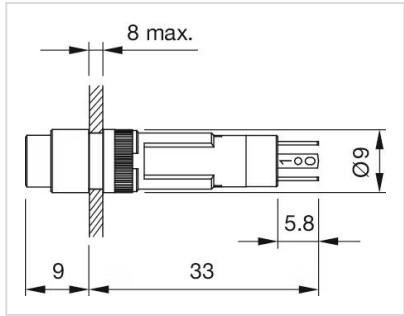
<b>Conformities:</b>	2011 / 65 / EC (RoHS)
----------------------	-----------------------

### OTHER

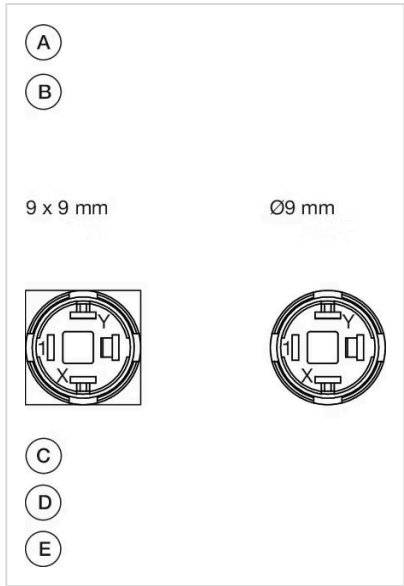
<b>Housing colour:</b>	Black
<b>Internal size:</b>	7,3 mm x 7,3 mm
<b>Short Description:</b>	Actuator, Ø 8 mm, 9 mm x 9 mm, illuminative, Black, Plastic, 1 NC, Momentary, Plug-in terminal, 2 x 0.5 mm
<b>Housing material:</b>	Plastic
<b>Wiring diagrams:</b>	



**Dimension drawings:**



**Component layouts:**



**Mounting cut-outs:**

