

Actuator

19-
159.015



<https://eao.com/p/19-159.015>

Your product:



19-159.015 Actuator

FRONT

Front dimension:	9 mm x 9 mm
Front bezel material:	Plastic
Front bezel colour:	Black

MOUNTING

Design:	raised
Mounting cut-out:	Ø 8 mm

OPERATING-/INDICATION PART

Lens illumination:	illuminative
---------------------------	--------------

ELECTRICAL CHARACTERISTICS

Switching voltage and switching current:	Silver plated 50 VAC, 0.8 A/72 VDC, 0.7 A Gold plated 50 VAC, 100 mA/72 VDC, 70 mA
Contacts:	1 NO
Electric strength:	2500 VAC, 50 Hz, 1 minute, as per IEC 60512-2-11 between all terminals and earth

MECHANICAL CHARACTERISTIC

Contact material:	Silver
Terminal:	Plug-in terminal, 2 x 0.5 mm
Tightening torque:	Fixing nut max. 0.2 Nm

Mechanical lifetime:	2 Mio. cycles of operation
Wire cross section:	Max. wire diameter 2 wires à 0.8 mm Max. wire cross-section of stranded cable 1 x 0.75 mm ²
Operating Travel:	ca. 2.8 mm ± 0.2 mm
Switching system:	Single-break, snap-action switching system with 1 normally open contact
Operating force:	1.8 N ±0.3 N
Switching system:	Snap-action switching element
Weight:	0.002 kg
Switching action:	Momentary

AMBIENT CONDITION

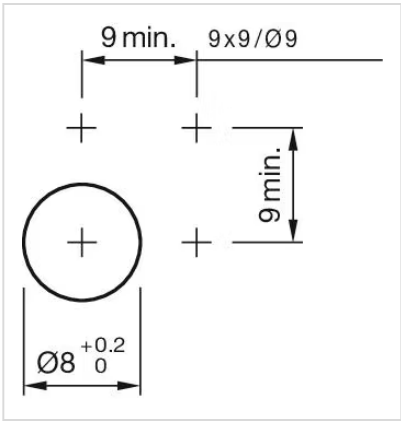
Operating temperature:	- 25 °C ... + 45 °C with filament lamp, - 25 °C ... + 65 °C with LED, - 25 °C ... + 65 °C without illumination, mounted as a block, make sure the heat can escape freely
Storage temperature:	- 40 °C ... + 85 °C
IP Protection:	IP40 front side, according to DIN EN 60529

CERTIFICATE

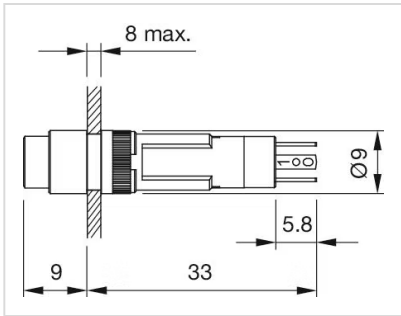
Conformities:	2011 / 65 / EC (RoHS)
----------------------	-----------------------

OTHER

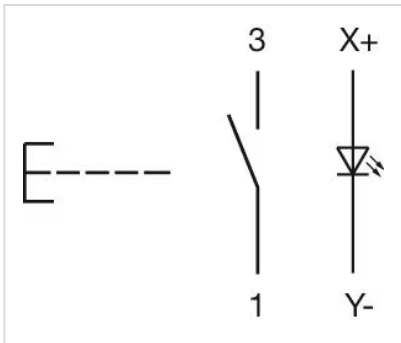
Housing material:	Plastic
Housing colour:	Black
Internal size:	7,3 mm x 7,3 mm
Short Description:	Actuator, Ø 8 mm, 9 mm x 9 mm, illuminative, Black, Plastic, 1 NO, Momentary, Plug-in terminal, 2 x 0.5 mm
Mounting cut-outs:	



Dimension drawings:



Wiring diagrams:



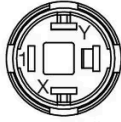
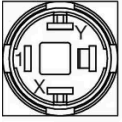
Component layouts:

A

B

9 x 9 mm

Ø9 mm



C

D

E