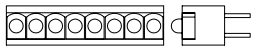
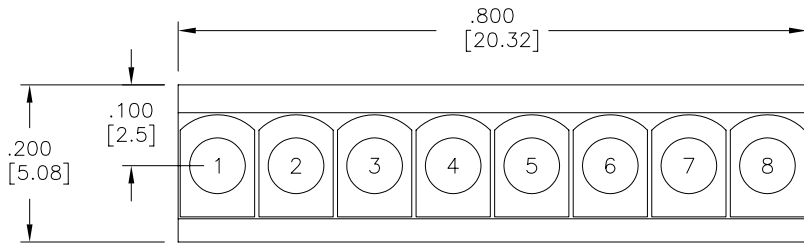


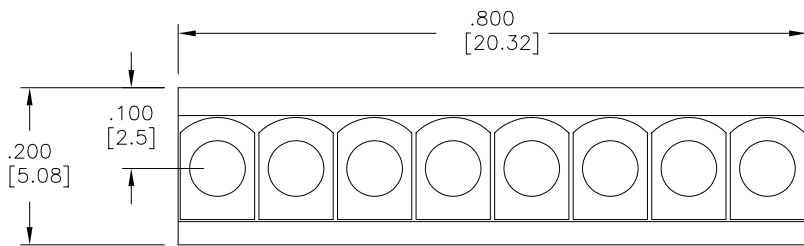
Actual Size



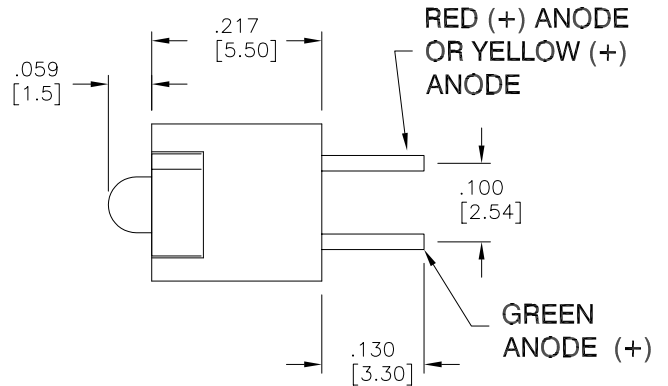
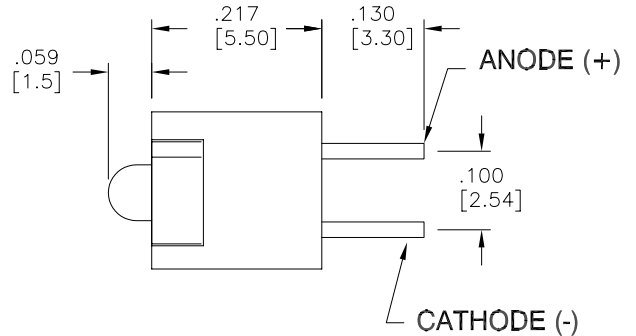
LTR	REVISION	DATE	APPD
-	RELEASED	08-24-99	
A	RVSD PER ECR #082699-RM01	08-14-99	RM
B	RVSD PER ECR #012500-RA01	02-08-00	SA



**SINGLE COLOR**



**BI-COLOR**



**ALL LEDS SAME COLOR**

**18PCV070TG4**

BODY STYLE — LED COLOR, BRIGHTNESS CODE  
 LENS TYPE: T=DIFFUSED C=CLEAR

**MIX COLORS**

**18PCV070T4-2R6G**

BODY STYLE — LED 3 TO 6 COLOR  
 LENS TYPE: T=DIFFUSED C=CLEAR  
 BRIGHTNESS CODE — LED 1, 2 COLOR

**NOTES**

- LED SHALL SHOW NO SCRATCHES.
- INSPECT LEADS TO BE PARALLEL AND STRAIGHT WITH A STRAIGHT CUT
- TEST FOR COLOR AND POLARITY
- ILLUMINATE ALL LEDS AT THE SAME TIME FOR COMPARISON, VISUALLY ALL LEDS SHOULD HAVE THE SAME BRIGHTNESS.
- ELECTRICAL TEST IN ACCORDANCE WITH TEST TABLE.
- FINAL WEIGHT/COUNT OF ALL PARTS.

R	HI-EFF RED	DIFFUSED	10	2.0/2.6	12.5	635
Y	YELLOW	DIFFUSED	10	2.1/2.6	5.5	590
G	HI-EFF GREEN	DIFFUSED	10	2.2/2.6	5.5	565
RG	HI-EFF RED	MILKY WHITE	10	2.0/2.6	4.0	635
	HI-EFF GREEN		10	2.2/2.6	4.0	568
YG	YELLOW	MILKY WHITE	10	2.1/2.6	2.4	585
	HI-EFF GREEN		10	2.0/2.6	4.0	568
COLOR CODE	COLOR EMITTED	COLOR EMITTED	I mA typ	VOLTS typ/max	Iv mcd typ	λP nm
ELECTRICAL TEST						

**LED**<sup>®</sup>  
**LEDTRONICS, INC.**<sup>™</sup>  
 23105 KASHIWA COURT  
 TORRANCE, CA 90505

**-PROPRIETARY-**  
 This document contains Proprietary information of LEDTRONICS, INC. It may not be copied, used or disclosed for any purpose without the prior express written consent of LEDTRONICS, INC.  
 .XXX ± .010 TOLERANCE PER ANSI-Y14.5  
 .XX ± .025 (UNLESS OTHERWISE STATED)  
 ANGLES ± 0°,30'  
 FRACT. ± 1/32

TITLE			
<b>18PCV070TX4 (T4-XXXX)</b>			
DWG NO	SCALE	SHEET	DATE
SDPC0376	4:1	1 OF 1	08-24-99
CODE IDENT NO.	DWG BY	CHK BY	QA
8Z410	SMA		JCH
			MFG RA
			02-08-0002-08-00
			CUSTOMER