

1897422-1 ✓ ACTIVE



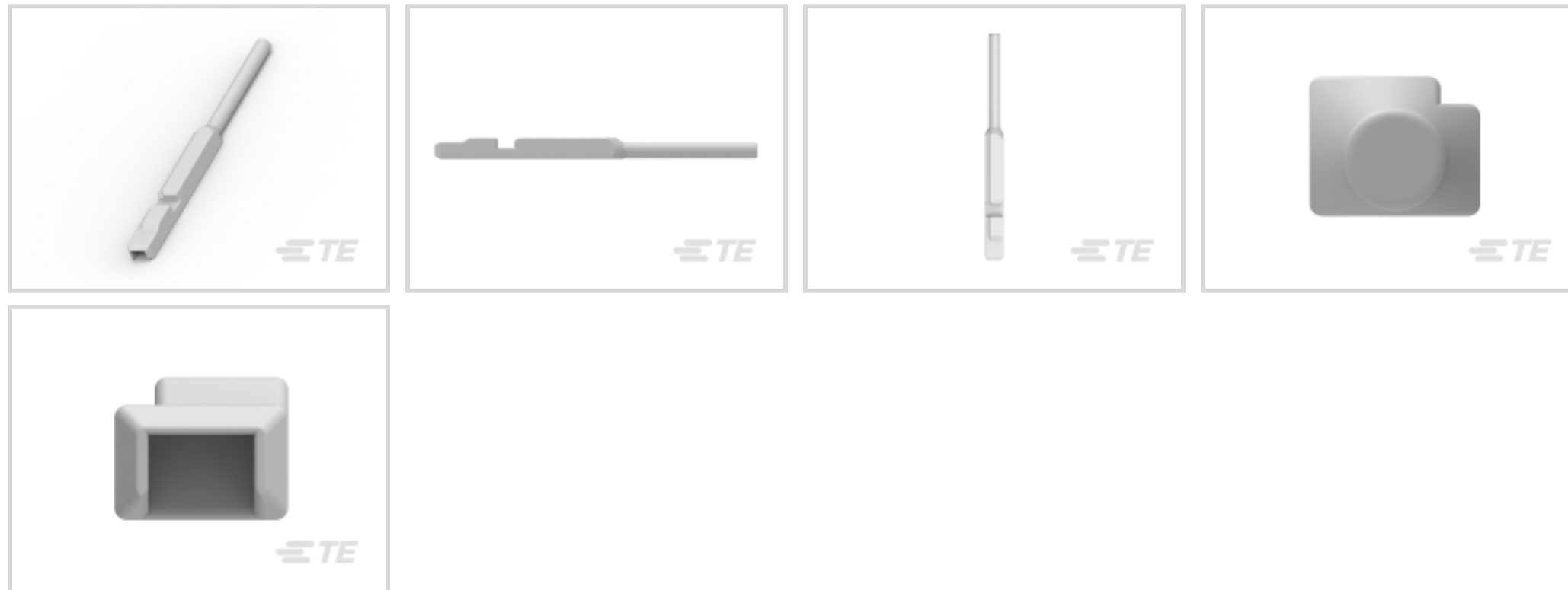
MQS

TE Internal #: 1897422-1

Cavity Plug, PA GF, Natural, -40 – 120 °C [-40 – 248 °F] Operating Temperature, MQS

[View on TE.com >](#)

Connectors > Connector Accessories > Connector Seals & Cavity Plugs



Connector Seal & Plug Type: **Cavity Plug**

Primary Product Material: **PA GF**

Primary Product Color: **Natural**

Operating Temperature (Max): **120 °C [ 248 °F ]**

Operating Temperature Range: **-40 – 120 °C [ -40 – 248 °F ]**

## Features

### Product Type Features

Connector Seal & Plug Type	Cavity Plug
----------------------------	-------------

### Body Features

Primary Product Material	PA GF
Primary Product Color	Natural

### Usage Conditions

Operating Temperature (Max)	120 °C[248 °F]
Operating Temperature Range	-40 – 120 °C[-40 – 248 °F]

### Industry Standards

UL Flammability Rating	None
------------------------	------

### Packaging Features

Packaging Quantity	5000
Packaging Method	Bag

## Product Compliance



[For compliance documentation, visit the product page on TE.com>](#)

EU RoHS Directive 2011/65/EU	Compliant
EU ELV Directive 2000/53/EC	Compliant
China RoHS 2 Directive MIIT Order No 32, 2016	No Restricted Materials Above Threshold
EU REACH Regulation (EC) No. 1907/2006	Current ECHA Candidate List: JUNE 2023 (235) Candidate List Declared Against: JUNE 2023 (235) Does not contain REACH SVHC
Halogen Content	Low Halogen - Br, Cl, F, I < 900 ppm per homogenous material. Also BFR/CFR/PVC Free
Solder Process Capability	Not applicable for solder process capability

Product Compliance Disclaimer

This information is provided based on reasonable inquiry of our suppliers and represents our current actual knowledge based on the information they provided. This information is subject to change. The part numbers that TE has identified as EU RoHS compliant have a maximum concentration of 0.1% by weight in homogenous materials for lead, hexavalent chromium, mercury, PBB, PBDE, DBP, BBP, DEHP, DIBP, and 0.01% for cadmium, or qualify for an exemption to these limits as defined in the Annexes of Directive 2011/65/EU (RoHS2). Finished electrical and electronic equipment products will be CE marked as required by Directive 2011/65/EU. Components may not be CE marked. Additionally, the part numbers that TE has identified as EU ELV compliant have a maximum concentration of 0.1% by weight in homogenous materials for lead, hexavalent chromium, and mercury, and 0.01% for cadmium, or qualify for an exemption to these limits as defined in the Annexes of Directive 2000/53/EC (ELV). Regarding the REACH Regulation, the information TE provides on SVHC in articles for this part number is based on the latest European Chemicals Agency (ECHA) 'Guidance on requirements for substances in articles' posted at this URL: <https://echa.europa.eu/guidance-documents/guidance-on-reach>

## Compatible Parts



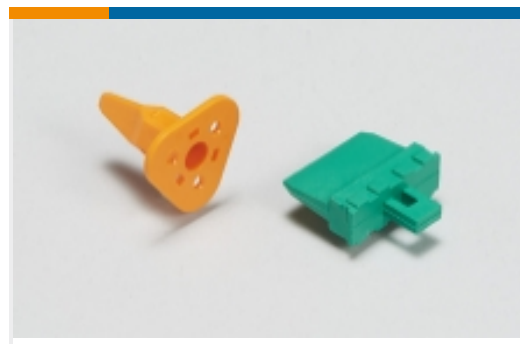
Also in the Series | **MQS**



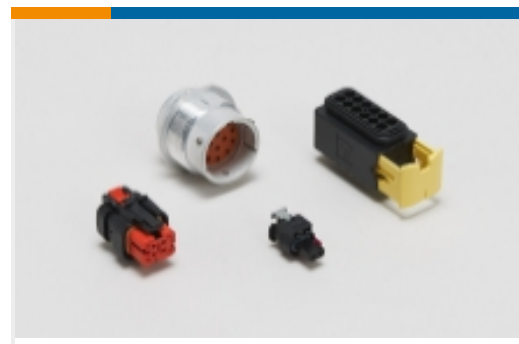
Automotive Connector Caps & Covers (111)



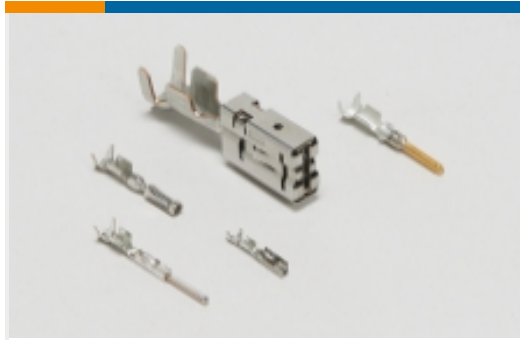
Automotive Connector EMC Shielding (3)



Automotive Connector Locks & Position Assurance(27)



Automotive Housings(375)



Automotive Terminals(88)



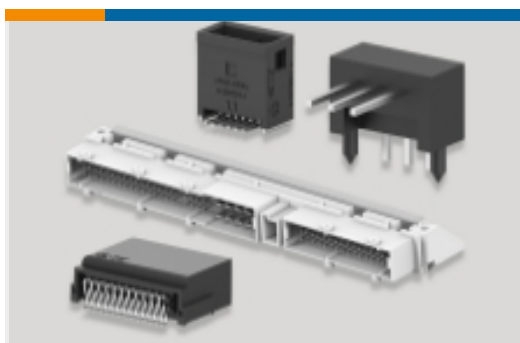
Connector Seals & Cavity Plugs(26)



Insertion & Extraction Tools(42)

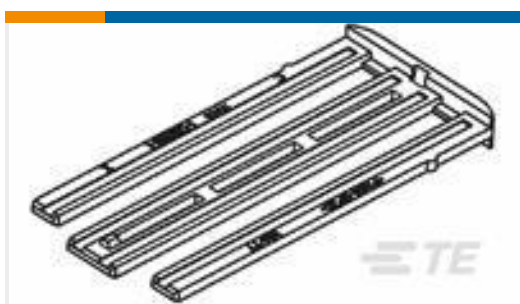


Other Automotive Connector Accessories(7)



PCB Headers & Receptacles(143)

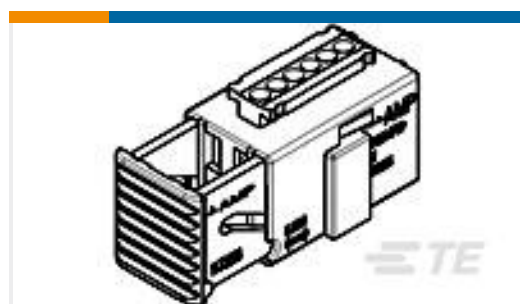
## Customers Also Bought



TE Part #1-1355118-1  
RETAINER FOR 60POS SOCKET HSG



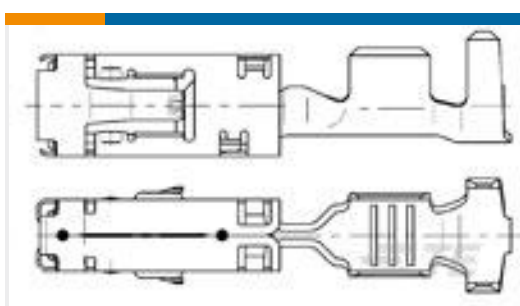
TE Part #2209545-9  
94P PLUG ASSY, NORMAL CODING



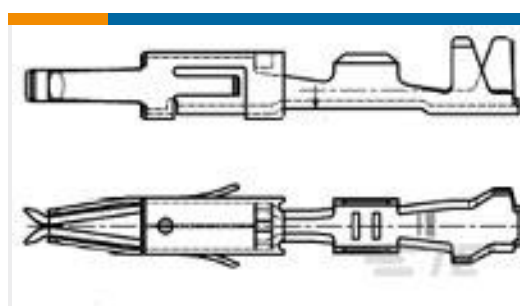
TE Part #1473284-1  
MICRO TIMER II 6POS PLUG ASSY



TE Part #1452158-1  
MQS1,5 Sn rec CB unseal. 0,35-0,5



TE Part #967542-2  
SENS FLA-KONT 2,8



TE Part #962875-1  
MT2 REC 1.6 Contact SWS Sn



TE Part #1473288-1  
MICRO TIMER II 6POS SECONDARY



TE Part #1-1355135-1  
RETAINER 94P



## Documents

### Product Drawings

#### SEALING PLUG CONTACT DUMMY(1.5mm)

English

### CAD Files

#### 3D PDF

3D

#### Customer View Model

[ENG\\_CVM\\_CVM\\_1897422-1\\_A.2d\\_dxf.zip](#)

English

#### Customer View Model

[ENG\\_CVM\\_CVM\\_1897422-1\\_A.3d\\_igs.zip](#)

English

#### Customer View Model

[ENG\\_CVM\\_CVM\\_1897422-1\\_A.3d\\_stp.zip](#)

English

By downloading the CAD file I accept and agree to the [Terms and Conditions](#) of use.

### Product Specifications

#### Product Specification

English