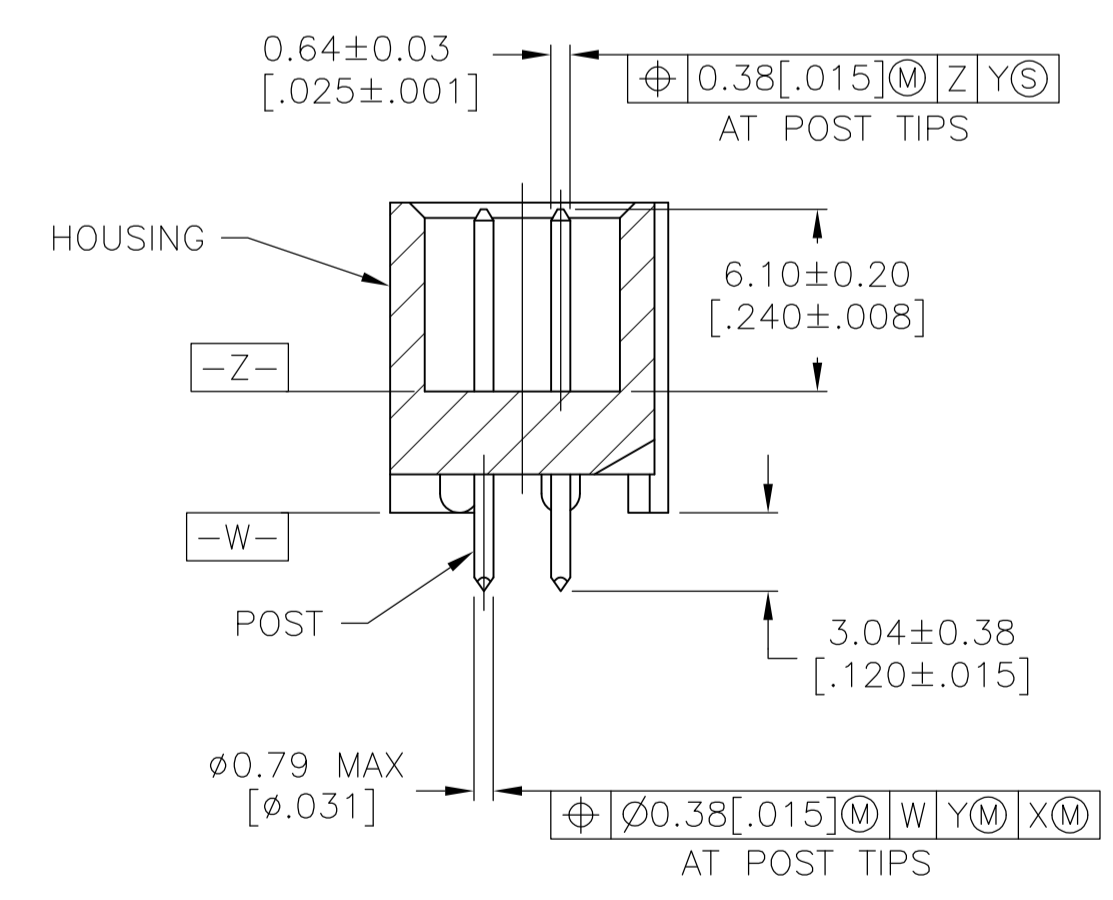
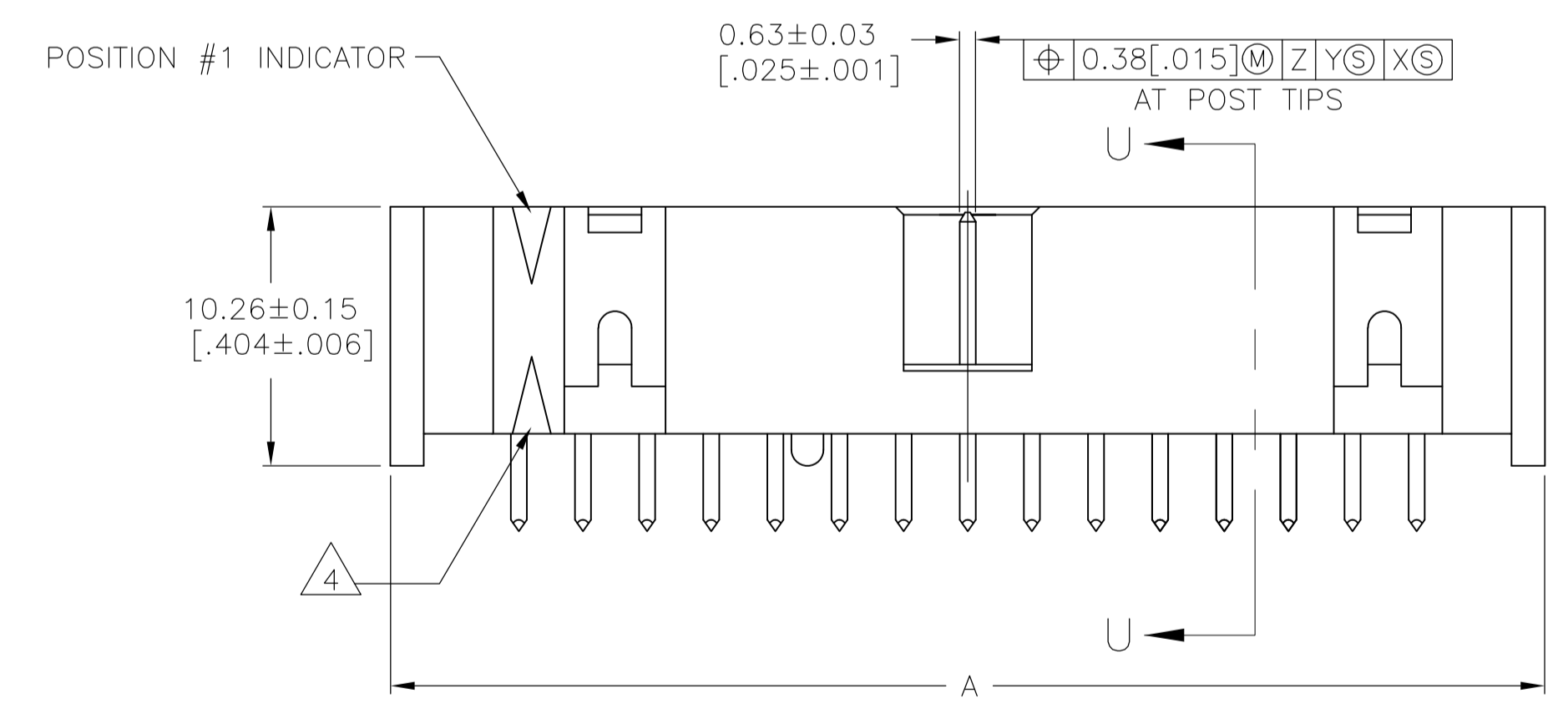
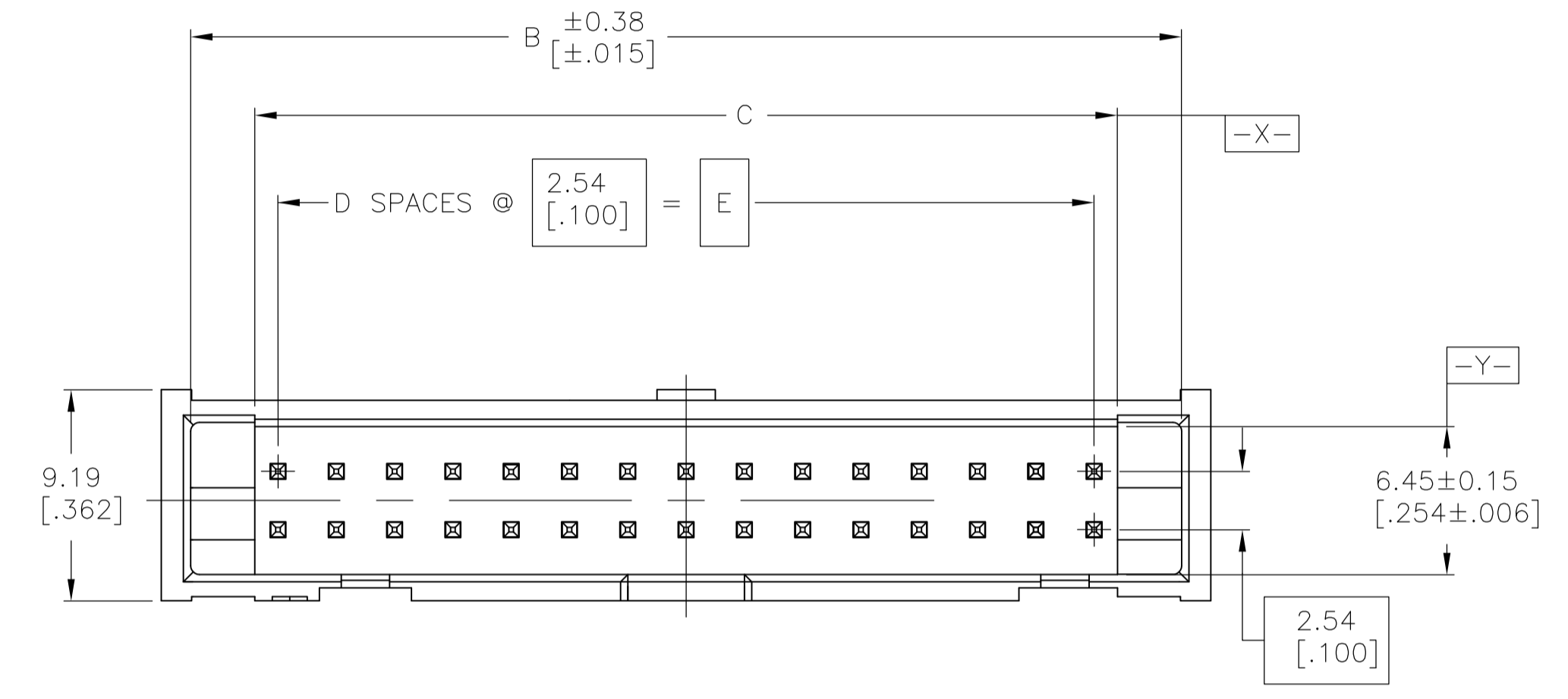
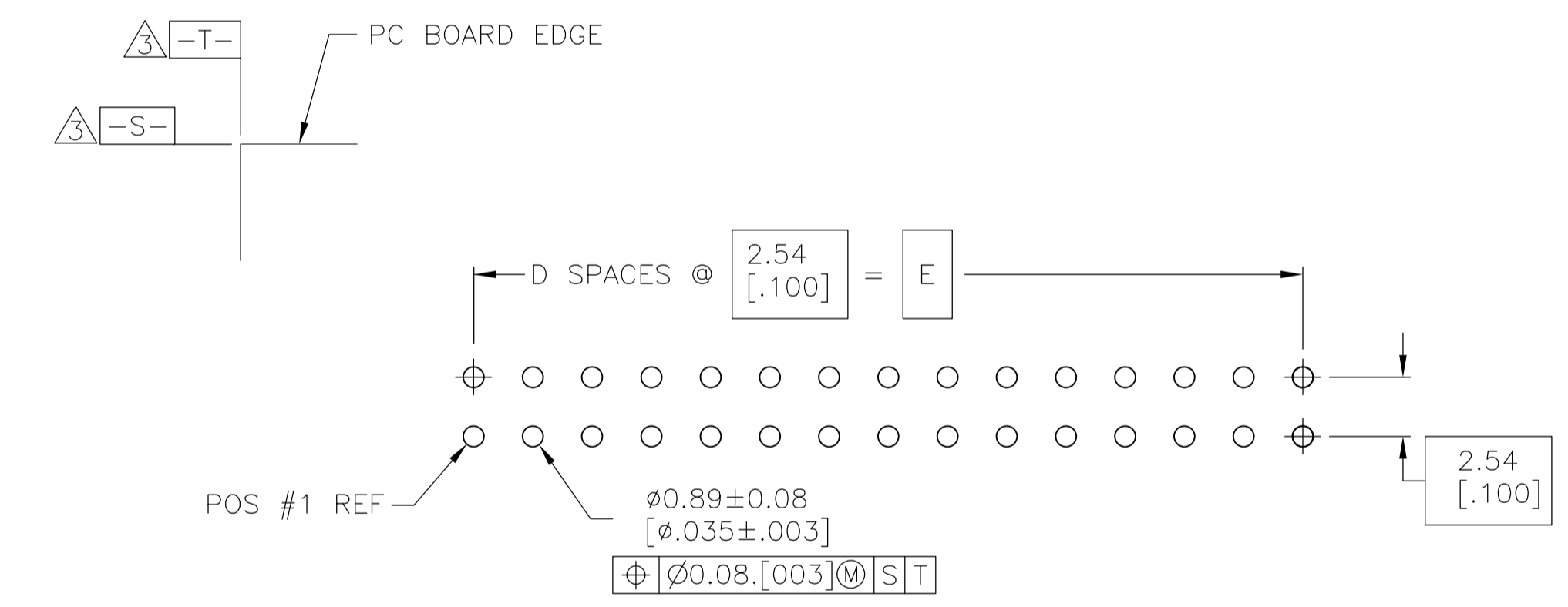


LOC		DIST		REVISONS			
GP	00	REV	DATE	BY	CHK	APPV	
C		REVISED PER ECO-09-002944	20MAR2009	CR	SB		

- 1 HOUSING: PCT, UL94V-0, COLOR: BLACK.  
POSTS: PHOSPHOR BRONZE.
- 2 GOLD FLASH OVER  
PALLADIUM-NICKEL PLATE, 0.00076 [.000030] MIN TOTAL ON MATING AREA,  
0.00254 [.000100] MIN TIN PLATE ON SOLDER END, ALL OVER  
0.00127 [.000050] MIN NICKEL UNDERPLATE ON ENTIRE POST.  
OR  
0.00076 [.000030] MIN GOLD PLATE ON MATING AREA,  
0.00254 [.000100] MIN TIN PLATE ON SOLDER END, ALL OVER  
0.00127 [.000050] MIN NICKEL UNDERPLATE ON ENTIRE POST.
- 3 DATUMS S & T TO BE ESTABLISHED BY CUSTOMER.
- 4 ALTERNATE LOCATION/ORIENTATION FOR POSITION #1 INDICATOR.



SECTION U-U



RECOMMENDED PC BOARD LAYOUT  
(VIEWED FROM CONNECTOR SIDE)

35.56 [1.400]	14	37.59 [1.480]	43.08 [1.696]	45.72 [1.800]	30	1888870-1
E	D	C	B	A	NO OF POS	PART NUMBER

THIS DRAWING IS A CONTROLLED DOCUMENT.		DIN B MCMMASTER 30JAN07		Tyco Electronics Corporation Harrisburg, PA 17105-3608	
DIMENSIONS: mm [INCHES]		TOLERANCES UNLESS OTHERWISE SPECIFIED:		NAME: Tyco Electronics	
0 PLC ± -		1 PLC ± -		PRODUCT SPEC	
2 PLC ± -		3 PLC ± 0.13[.005]		APPLICATION SPEC	
4 PLC ± -		ANGLES ± -		SIZE: A1	
MATERIAL: 1		FINISH: 2		CAGE CODE: 00779	
CUSTOMER DRAWING		SCALE: 4:1		SHEET 1 OF 1	

# Mouser Electronics

Authorized Distributor

Click to View Pricing, Inventory, Delivery & Lifecycle Information:

[TE Connectivity:](#)

[1888870-1](#)