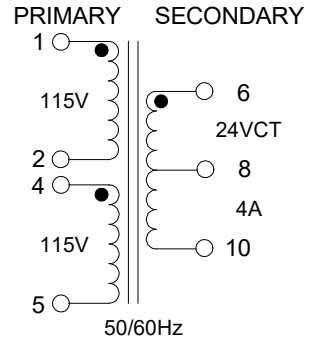
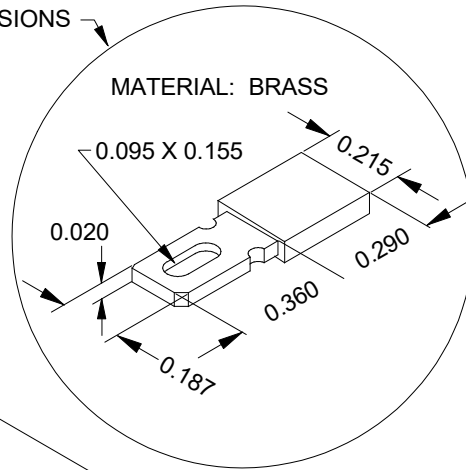


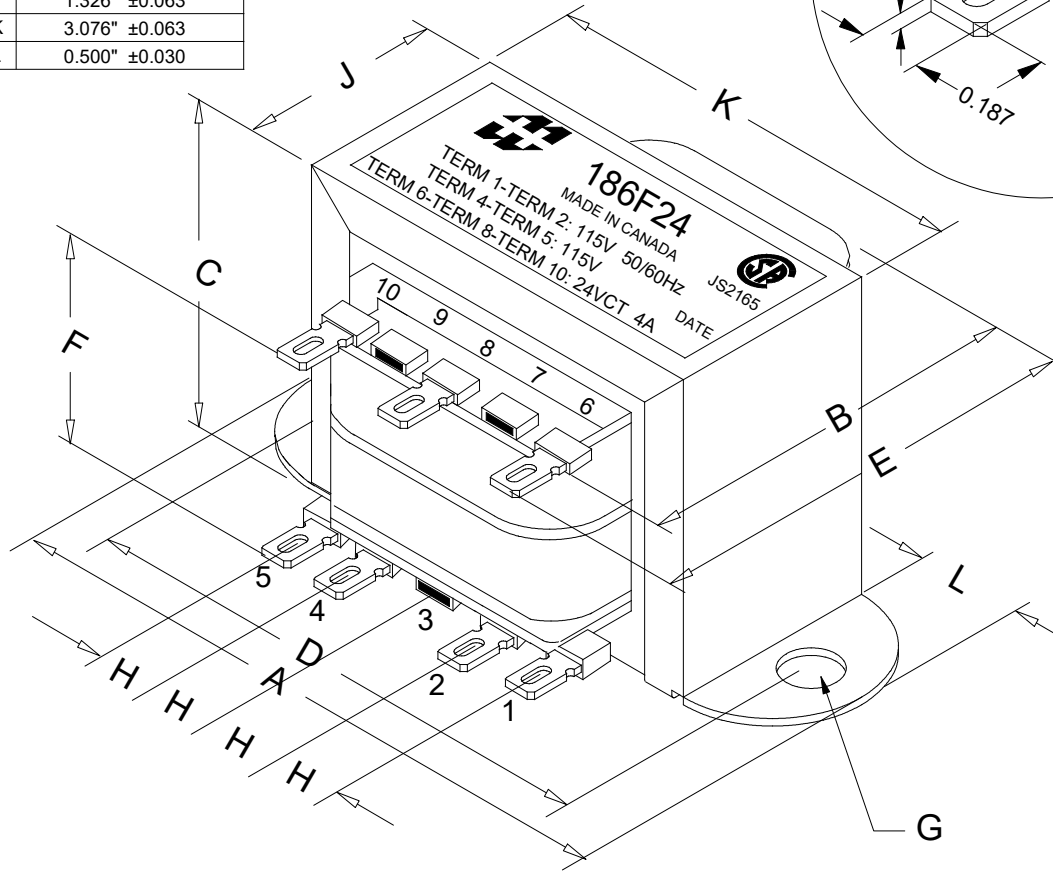
DIMENSIONS:	
A	4.031" ±0.063
B	2.220" ±0.125
C	2.625" ±0.063
D	3.563" ±0.063
E	2.579" ±0.063
F	1.600" ±0.063
G	0.187" ±0.015
H	0.406" ±0.030
J	1.326" ±0.063
K	3.076" ±0.063
L	0.500" ±0.030

DETAILED PIN DIMENSIONS



FOR 230V:  
CONNECT PIN 2 & PIN 4 TOGETHER  
INPUT VOLTAGE ON PIN 1 TO PIN 5

FOR 115V:  
CONNECT PIN 1 & PIN 4 TOGETHER  
CONNECT PIN 2 & PIN 5 TOGETHER  
INPUT VOLTAGE ON PIN 1 TO PIN 2



ELECTRICAL DATA:		
TESTS	CONDITIONS	ACCEPTANCE CRITERIA
I <sub>ex</sub>	@ 115V, 60Hz, TERM 1 - TERM 2	150mA      Max.
Sec. N.L.V	@ 115V, 60Hz, TERM 1 - TERM 2	
	TERM 4 - TERM 5 =	115.0V      ±2%
	TERM 6 - TERM 10 =	26.45V      ±2%
	TERM 6 - TERM 8 = TERM 8 - TERM 10 =	13.23V      ±2%
DCR	@ 20°C, TERM 1 - TERM 2 =	7.465 Ω      ±20%
	@ 20°C, TERM 3 - TERM 4 =	9.059 Ω      ±20%
	@ 20°C, TERM 6 - TERM 8 =	0.230 Ω      ±20%
HIPOT	PRIMARY - SECONDARY	2500V, 60Hz, 1 SEC

REV.#	REVISION	DATE
0	RELEASED.	C.I. 08/11/25

**HAMMOND MANUFACTURING**™      ELECTRONIC DIVISION  
 52 RANKIN PLACE, WATERLOO, ONTARIO, N2J 3Z5      PH # (519) 886-6181  
 FAX # (519) 886-9540

DWG. BY: C. ILIE	CHK'D BY:	TITLE: POWER TRANSFORMER	DWG. NO. 186F24
DATE: 08/11/25	APP'D. BY:		
	DIMENSIONS: IN(X) MM( )		