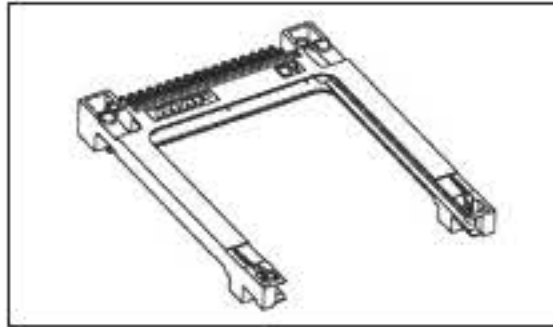


1857246-1 Product Details

[Share](#) | [Print](#) | [Email](#)


1857246-1

TE Internal Number: 1857246-1

Active

[View 3D PDF](#)

PC Card (PCMCIA compliant) Connectors & Accessories

[Always EU RoHS/ELV Compliant \(Statement of Compliance\)](#)

Product Highlights:

- Connector
- Preloaded
- Connector Style = Header - Pin
- Contact Type = Pin
- Interface Application

[View all Features](#)

Quick Links

- ▶ [Check Pricing & Availability](#)
- ▶ [Search for Tooling](#)
- ▶ [Product Feature Selector](#)
- ▶ [Contact Us About This Product](#)

[Add to My Part List](#) | [Request Sample](#) | [Find Similar Products](#) | [Buy Product](#)

Documentation & Additional Information

Product Drawings:

- [PC CARD HEADER HIGH RAISED 5mm 0,7mm OFFSET \(PDF, English\)](#)

Catalog Pages/Data Sheets:

- None Available

Product Specifications:

- None Available

Application Specifications:

- None Available

Instruction Sheets:

- None Available

CAD Files: ([CAD Format & Compression Information](#))

- [2D Drawing \(DXF, Version B\)](#)
- [3D Model \(IGES, Version B\)](#)
- [3D Model \(STEP, Version B\)](#)

Additional Information:

- [Product Line Information](#)

Related Products:

- [Tooling](#)

[List all Documents](#)

Product Features (Please use the Product Drawing for all design activity)

Product Type Features:

- Product Type = Connector
- [Mount Angle](#) = Right Angle

Mechanical Attachment:

- [Board Mount](#) = Top Side

Electrical Characteristics:

- [Shielded](#) = No
- Voltage (VAC) = 5

Dimensions:

- Height = Raised

Body Features:

- [Header Type](#) = Header Only
- [Lead Type](#) = Thru Hole
- [Number of Positions](#) = 68
- [Single/Double Slot](#) = Single

Contact Features:

- Preloaded = Yes
- Contact Type = Pin
- [Contact Plating, Mating Area, Material](#) = Gold

Housing Features:

- Connector Style = Header - Pin
- [Mating Alignment](#) = Without

Industry Standards:

- [RoHS/ELV Compliance](#) = RoHS compliant, ELV compliant
- [Lead Free Solder Processes](#) = Wave solder capable to 240°C, Wave solder capable to 260°C, Wave solder capable to 265°C
- RoHS/ELV Compliance History = Always was RoHS compliant

Conditions for Usage:

- Applies To = Printed Circuit Board

Operation/Application:

- Application = Interface

Product Availability:

- Region = Americas, Asia/Pacific

Other:

- Brand = Tyco Electronics

Corporate Information

[Who We Are](#)
[Investors](#)
[News Room](#)
[Supplier Portal](#)
[Careers](#)

Quick Links

[Check Distributor Inventory](#)
[Cross Reference](#)
[Find Documents & Drawings](#)
[Product Compliance Support Center](#)
[Site Map](#)

Customer Support

[Email or Chat With Us](#)
[Find a Phone Number](#)
[Search Knowledge Base](#)
[Manage your Account](#)

Keep Me Informed

Receive TE News, Events & Technology Updates

