



Extract from the online catalog

MDSTBV 2,5/ 8-G-5,08

Order No.: 1845549

The figure shows a 10-position version of the product



<http://eshop.phoenixcontact.de/phoenix/treeViewClick.do?UID=1845549>

Header, Nominal current: 10 A, Nom. voltage: 250 V, Pitch: 5.08 mm, Number of positions: 8

Commercial data	
EAN	4017918184261
Pack	50 pcs.
Customs tariff	85366990
Weight/Piece	0.01223 KG
Catalog page information	Page 262 (CC-2009)

Product notes

WEEE/RoHS-compliant since:
01/01/2003



<http://www.download.phoenixcontact.com>
Please note that the data given here has been taken from the online catalog. For comprehensive information and data, please refer to the user documentation. The General Terms and Conditions of Use apply to Internet downloads.

Technical data

Dimensions / positions	
Pitch	5.08 mm
Number of positions	8
Pin dimensions	1 x 1 mm
Hole diameter	1.4 mm

MDSTBV 2,5/ 8-G-5,08 Order No.: 1845549
http://eshop.phoenixcontact.de/phoenix/treeViewClick.do?UID=1845549

Technical data

Insulating material group	I
Rated surge voltage (III/3)	4 kV
Rated surge voltage (III/2)	4 kV
Rated surge voltage (II/2)	4 kV
Rated voltage (III/2)	320 V
Rated voltage (II/2)	400 V
Connection in acc. with standard	EN-VDE
Nominal current I_N	10 A
Nominal voltage U_N	250 V
Maximum load current	10 A
Insulating material	PBT

Certificates / Approvals



Certification CB, CSA, CUL, GOST, UL, VDE-PZI

CSA

Nominal voltage U_N	300 V
Nominal current I_N	10 A

CUL

Nominal voltage U_N	300 V
Nominal current I_N	10 A

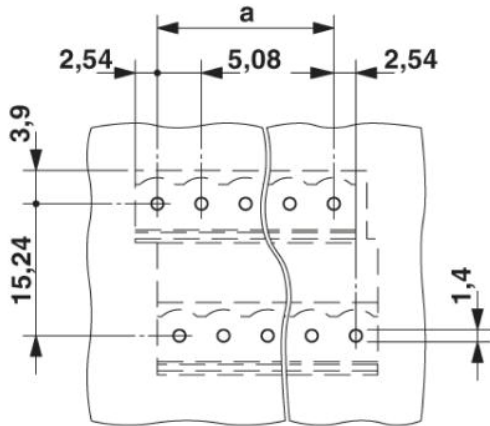
UL

Nominal voltage U_N	300 V
Nominal current I_N	10 A

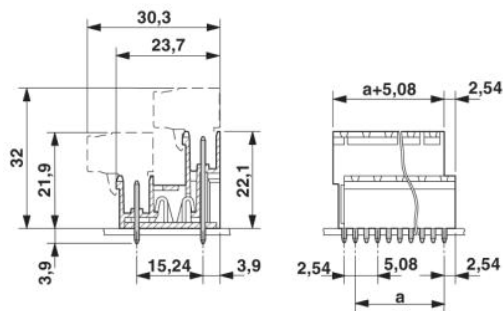
MDSTBV 2,5/ 8-G-5,08 Order No.: 1845549
<http://eshop.phoenixcontact.de/phoenix/treeViewClick.do?UID=1845549>

Diagrams/Drawings

Drilling plan/solder pad geometry



Dimensioned drawing



MDSTBV 2,5/ 8-G-5,08 Order No.: 1845549
<http://eshop.phoenixcontact.de/phoenix/treeViewClick.do?UID=1845549>

Address

PHOENIX CONTACT Deutschland GmbH
Flachmarktstr. 8
32825 Blomberg, Germany
Phone +49 5235 3 12000
Fax +49 5235 3 41200
<http://www.phoenixcontact.de>



© 2010 Phoenix Contact
Technical modifications reserved;

onlinecomponents.com