

DMCV 0,5/10-G1-2,54 P20THR R44 - PCB header



1844950

<https://www.phoenixcontact.com/de/produkte/1844950>

Please be informed that the data shown in this PDF document is generated from our Online Catalog. Please find the complete data in the user documentation. Our General Terms of Use for Downloads are valid.



PCB headers, nominal cross section: 0.5 mm², color: black, nominal current: 6 A, rated voltage (III/2): 160 V, contact surface: Gold, type of contact: Male connector, number of potentials: 20, number of rows: 2, number of positions: 10, number of connections: 20, product range: DMCV 0,5/...-G1-THR, pitch: 2.54 mm, mounting: THR soldering, pin layout: Linear pinning, solder pin [P]: 2 mm, number of solder pins per potential: 1, plug-in system: COMBICON DFMC 0,5, Pin connector pattern alignment: Standard, locking: without, mounting: without, type of packaging: 44 mm wide tape, Sample values available under SAMPLE DMC...

Your advantages

- Gold-plated contacts ensure transfer quality remains stable over the long term
- Designed for integration into the SMT process
- Vertical connection enables multi-row arrangement on the PCB
- Small component size for applications where space is at a premium

Commercial Data

| | |
|--------------------------------------|--------------------------------|
| Item number | 1844950 |
| Packing unit | 330 pc |
| Minimum order quantity | 330 pc |
| Note | Made to Order (non-returnable) |
| Sales Key | E1 - Leiterplattenanschl. |
| Product Key | AAATDB |
| GTIN | 4046356964487 |
| Weight per Piece (including packing) | 3,26 g |
| Weight per Piece (excluding packing) | 3,26 g |
| Customs tariff number | 85366930 |
| Country of origin | PL |

1844950

<https://www.phoenixcontact.com/de/produkte/1844950>

Technical Data

Product properties

| | |
|---------------------------|--|
| Type | Component suitable for through hole reflow |
| Product line | COMBICON Connectors XS |
| Product type | PCB headers |
| Product family | DMCV 0,5/..-G1-THR |
| Number of positions | 10 |
| Pitch | 2.54 mm |
| Number of connections | 20 |
| Number of rows | 2 |
| Mounting flange | without |
| Number of potentials | 20 |
| Pin layout | Linear pinning |
| Solder pins per potential | 1 |

Electrical properties

| | |
|-----------------------------|--------|
| Nominal current I_N | 6 A |
| Nominal voltage U_N | 160 V |
| Degree of pollution | 3 |
| Contact resistance | 2.5 mΩ |
| Rated voltage (III/3) | 32 V |
| Rated surge voltage (III/3) | 2.5 kV |
| Rated voltage (III/2) | 160 V |
| Rated surge voltage (III/2) | 2.5 kV |
| | 160 V |
| Rated surge voltage (II/2) | 2.5 kV |

Mounting

| | |
|---------------|----------------|
| Mounting type | THR soldering |
| Pin layout | Linear pinning |

Processing notes

| | |
|----------------------------------|-----------------------|
| Process | Reflow/wave soldering |
| Moisture Sensitive Level | MSL 1 |
| Classification temperature T_c | 260 °C |
| Solder cycles in the reflow | 3 |

Material specifications

Material data - contact

| | |
|-------------------------|--|
| Note | WEEE/RoHS-compliant, free of whiskers according to IEC 60068-2-82/JEDEC JESD 201 |
| Contact material | Cu alloy |
| Surface characteristics | Completely gold-plated |

DMCV 0,5/10-G1-2,54 P20THR R44 - PCB header



1844950

<https://www.phoenixcontact.com/de/produkte/1844950>

| | |
|---|----------------------|
| Metal surface contact area (top layer) | Gold (0.25 Au) |
| Metal surface contact area (middle layer) | Nickel (2 - 4 µm Ni) |
| Metal surface soldering area (top layer) | Gold (0.25 Au) |
| Metal surface soldering area (middle layer) | Nickel (2 - 4 µm Ni) |

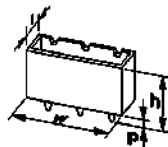
Material data - housing

| | |
|--|--------------|
| Color (Housing) | black (9005) |
| Insulating material | LCP |
| Insulating material group | IIIa |
| CTI according to IEC 60112 | 175 |
| Flammability rating according to UL 94 | V0 |

Material data – actuating element

| | |
|-----------|-----|
| Color () | () |
|-----------|-----|

Dimensions

| | |
|-----------------------|---|
| Dimensional drawing |  |
| Pitch | 2.54 mm |
| Width [w] | 26.7 mm |
| Height [h] | 9.1 mm |
| Length [l] | 7.39 mm |
| Installed height | 7.1 mm |
| Solder pin length [P] | 2 mm |

PCB design

| | |
|-------------|---------|
| Pin spacing | 2.54 mm |
|-------------|---------|

Mechanical tests

Test for conductor damage and slackening

| | |
|---------------|---------------------|
| Specification | IEC 60999-1:1999-11 |
| Result | Test passed |

Repeated connection and disconnection

| | |
|---------------|---------------------|
| Specification | IEC 60999-1:1999-11 |
| Result | Test passed |

Pull-out test

| | |
|---|--|
| Specification | IEC 60999-1:1999-11 |
| Conductor cross section/conductor type/tractive force setpoint/actual value | 0.14 mm ² / solid / > 10 N |
| | 0.14 mm ² / flexible / > 10 N |
| | 0.5 mm ² / solid / > 20 N |

DMCV 0,5/10-G1-2,54 P20THR R44 - PCB header



1844950

<https://www.phoenixcontact.com/de/produkte/1844950>

| | |
|--|---|
| | 0.5 mm ² / flexible / > 20 N |
|--|---|

Insertion and withdrawal forces

| | |
|-------------------------------------|-------------|
| Result | Test passed |
| No. of cycles | 100 |
| Insertion strength per pos. approx. | 2 N |
| Withdraw strength per pos. approx. | 1 N |

Contact holder in insert

| | |
|---|------------------------|
| Specification | IEC 60512-15-1:2008-05 |
| Contact holder in insert Requirements >20 N | Test passed |

Resistance of inscriptions

| | |
|---------------|------------------------|
| Specification | IEC 60068-2-70:1995-12 |
| Result | Test passed |

Polarization and coding

| | |
|---------------|------------------------|
| Specification | IEC 60512-13-5:2006-02 |
| Result | Test passed |

Visual inspection

| | |
|---------------|-----------------------|
| Specification | IEC 60512-1-1:2002-02 |
| Result | Test passed |

Dimension check

| | |
|---------------|-----------------------|
| Specification | IEC 60512-1-2:2002-02 |
| Result | Test passed |

Electrical tests

Thermal test | Test group C

| | |
|----------------------------|-----------------------|
| Specification | IEC 60512-5-1:2002-02 |
| Tested number of positions | 16 |

Insulation resistance

| | |
|--|-----------------------|
| Specification | IEC 60512-3-1:2002-02 |
| Insulation resistance, neighboring positions | > 5 MΩ |

Temperature cycles

| | |
|---------------|---------------------|
| Specification | IEC 60999-1:1999-11 |
| Result | Test passed |

Air clearances and creepage distances |

| | |
|--|---------------------|
| Specification | IEC 60664-1:2007-04 |
| Insulating material group | IIIa |
| Comparative tracking index (IEC 60112) | CTI 175 |
| Rated insulation voltage (III/3) | 32 V |
| Rated surge voltage (III/3) | 2.5 kV |

DMCV 0,5/10-G1-2,54 P20THR R44 - PCB header



1844950

<https://www.phoenixcontact.com/de/produkte/1844950>

| | |
|--|--------|
| minimum clearance value - non-homogenous field (III/3) | 1.5 mm |
| minimum creepage distance (III/3) | 1.5 mm |
| Rated insulation voltage (III/2) | 160 V |
| Rated surge voltage (III/2) | 2.5 kV |
| minimum clearance value - non-homogenous field (III/2) | 1.5 mm |
| minimum creepage distance (III/2) | 1.6 mm |
| Rated insulation voltage (II/2) | 160 V |
| Rated surge voltage (II/2) | 2.5 kV |
| minimum clearance value - non-homogenous field (II/2) | 1.5 mm |
| minimum creepage distance (II/2) | 1.6 mm |

Environmental and real-life conditions

Vibration test

| | |
|------------------------|-----------------------------|
| Specification | IEC 60068-2-6:2007-12 |
| Frequency | 10 - 500 - 10 Hz |
| Sweep speed | 1 octave/min |
| Amplitude | 0.35 mm (10 Hz ... 60.1 Hz) |
| Sweep speed | 5g (60.1 Hz ... 500 Hz) |
| Test duration per axis | 2 h |

Durability test

| | |
|--|-----------------------|
| Specification | IEC 60512-9-1:2010-03 |
| Impulse withstand voltage at sea level | 2.95 kV |
| Contact resistance R ₁ | 2.5 mΩ |
| Contact resistance R ₂ | 2.6 mΩ |
| Contact resistance R ₂ 2nd level | 2.5 mΩ |
| Insertion/withdrawal cycles | 100 |
| Insulation resistance, neighboring positions | > 5 MΩ |

Climatic test

| | |
|-----------------------------------|--|
| Specification | DIN 50018:2013-05 |
| Corrosive stress | 1.0 dm ³ SO ₂ on 300 dm ³ /40 °C/3 cycles |
| Thermal stress | 100 °C/168 h |
| Power-frequency withstand voltage | 1.39 kV |

Ambient conditions

| | |
|---|---|
| Ambient temperature (operation) | -40 °C ... 100 °C (dependent on the derating curve) |
| Ambient temperature (storage/transport) | -40 °C ... 70 °C |
| Relative humidity (storage/transport) | 30 % ... 70 % |
| Ambient temperature (assembly) | -5 °C ... 100 °C |

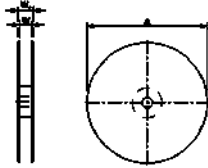
Packaging specifications

DMCV 0,5/10-G1-2,54 P20THR R44 - PCB header

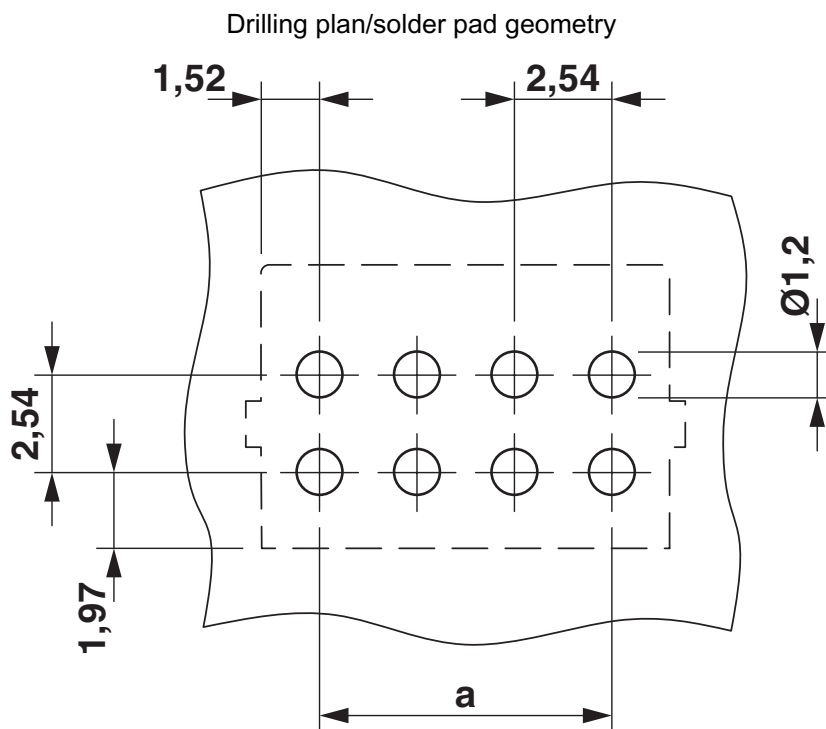


1844950

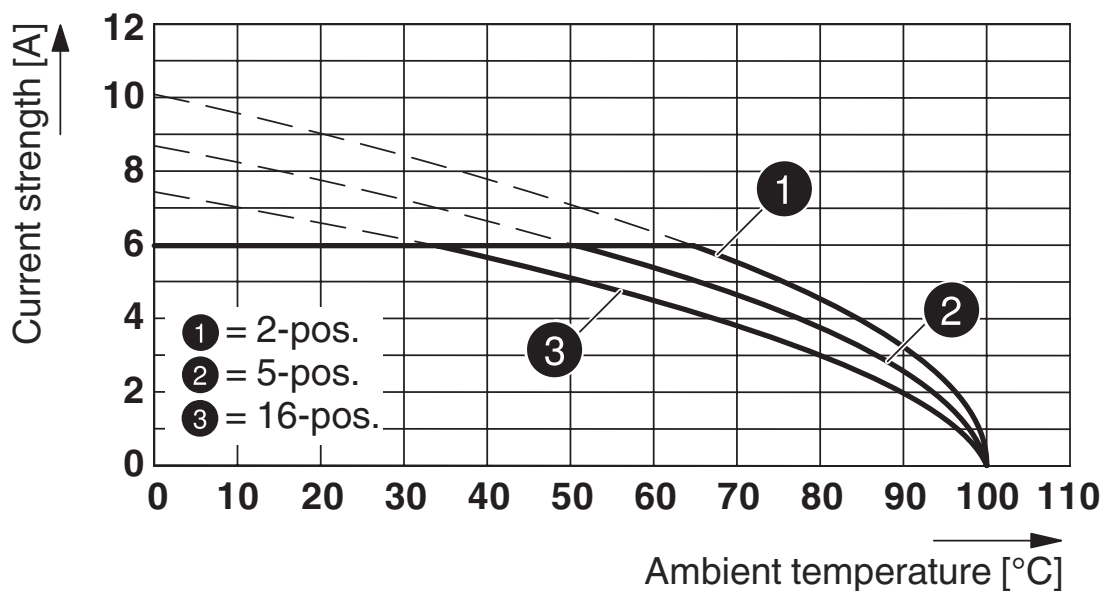
<https://www.phoenixcontact.com/de/produkte/1844950>

| | |
|-----------------------------|--|
| Dimensional drawing |  |
| Type of packaging | 44 mm wide tape |
| [W] tape width | 44 mm |
| [W2] coil overall dimension | 50.4 mm |
| [A] coil diameter | 330 mm |
| Outer packaging type | Transparent-Bag |
| ESD level | (D) electrostatically conductive |
| Specification | DIN EN 61340-5-1 (VDE 0300-5-1): 2008-07 |

Drawings



Diagram



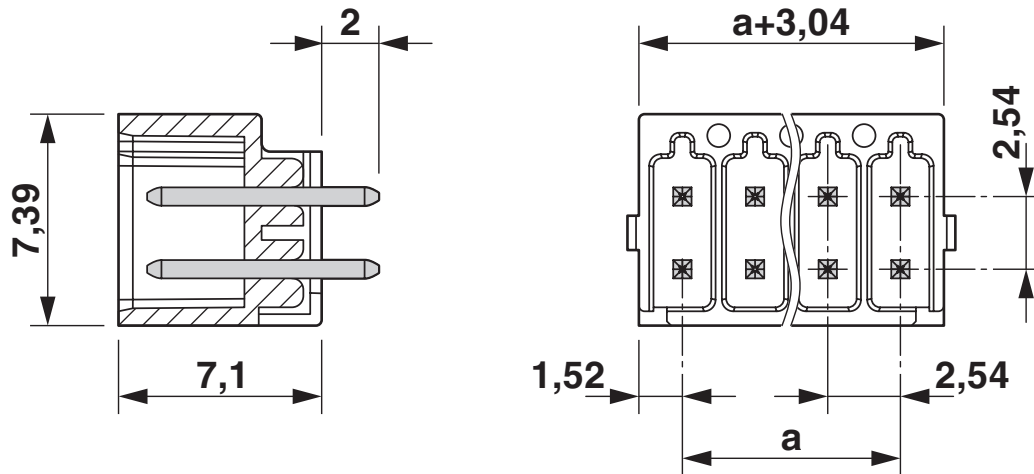
Type: DFMC 0,5/...-ST-2,54 with DMCV 0,5/...-G1-2,54 P... THRR...

DMCV 0,5/10-G1-2,54 P20THR R44 - PCB header

1844950

<https://www.phoenixcontact.com/de/produkte/1844950>

Dimensional drawing



DMCV 0,5/10-G1-2,54 P20THR R44 - PCB header




1844950

<https://www.phoenixcontact.com/de/produkte/1844950>

Approvals

|  IECEE CB Scheme Approval ID: DE1-59151-M1 | | | | |
|---|-----------------------|-----------------------|-------------------|-----------------------------|
| | Nominal Voltage U_N | Nominal Current I_N | Cross Section AWG | Cross Section mm^2 |
| | 160 V | 6 A | - | - |

|  EAC Approval ID: B.01687 | | | | |
|--|--|--|--|--|
|--|--|--|--|--|

|  cULus Recognized Approval ID: E60425-19920306 | | | | |
|---|-----------------------|-----------------------|-------------------|-----------------------------|
| | Nominal Voltage U_N | Nominal Current I_N | Cross Section AWG | Cross Section mm^2 |
| Use group B | | | | |
| | 150 V | 6 A | - | - |
| Use group C | | | | |
| | 50 V | 6 A | - | - |

|  VDE report with production monitoring Approval ID: 40042389 | | | | |
|---|-----------------------|-----------------------|-------------------|-----------------------------|
| | Nominal Voltage U_N | Nominal Current I_N | Cross Section AWG | Cross Section mm^2 |
| | 160 V | 6 A | - | - |

DMCV 0,5/10-G1-2,54 P20THR R44 - PCB header



1844950

<https://www.phoenixcontact.com/de/produkte/1844950>

Classifications

ECLASS

| | |
|---------------|----------|
| ECLASS-9.0 | 27440402 |
| ECLASS-10.0.1 | 27440402 |
| ECLASS-11.0 | 27460201 |

ETIM

| | |
|----------|----------|
| ETIM 8.0 | EC002637 |
|----------|----------|

UNSPSC

| | |
|-------------|----------|
| UNSPSC 21.0 | 39121400 |
|-------------|----------|

DMCV 0,5/10-G1-2,54 P20THR R44 - PCB header



1844950

<https://www.phoenixcontact.com/de/produkte/1844950>

Environmental Product Compliance

| | |
|------------|---|
| China RoHS | Environmentally friendly use period: unlimited = EFUP-e |
| | No hazardous substances above threshold values |

DMCV 0,5/10-G1-2,54 P20THR R44 - PCB header



1844950

<https://www.phoenixcontact.com/de/produkte/1844950>

Accessories

SK 2,54/2,8:FORTL.ZAHLEN - Marker card

0804853

<https://www.phoenixcontact.com/de/produkte/0804853>



Marker card, white, labeled, horizontal: consecutive numbers 1 ... 10, 11 ... 20, etc. up to 91 ... 99, mounting type: adhesive, for terminal block width: 2.54 mm, lettering field size: 2.54 x 2.8 mm

SAMPLE DMCV 0,5/10-G1-2,54 THR - PCB header

1859725

<https://www.phoenixcontact.com/de/produkte/1859725>



PCB headers, nominal cross section: 0.5 mm², color: black, nominal current: 6 A, rated voltage (III/2): 160 V, contact surface: Gold, type of contact: Male connector, number of potentials: 20, number of rows: 2, number of positions: 10, number of connections: 20, product range: DMCV 0,5/..-G1-THR, pitch: 2.54 mm, mounting: THR soldering, solder pin [P]: 2 mm, number of solder pins per potential: 1, plug-in system: COMBICON DFMC 0,5, Pin connector pattern alignment: Standard, locking: without, mounting: without, type of packaging: packed in cardboard

DMCV 0,5/10-G1-2,54 P20THR R44 - PCB header



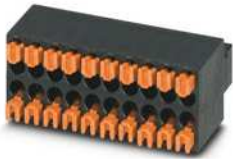
1844950

<https://www.phoenixcontact.com/de/produkte/1844950>

DFMC 0,5/10-ST-2,54 - PCB connector

1844659

<https://www.phoenixcontact.com/de/produkte/1844659>



PCB connector, nominal cross section: 0.5 mm², color: black, nominal current: 6 A, rated voltage (III/2): 160 V, contact surface: Gold, type of contact: Female connector, number of potentials: 20, number of rows: 2, number of positions: 10, number of connections: 20, product range: DFMC 0,5/..-ST, pitch: 2.54 mm, connection method: Push-in spring connection, conductor/PCB connection direction: 0 °, number of solder pins per potential: 1, plug-in system: COMBICON DFMC 0,5, locking: without, mounting: without, type of packaging: packed in cardboard

Phoenix Contact 2023 © - all rights reserved

<https://www.phoenixcontact.com>

PHOENIX CONTACT Deutschland GmbH

Flachsmarktstraße 8

D-32825 Blomberg

+49 52 35/3-1 20 00

info@phoenixcontact.de