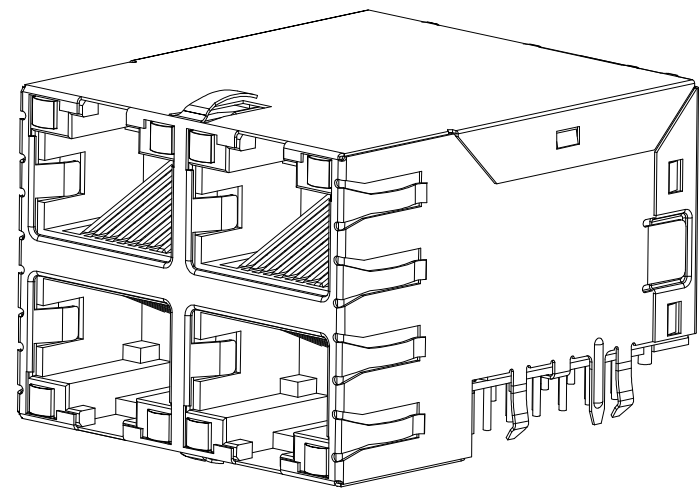


REVISIONS					
REV	DATE	DESCRIPTION	BY	CHK	APP
D	15APR2013	LOGO CHANGE	GZ	KZ	

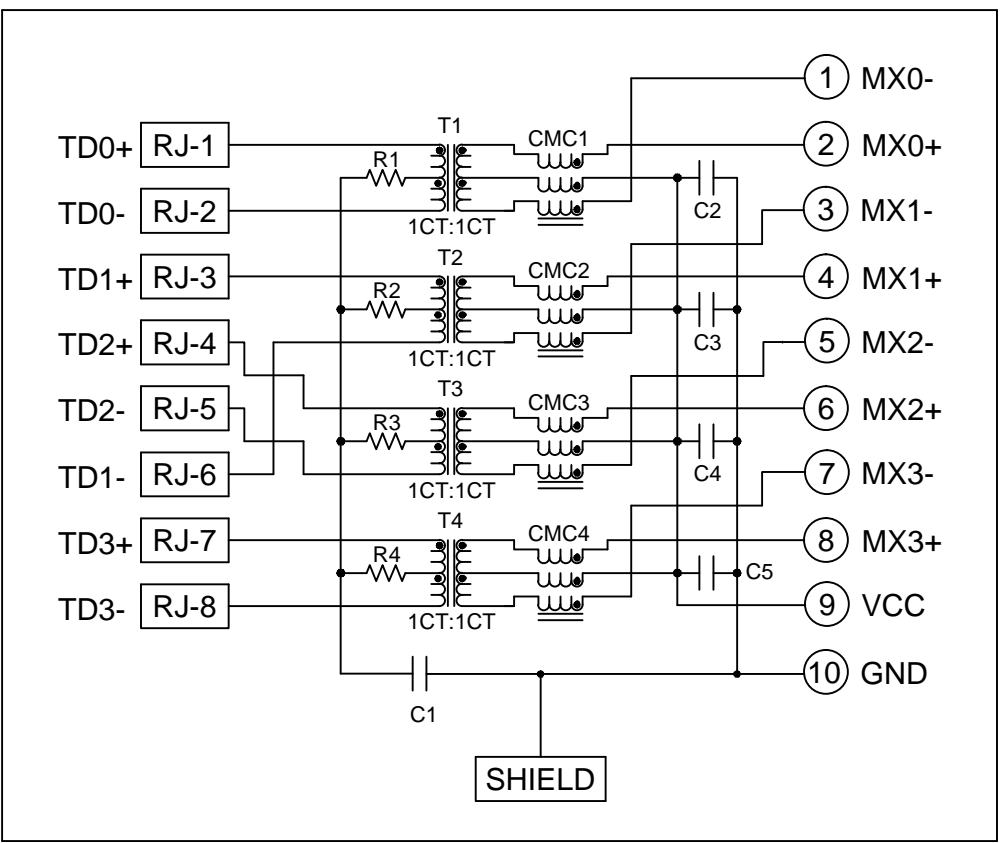


- 1 MATERIALS:
- HOUSING: THERMOPLASTIC, BLACK, FLAMMABILITY RATING UL 94V-0.
 - SHIELD: BRASS, PREPLATED WITH 0.76um MIN SEMI-BRIGHT NICKEL, POST DIPPED WITH 2.54um MIN SAC SOLDER ON SOLDER TAILS.
 - CONTACTS: PHOSPHOR BRONZE, PLATED WITH 1.27um MIN OVERALL NICKEL UNDERPLATE, SELECTIVE 1.27um MIN GOLD AT MATING INTERFACE AND 2.54um MIN MATTE TIN ON SOLDER TAILS.
 - LED: DIFFUSED EPOXY LENS, CARBON STEEL LEAD FRAME LEADS, PREPLATED WITH 2.03um MIN SILVER OVER 1.02um MIN NICKEL OVER 1.02um MIN COPPER UNDERPLATE, POST PLATED WITH 2.54um MIN MATTE TIN AND/OR 2.54um MIN SAC SOLDER DIP OR PURE TIN SOLDER DIP.

- 2 MAGNETICS
- APPLICATION: 10/100/1000 BASE-T
 - IMPEDANCE: 100 OHMS
 - TURNS RATIO (CHIP:CABLE): 1:1 ALL FOUR PAIRS
 - OPEN CIRCUIT INDUCTANCE (OCL): 350uH MIN @100kHz, 0.1VRMS, 8mADC BIAS FROM 0 °C TO 70 °C, ALL FOUR PAIRS
 - ALL FOUR PAIRS BI-DIRECTIONAL
 - PERFORMANCE @ 25 °C:
 - INSERTION LOSS (IL): 1.1dB MAX FROM 0.5MHz TO 100MHz
 - RETURN LOSS (RL): 18dB MIN FROM 0.5MHz TO 40MHz
 - 12-20LOG(f/80)dB MIN FROM 40.1MHz TO 100MHz
 - CROSSTALK ATTENUATION: 35dB MIN FROM 0.5MHz TO 40MHz
 - 33-20LOG(f/50)dB MIN FROM 40.1MHz TO 100MHz
 - COMMON MODE REJECTION RATIO (CMRR): 30dB MIN FROM 0.5MHz TO 100MHz
 - ISOLATION VOLTAGE: COMPLIES WITH IEEE802.3 2002, PARA 40.6.1.1, ITEM b.

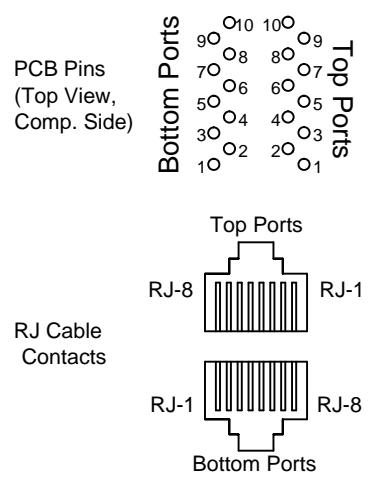
S8G16 GIGABIT CIRCUIT

Top and Bottom Ports



Pin Designations

(Repeat for each vertical pair of ports.)



- 3 PART NUMBER, DATE CODE AND COUNTRY OF ORIGIN ARE LOCATED IN THE APPROXIMATE AREA SHOWN. DATE CODE "YY" IS THE YEAR, "WW" IS THE WEEK, "D" IS THE DAY OF WEEK, WITH SUNDAY="1".

- 4 TRP LOGO, TRANSPOWER LOGO AND AGENCY APPROVAL LOGO ARE LOCATED IN THE APPROXIMATE AREA SHOWN.

- 5 RJ45 CAVITIES CONFORM TO FCC RULES AND REGULATION PART 68 SUBPART F.

- 6 LEDs ARE DRIVEN WITH CONSTANT CURRENT AT APPROX. 20mA.
- DOMINANT WAVELENGTH (λD)
 - GREEN, 568nm TYP AT IF=20mA
 - YELLOW, 588nm TYP AT IF=20mA
 - FORWARD VOLTAGE(VF)
 - GREEN, 2.2V TYP AT IF=20mA
 - YELLOW, 2.1V TYP AT IF=20mA

- 7 INDICATED MAGNETIC CONNECTIONS ARE SYMMETRICAL AND SUPPORT AUTO-MDI/MDIX.

- 8 OPERATING TEMPERATURE: FROM 0 °C TO 70 °C

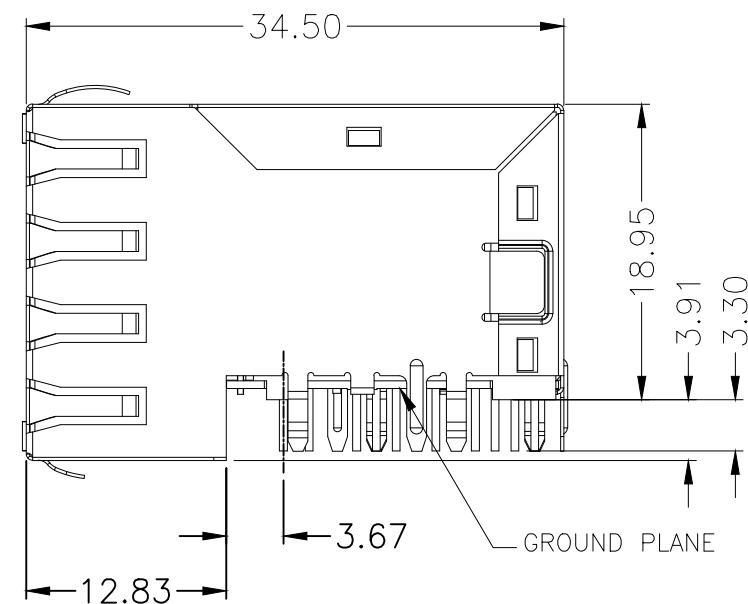
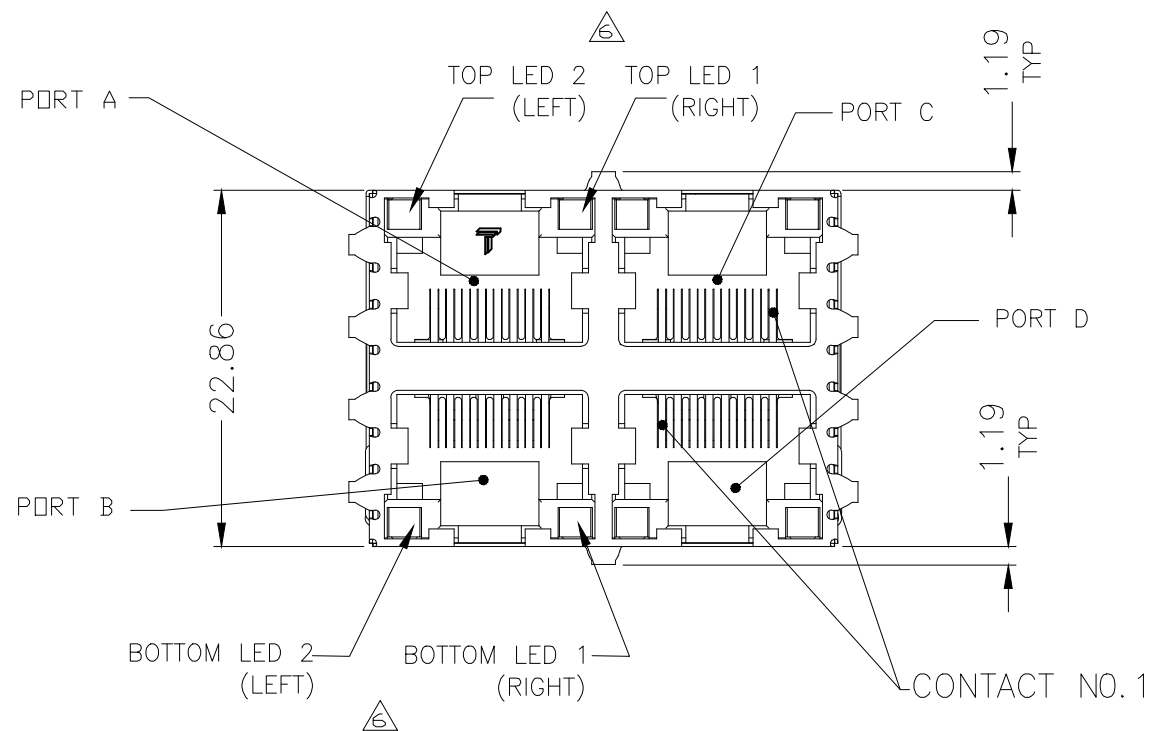
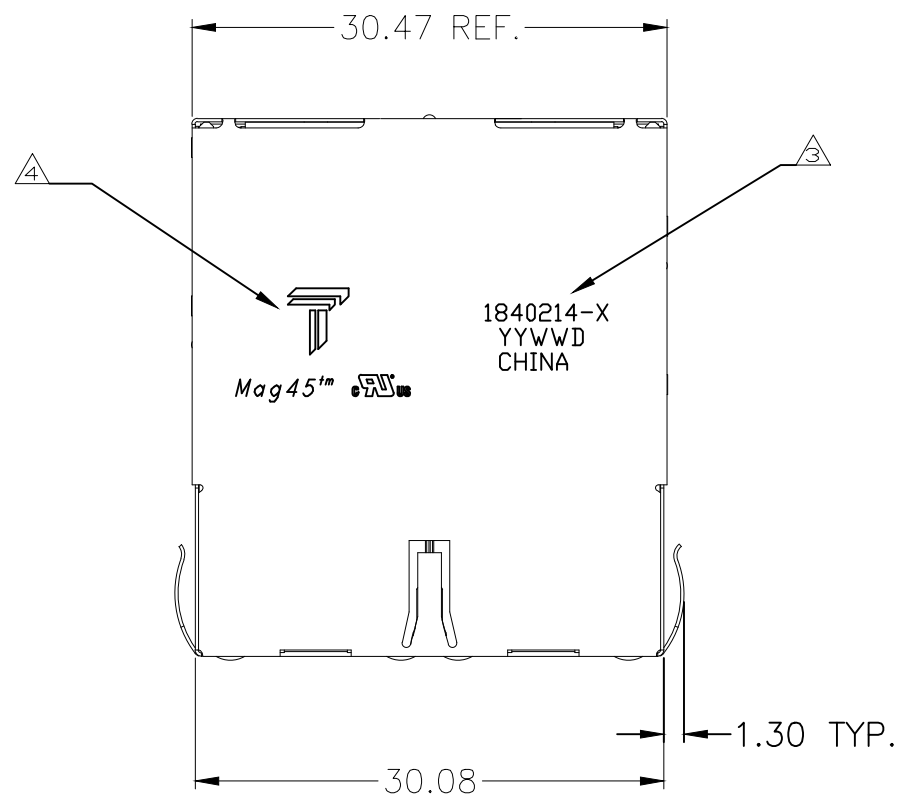
- C1 = 1000 pF, 2kV
- C2-C5 = 470pF, 10%, 50V
- R1-R4 = 75 Ohm, 1/16W

GREEN	GREEN	GREEN	GREEN	1	1840214-4
GREEN	YELLOW	GREEN	YELLOW	1	1840214-3
YELLOW	GREEN	GREEN	YELLOW	1	1840214-2
GREEN/YELLOW	GREEN/YELLOW	GREEN/YELLOW	GREEN/YELLOW	1	1840214-1
BOTTOM LED 2 (LEFT)	BOTTOM LED 1 (RIGHT)	TOP LED 2 (LEFT)	TOP LED 1 (RIGHT)	REAR PCB GND TABS	PART NUMBER

THIS DRAWING IS A CONTROLLED DOCUMENT.

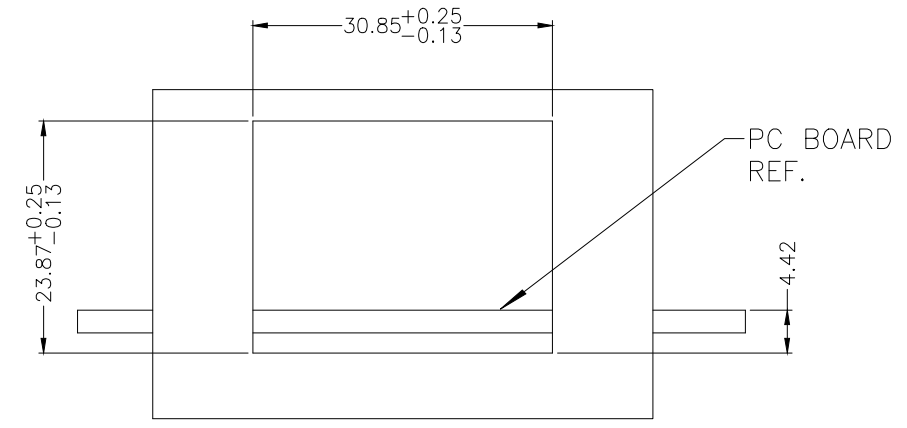
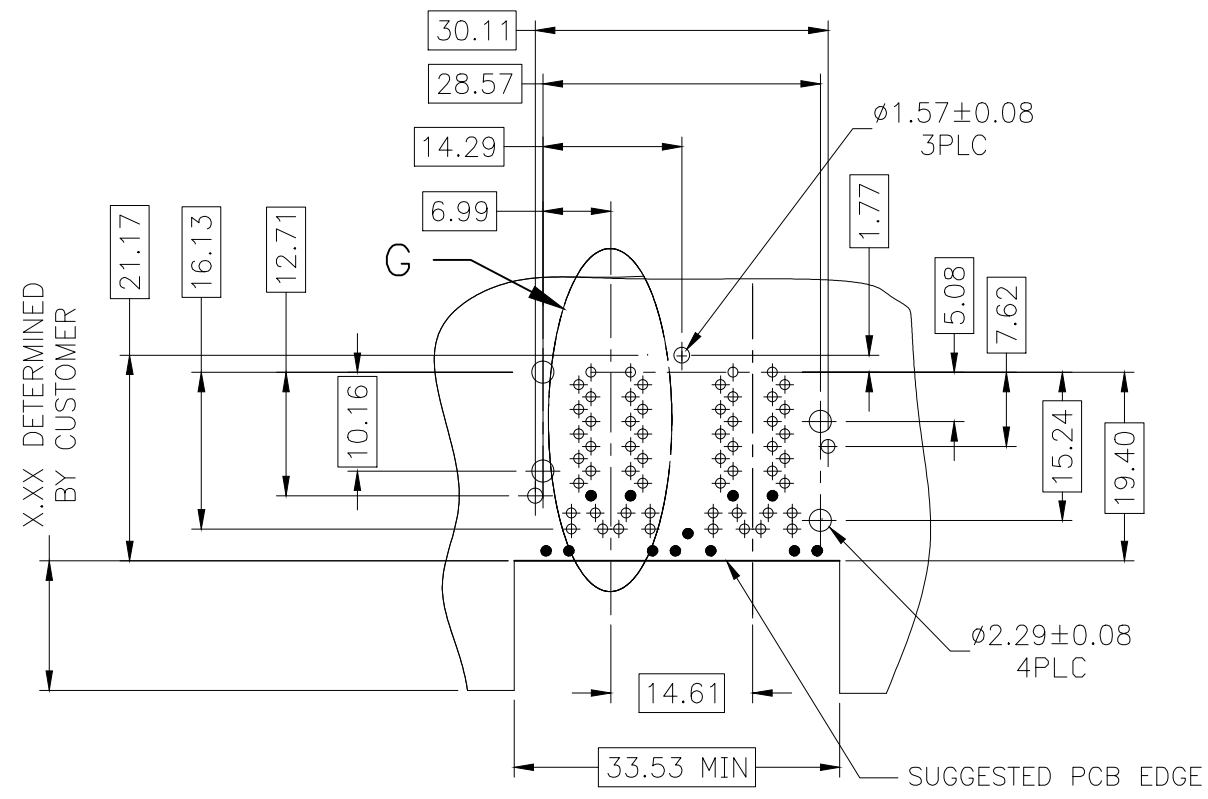
DATE: 30JUL2007	BY: DALE PAN	CHK: KEITH ZHU	APP: TEDDY XIANG
TRP connector Dongguan China			
DIMENSIONS: min 		TOLERANCES UNLESS OTHERWISE SPECIFIED: 0 PLC ± 0.25 1 PLC ± 0.25 2 PLC ± 0.25 3 PLC ± 0.25 4 PLC ± 0.25 ANGLES FINISH	
MATERIAL: -		WEIGHT: -	
SIZE: A1		CAGE CODE: 1840214	
CUSTOMER DRAWING		SCALE: 1:1 SHEET 1 OF 4 REV D	

REVISIONS				
#	LNK	DESCRIPTION	DATE	DRN / APD
-	-	SEE SHEET 1	-	-

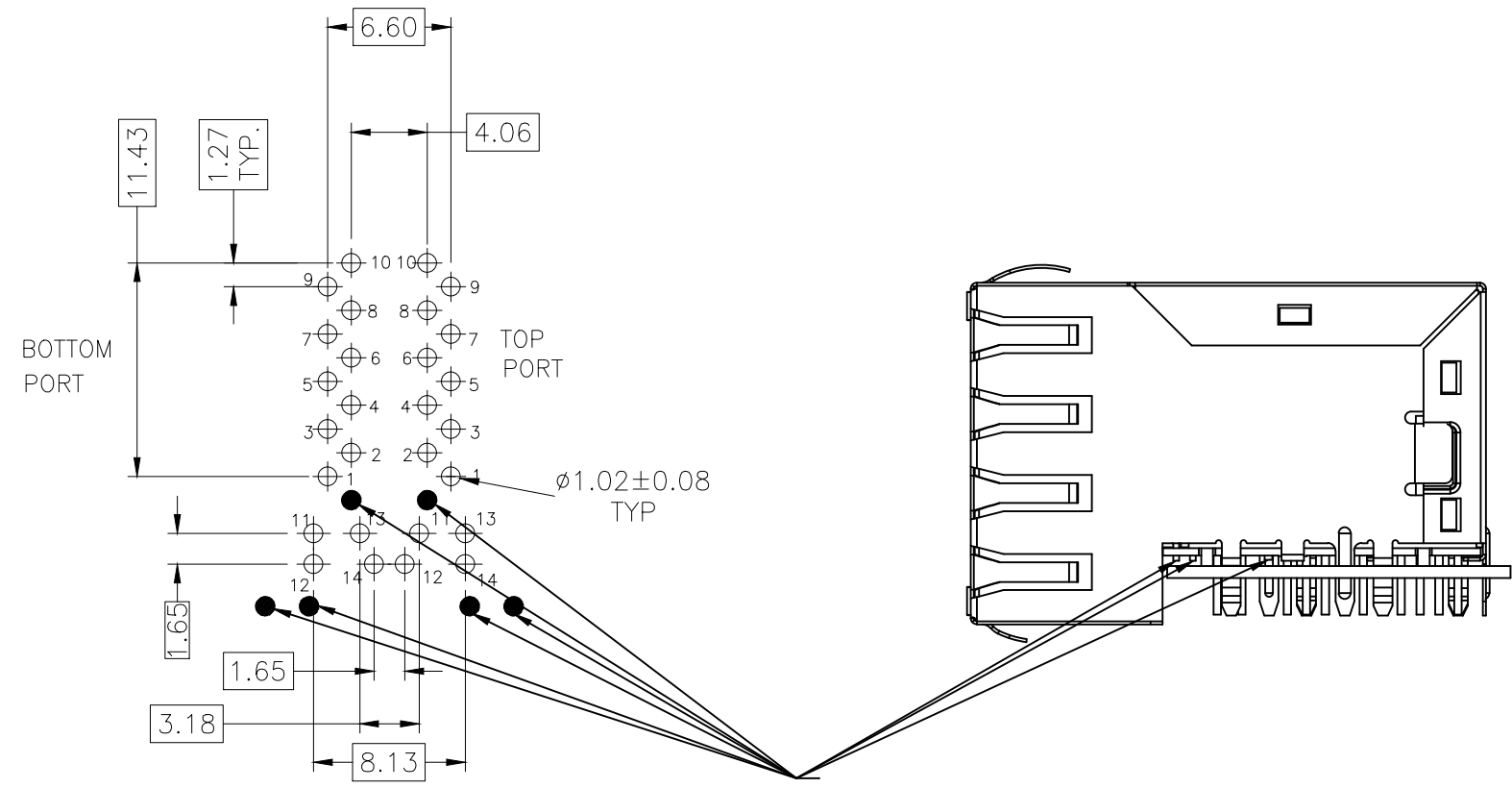


THIS DRAWING IS A CONTROLLED DOCUMENT.		DRN DALE PAN 30AAL2007	TRP connector Dongguan China																					
DIMENSIONS: mm		CHK KEITH ZHU 30AAL2007	APD TEDDY XIONG 30AAL2007																					
TOLERANCES UNLESS OTHERWISE SPECIFIED:		PRODUCT SPEC	NAME 2X2 MAG45(TM) MODULAR JACK, OFFSET SBC16 GIGABIT CIRCUIT, W/ LED'S SHIELDED WAVE PANEL GROUND TABS																					
<table border="1"> <tr><td>0</td><td>PLC</td><td>± 0.25</td></tr> <tr><td>1</td><td>PLC</td><td>± 0.25</td></tr> <tr><td>2</td><td>PLC</td><td>± 0.25</td></tr> <tr><td>3</td><td>PLC</td><td>± 0.25</td></tr> <tr><td>4</td><td>PLC</td><td>± 0.25</td></tr> <tr><td colspan="2">ANGLES</td><td>±</td></tr> <tr><td colspan="2">FINISH</td><td>-</td></tr> </table>		0	PLC	± 0.25	1	PLC	± 0.25	2	PLC	± 0.25	3	PLC	± 0.25	4	PLC	± 0.25	ANGLES		±	FINISH		-	APPLICATION SPEC	SIZE A1
0	PLC	± 0.25																						
1	PLC	± 0.25																						
2	PLC	± 0.25																						
3	PLC	± 0.25																						
4	PLC	± 0.25																						
ANGLES		±																						
FINISH		-																						
MATERIAL -		WEIGHT -	CAGE CODE C-1840214																					
CUSTOMER DRAWING		SCALE 1:1	SHEET 2 OF 4 REV D																					

REVISIONS				
#	LR	DESCRIPTION	DATE	DR / APD
-	-	SEE SHEET 1	-	-

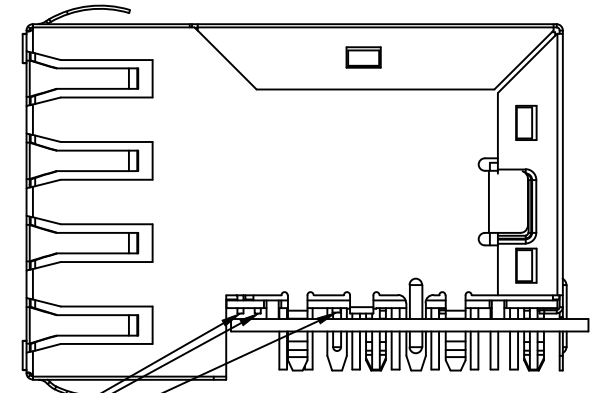


RECOMMENDED PC BOARD LAYOUT VIEW FROM COMPONENT SIDE



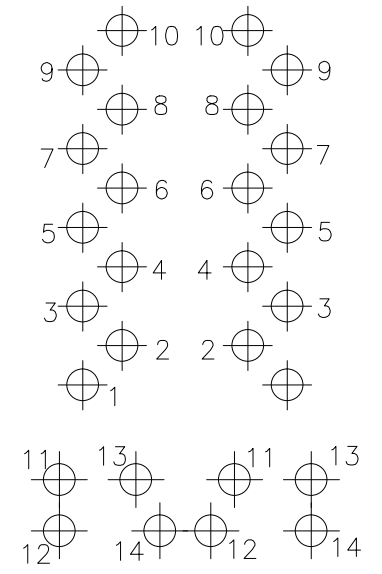
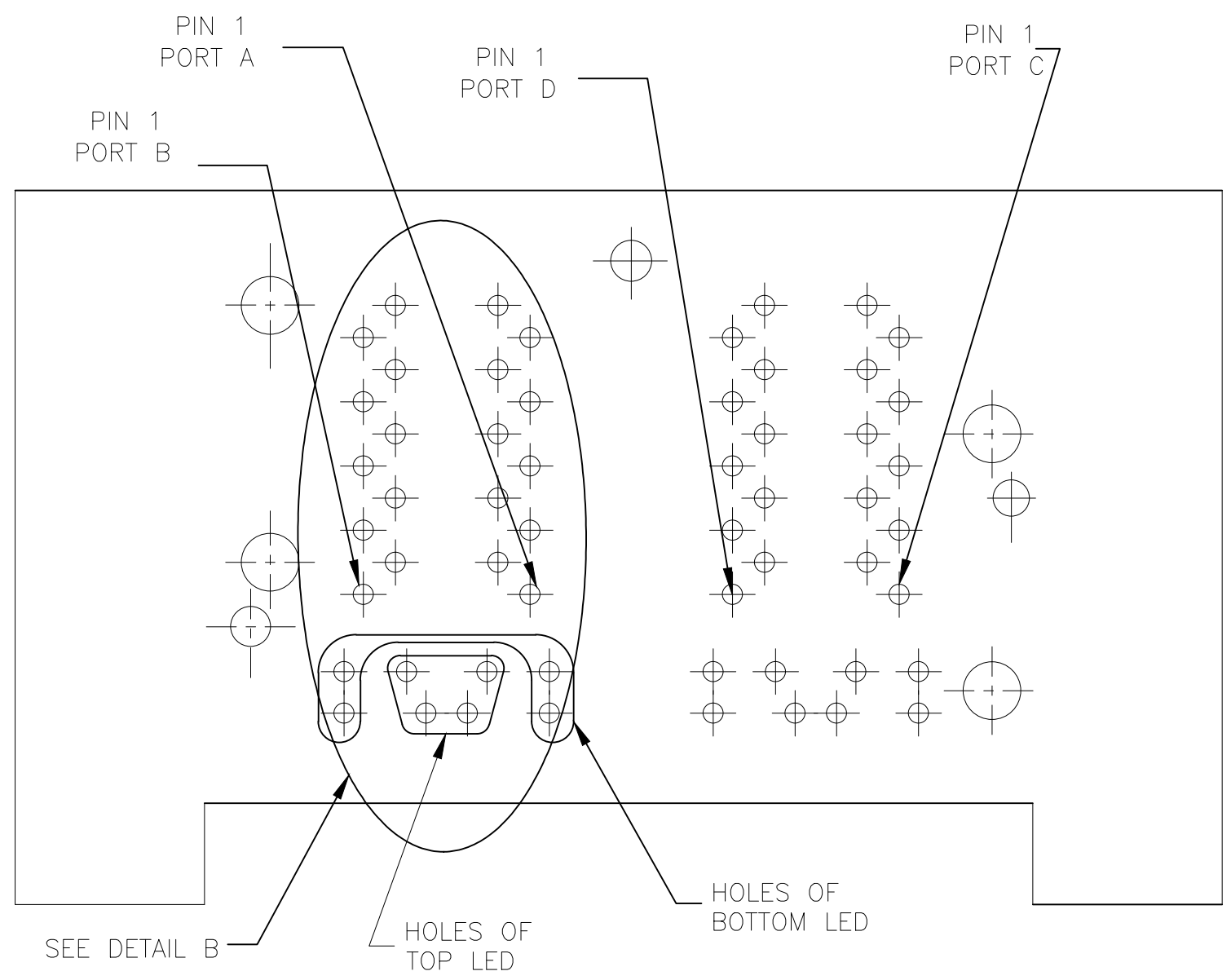
PIN 0#, BOTTOM LED'S PIN ON MOD JACK AND BOTTOM PCB ARE STUB PINS WITH LENGTH SIMILAR TO PCB STANDOFF HEIGHT PRECAUTIONS SHOULD BE TAKEN IN PCB DESIGN TO GUARD AGAINST SHORTING TRACES TO STUB PINS

DETAIL G SCALE: 2:1



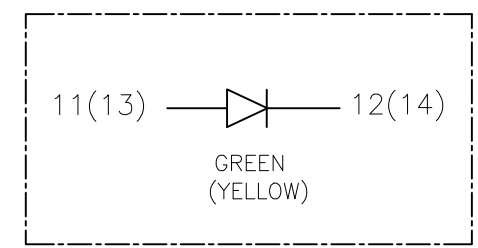
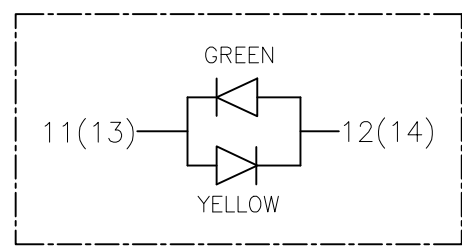
THIS DRAWING IS A CONTROLLED DOCUMENT.		DRW DALE PAN 30JUL2007	 TRP connector Dongguan China																													
DIMENSIONS: mm		CHK KEITH ZHU 30JUL2007																														
TOLERANCES UNLESS OTHERWISE SPECIFIED:		APD TEDDY XIONG 30JUL2007																														
<table border="1"> <tr><td>0 PLC</td><td>± 0.25</td></tr> <tr><td>1 PLC</td><td>± 0.25</td></tr> <tr><td>2 PLC</td><td>± 0.25</td></tr> <tr><td>3 PLC</td><td>± 0.25</td></tr> <tr><td>4 PLC</td><td>± 0.25</td></tr> <tr><td>ANGLES</td><td>± 0.25</td></tr> <tr><td>FINISH</td><td>-</td></tr> </table>	0 PLC	± 0.25	1 PLC	± 0.25	2 PLC	± 0.25	3 PLC	± 0.25	4 PLC	± 0.25	ANGLES	± 0.25	FINISH	-	<table border="1"> <tr><td>NAME</td><td>2X2 MAG45(TM) MODULAR JACK, OFFSET S8G16 GIGABIT CIRCUIT, W/ LED'S SHIELDED, WAVE PANEL GROUND TABS</td></tr> <tr><td>APPLICATION SPEC</td><td>-</td></tr> <tr><td>SIZE</td><td>A1</td></tr> <tr><td>DRAWING NO</td><td>C=1840214</td></tr> </table>	NAME	2X2 MAG45(TM) MODULAR JACK, OFFSET S8G16 GIGABIT CIRCUIT, W/ LED'S SHIELDED, WAVE PANEL GROUND TABS	APPLICATION SPEC	-	SIZE	A1	DRAWING NO	C=1840214	<table border="1"> <tr><td>DATE</td><td>30JUL2007</td></tr> <tr><td>SCALE</td><td>1:1</td></tr> <tr><td>SHEET</td><td>3 OF 4</td></tr> <tr><td>REV</td><td>D</td></tr> </table>	DATE	30JUL2007	SCALE	1:1	SHEET	3 OF 4	REV	D
0 PLC	± 0.25																															
1 PLC	± 0.25																															
2 PLC	± 0.25																															
3 PLC	± 0.25																															
4 PLC	± 0.25																															
ANGLES	± 0.25																															
FINISH	-																															
NAME	2X2 MAG45(TM) MODULAR JACK, OFFSET S8G16 GIGABIT CIRCUIT, W/ LED'S SHIELDED, WAVE PANEL GROUND TABS																															
APPLICATION SPEC	-																															
SIZE	A1																															
DRAWING NO	C=1840214																															
DATE	30JUL2007																															
SCALE	1:1																															
SHEET	3 OF 4																															
REV	D																															
MATERIAL	-	CUSTOMER DRAWING	RESTRICTED TO																													

REVISIONS				
#	LNK	DESCRIPTION	DATE	BY
-	-	SEE SHEET 1	-	-



DETAIL B

LED HOLE DESIGNATIONS VIEWED FROM COMPONENT SIDE



THIS DRAWING IS A CONTROLLED DOCUMENT.		DRW: DALE PAN 30JUL2007	TRP connector	
		CHK: KEITH ZHU 30JUL2007	Dongguan China	
		APD: TEDDY XIONG 30JUL2007		
DIMENSIONS: mm		PRODUCT SPEC: -	NAME: 2X2 MAG45(TM) MODULAR JACK, OFFSET S8G16 GIGABIT CIRCUIT, W/ LED'S SHIELDED, WAVE PANEL GROUND TABS	RESTRICTED TO: -
TOLERANCES UNLESS OTHERWISE SPECIFIED:		APPLICATION SPEC: -	SIZE: A1	DRAWING NO: C=1840214
0 PLC ± 0.25	1 PLC ± 0.25	2 PLC ± 0.25	3 PLC ± 0.25	4 PLC ± 0.25
ANGLES ± -	FINISH: -		WEIGHT: -	SCALE: 1:1
MATERIAL: -		CUSTOMER DRAWING		SHEET 4 OF 4 REV D