

1827855-2 ✓ ACTIVE



0.50 Connector System

TE Internal #: 1827855-2

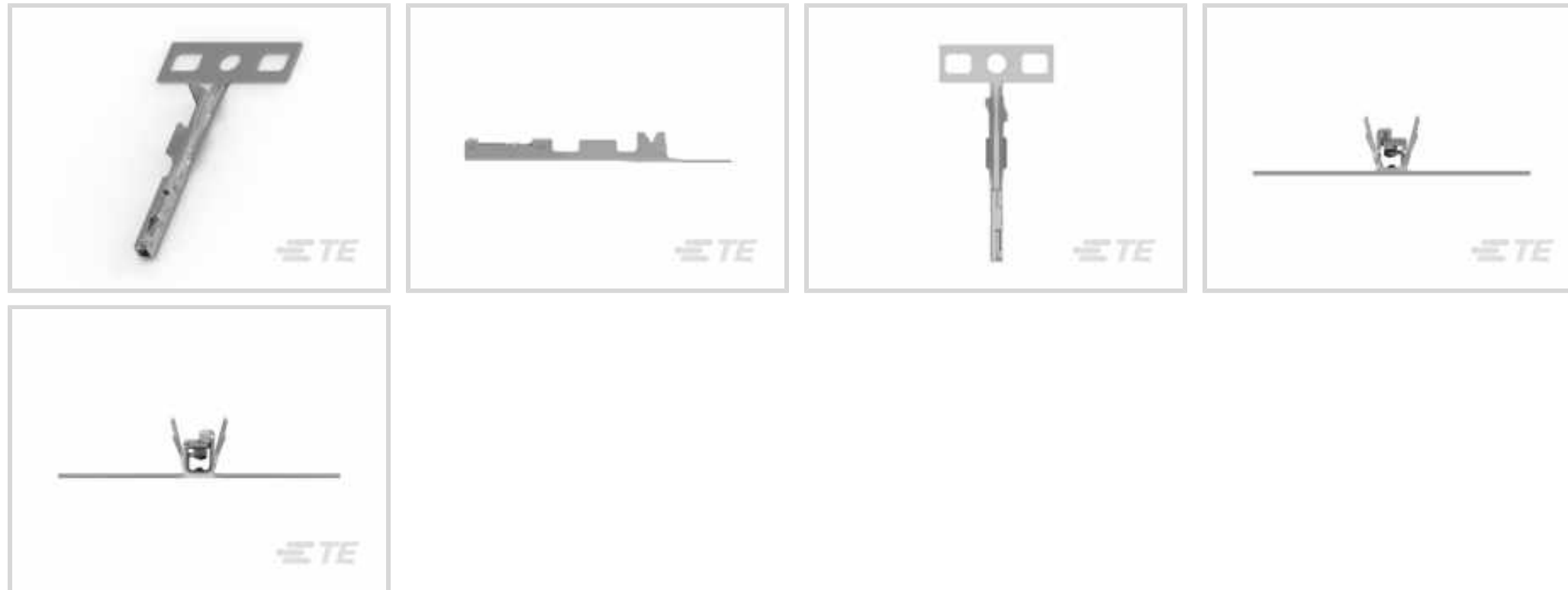
0.50 Connector System, Automotive Terminals, Receptacle, Mating

Tab Width .5 mm [.02 in], Tab Thickness .016 in [.4 mm], 22 – 20

AWG Wire Size

[View on TE.com >](#)

Terminals & Splices > Automotive Terminals



Terminal Type: **Receptacle**

Mating Tab Width: .5 mm [.02 in]

Mating Tab Thickness: .4 mm [.016 in]

Terminal Transmits: 0 – 24 A (Low Power)

Wire Size: 22 – 20 AWG

Features

Product Type Features

Sealable	No
Primary Locking Feature	Clean Body

Contact Features

Crimp Type	F-Crimp
Terminal Type	Receptacle
Mating Tab Width	.5 mm [.02 in]
Mating Tab Thickness	.4 mm [.016 in]
Interface Plating	Tin (Sn)

Termination Features

Termination Method to Wire & Cable	Crimp
Product Terminates To	Wire

Dimensions

Wire Size	.35 – .5 mm ²
Wire Size Search	20 AWG, 21 AWG, 22 AWG



Wire Insulation Diameter	1.1 – 1.4 mm [.043 – .055 in]
--------------------------	-------------------------------

Usage Conditions

Insulation Option	Uninsulated
Operating Temperature (Max)	80 °C, 85 °C, 90 °C [176 °F][185 °F][194 °F]
Operating Temperature Range	-30 – 90 °C [-22 – 194 °F]

Operation/Application

Compatible With Wire Base Material	Copper
------------------------------------	--------

Packaging Features

Packaging Method	Reel
Packaging Quantity	10000

Other

Terminal Transmits	0 – 24 A (Low Power)
--------------------	----------------------

Product Compliance

[For compliance documentation, visit the product page on TE.com>](#)

EU RoHS Directive 2011/65/EU	Compliant
EU ELV Directive 2000/53/EC	Compliant
China RoHS 2 Directive MIIT Order No 32, 2016	No Restricted Materials Above Threshold
EU REACH Regulation (EC) No. 1907/2006	Current ECHA Candidate List: JAN 2022 (223) Candidate List Declared Against: JAN 2022 (223) Does not contain REACH SVHC
Halogen Content	Low Halogen - Br, Cl, F, I < 900 ppm per homogenous material. Also BFR/CFR/PVC Free
Solder Process Capability	Not reviewed for solder process capability

Product Compliance Disclaimer

This information is provided based on reasonable inquiry of our suppliers and represents our current actual knowledge based on the information they provided. This information is subject to change. The part numbers that TE has identified as EU RoHS compliant have a maximum concentration of 0.1% by weight in homogenous materials for lead, hexavalent chromium, mercury, PBB, PBDE, DBP, BBP, DEHP, DIBP, and 0.01% for cadmium, or qualify for an exemption to these limits as defined in the Annexes of Directive 2011/65/EU (RoHS2). Finished electrical and electronic equipment products will be CE marked as required by Directive 2011/65/EU. Components may not be CE marked. Additionally, the part numbers that TE has identified as EU ELV compliant have a maximum concentration of 0.1% by weight in homogenous materials for lead, hexavalent chromium, and mercury, and 0.01% for cadmium, or qualify for an exemption to these limits as defined in the Annexes of Directive 2000/53/EC (ELV). Regarding the REACH Regulation, the information TE provides

on SVHC in articles for this part number is based on the latest European Chemicals Agency (ECHA) 'Guidance on requirements for substances in articles' posted at this URL: <https://echa.europa.eu/guidance-documents/guidance-on-reach>

Compatible Parts



TE Part # 2305570-1
TERMINAL CUTTER, SIDE FEED



TE Part # CAT-A12-CH8172
0.50 CONNECTOR SYSTEM,
CONNECTOR HOUSING



TE Part # CAT-HPCH5372
HIGH PIN COUNT HEADER



TE Part # 1939440-1
0.5 30POS CAP ASSY DIP SCREW



TE Part # 1554289-1
0.50 CONN 40P PLUG ASSY KEYING
TYPE2



TE Part # 2-2266212-1
OCEAN_2.0_Applicator-S-046F055O



TE Part # 2-2266212-2
OCEAN_2.0_Applicator-S-046F055OA



TE Part # 2013031-2
0.50 SERIES 24POS PLUG ASSY



TE Part # 2266212-1
OCEAN_2.0_Applicator-S-046F055O



TE Part # 2266212-2
OCEAN_2.0_Applicator-S-046F055OA



TE Part # 7-2266212-1
OCEAN_2.0_Applicator-S-046F055O



TE Part # 7-2266212-2
OCEAN_2.0_Applicator-S-046F055OA



KIT
REPRESENTATION ONLY

TE Part # 7-2266212-7
OCEAN_2.0_SPARE_PART_KIT-
046F055O

Also in the Series | **0.50 Connector System**



Automotive Housings(28)



Automotive Seals & Cavity Plugs(2)



Automotive Terminals(8)

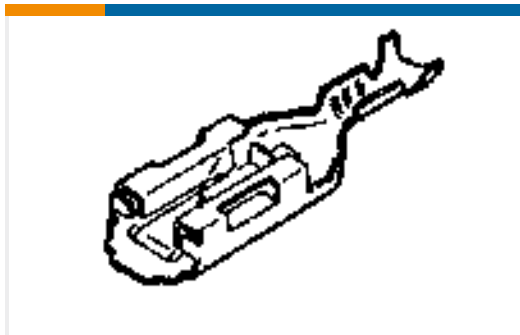


Insertion & Extraction Tools(1)

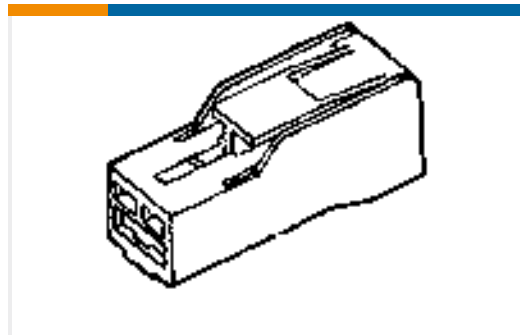


PCB Headers & Receptacles(15)

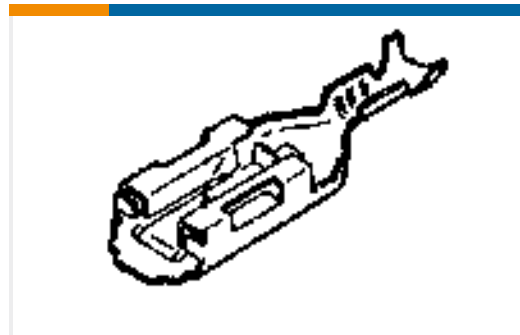
Customers Also Bought



TE Part #170454-1
PL 250 AUTOMOTIVE REC 18-14 0.40 X 21 BR



TE Part #172320-2
POSITIVE LOCK 250 (6.3 MM) HOUSING



TE Part #170454-2
PL 250 AM REC 18-14 0.40 X 21 PRE-TPBR



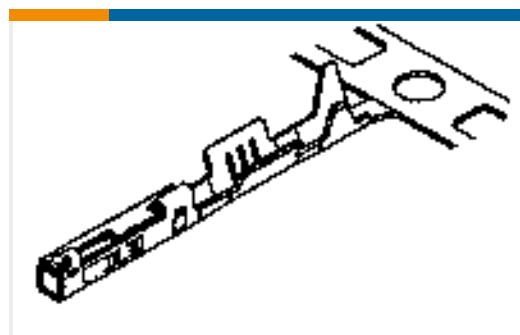
TE Part #170181-2
205 FASTON,REC.,22-18 AWG,BR



TE Part #1473672-2
TH/.025 CONNECTOR SYSTEM, HOUSING



TE Part #1612122-1
SQUIB LOCKING BUTTON



TE Part #1827855-1
0.50 SERIES CONNECTER RECEPTACLE CONTACT

Documents

[CAD Files](#)

[3D PDF](#)

[3D](#)

[Customer View Model](#)

[ENG_CVM_CVM_1827855-2_B.2d_dxf.zip](#)

English

[Customer View Model](#)

[ENG_CVM_CVM_1827855-2_B.3d_igs.zip](#)



English

Customer View Model

[ENG_CVM_CVM_1827855-2_B.3d_stp.zip](#)

English

By downloading the CAD file I accept and agree to the [Terms and Conditions](#) of use.

Product Specifications

Application Specification

English

Application Specification

Japanese

Product Environmental Compliance

Product Compliance

English

Product Compliance

English

Instruction Sheets

0.50/1.5 HYBRID SERIES UNSEALED CONNECTOR (SMT-TYPE)

English

Instruction Sheet (U.S.)

English