

182207-2 ✓ ACTIVE

AMPMODU | AMPMODU IV/V

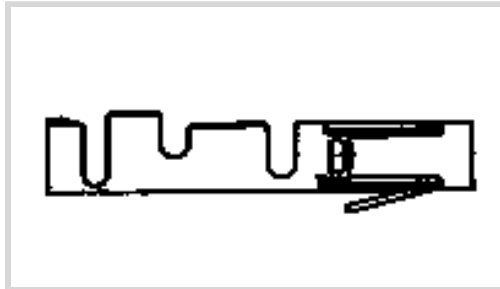
TE Internal #: 182207-2

Connector Contact, Socket, Wire-to-Board, 30 – 28 AWG Wire Size,
100.5 – 159.8 CMA Wire Size, .05 – .09 mm² Wire Size, Tin, Loose
Piece, AMPMODU IV/V

[View on TE.com >](#)



Connectors > PCB Connectors > Wire-to-Board Connectors > Wire-to-Board Connector Contacts



Contact Type: **Socket**

Connector System: **Wire-to-Board**

Wire Size: **.05 – .09 mm²**

Features

Product Type Features

Applied Pressure	Standard
Connector System	Wire-to-Board
Connector & Contact Terminates To	Wire & Cable

Configuration Features

Compatible With Wire & Cable Type	Discrete Wire
-----------------------------------	---------------

Contact Features

Mating Square Post Dimension	.64 mm[.025 in]
Wire Contact Termination Area Plating Thickness	.8 μm
Wire Contact Termination Area Plating Material	Tin
Contact Mating Area Plating Material Thickness	.8 μm
Contact Base Material	Phosphor Bronze
Contact Type	Socket
Contact Mating Area Plating Material	Tin
Contact Current Rating (Max)	3 A

Termination Features

Termination Method to Wire & Cable	Crimp
------------------------------------	-------

Mechanical Attachment

Wire Insulation Support	With
Connector Mounting Type	Cable Mount (Free-Hanging)



Dimensions

Accepts Wire Insulation Diameter Range	.64 – 1.27 mm [.025 – .05 in]
Wire Size	.05 – .09 mm ²

Usage Conditions

Operating Temperature Range	-40 – 80 °C [-40 – 176 °F]
-----------------------------	----------------------------

Operation/Application

Circuit Application	Signal
---------------------	--------

Packaging Features

Packaging Quantity	2000
Packaging Method	Loose Piece

Product Compliance

[For compliance documentation, visit the product page on TE.com>](#)

EU RoHS Directive 2011/65/EU	Compliant
EU ELV Directive 2000/53/EC	Compliant
China RoHS 2 Directive MIIT Order No 32, 2016	No Restricted Materials Above Threshold
EU REACH Regulation (EC) No. 1907/2006	Current ECHA Candidate List: JUNE 2022 (224) Candidate List Declared Against: JUNE 2022 (224) Does not contain REACH SVHC
Halogen Content	Low Halogen - Br, Cl, F, I < 900 ppm per homogenous material. Also BFR/CFR/PVC Free
Solder Process Capability	Not applicable for solder process capability

Product Compliance Disclaimer

This information is provided based on reasonable inquiry of our suppliers and represents our current actual knowledge based on the information they provided. This information is subject to change. The part numbers that TE has identified as EU RoHS compliant have a maximum concentration of 0.1% by weight in homogenous materials for lead, hexavalent chromium, mercury, PBB, PBDE, DBP, BBP, DEHP, DIBP, and 0.01% for cadmium, or qualify for an exemption to these limits as defined in the Annexes of Directive 2011/65/EU (RoHS2). Finished electrical and electronic equipment products will be CE marked as required by Directive 2011/65/EU. Components may not be CE marked. Additionally, the part numbers that TE has identified as EU ELV compliant have a maximum concentration of 0.1% by weight in homogenous materials for lead, hexavalent chromium, and mercury, and 0.01% for cadmium, or qualify for an exemption to these limits as defined in the Annexes of Directive 2000/53/EC (ELV). Regarding the REACH Regulation, the information TE provides on SVHC in articles for this part number is based on the latest European Chemicals Agency (ECHA) 'Guidance on requirements for substances in articles' posted at this URL: <https://echa.europa.eu/guidance-documents/guidance-on-reach>

Compatible Parts



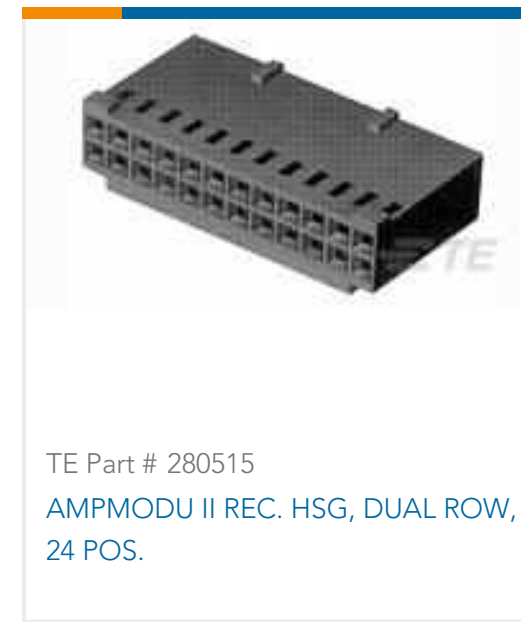
TE Part # 280514
AMPMODU II REC. HSG, SINGLE ROW, 12 POS.



TE Part # 280366
AMPMODU II REC. HSG DUAL ROW, 16 POS.



TE Part # 280365
AMPMODU, DBL ROW, CONTACT REC



TE Part # 280515
AMPMODU II REC. HSG, DUAL ROW, 24 POS.



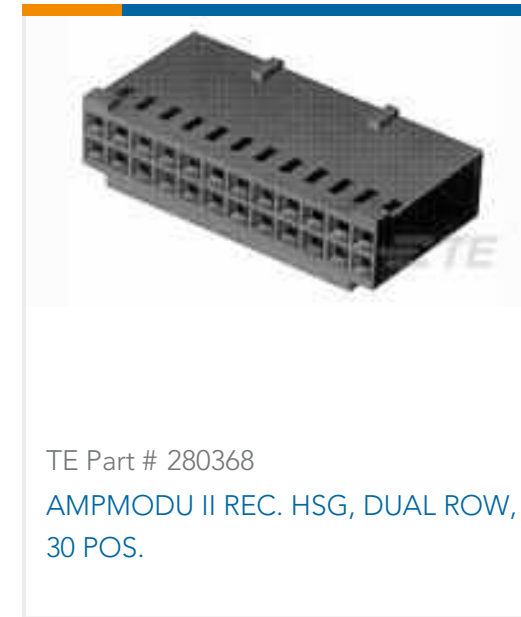
TE Part # 280360
AMPMODU II REC. HSG, SINGLE ROW 6 POS



TE Part # 280513
AMPMODU II REC. HSG, DUAL ROW, 18 POS



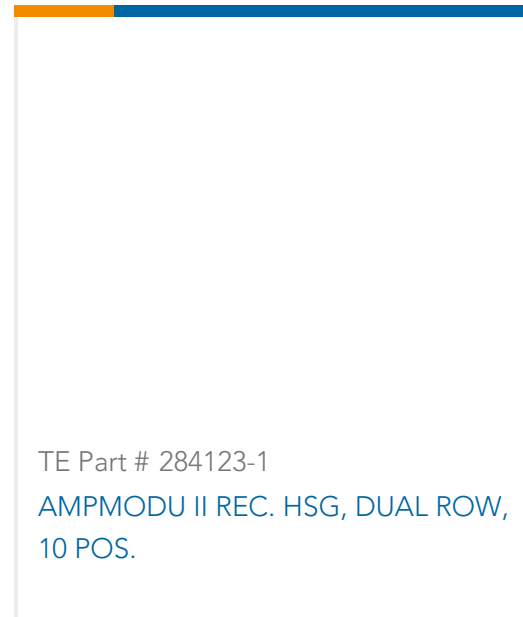
TE Part # 280359
AMPMODU II REC. HSG, SINGLE ROW, 4 POS.



TE Part # 280368
AMPMODU II REC. HSG, DUAL ROW, 30 POS.



TE Part # 280363
AMPMODU II REC. HSG, SINGLE ROW, 15 POS.



TE Part # 284123-1
AMPMODU II REC. HSG, DUAL ROW, 10 POS.



TE Part # 58654-1
PRO-CRIMP TL & DIE MOD II



TE Part # 280362
AMPMODU II REC. HSG, SINGLE ROW, 10 POS.



TE Part # 280358
AMPMODU II REC. HSG, SINGLE ROW 2 POS



TE Part # 280512
AMPMODU II REC. HSG, SINGLE ROW, 9 POS.



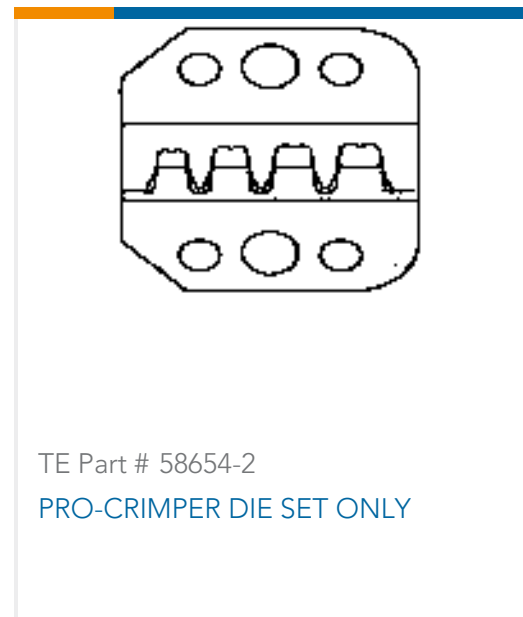
TE Part # 281018
AMPMODU II REC. HSG, DUAL ROW, 36 POS.



TE Part # 280361
AMPMODU II REC. HSG, SINGLE ROW 8 POS



TE Part # 280364
AMPMODU II COSI REC. HSG, SGL ROW, 22POS



TE Part # 58654-2
PRO-CRIMPER DIE SET ONLY



TE Part # 280369
AMPMODU II REC. HSG, DUAL ROW, 44 POS.

Also in the Series | **AMPMODU IV/V**



Automotive Housings(2)



Backplane Connector Housings(1)



Board-to-Board Connector Contacts(6)



Insertion & Extraction Tools(4)



PCB Connector Covers(18)



PCB Connector Keying(6)



PCB Connector Mounting(1)



PCB Connector Strain Relief(3)



PCB Headers & Receptacles(939)



PCB Latches, Locks & Retainers(9)



Rectangular Connector Housings(5)



Standard Rectangular Connectors(8)

Wire-to-Board Connector Assemblies
& Housings(467)Wire-to-Board Connector Contacts
(326)

Documents

Product Drawings

AMP MODU II RCPT CONT COSI LP

English

Product Specifications

Application Specification

English