

## Feed-through header - PTSM 0,5/ 4-HHI0-2,5-SMD WHR44 - 1815219

Please be informed that the data shown in this PDF Document is generated from our Online Catalog. Please find the complete data in the user's documentation. Our General Terms of Use for Downloads are valid (<http://phoenixcontact.com/download>)

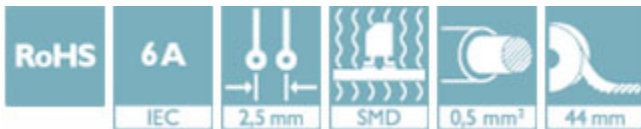


PCB headers, nominal current: 6 A, number of positions: 4, pitch: 2.5 mm, color: white, contact surface: Tin, mounting: SMD soldering


The figure shows a 3-position version

### Your advantages

- ✓ White design: Stable color when welding and during use
- ✓ Designed for integration into the SMT soldering process
- ✓ Supplied in tape-on-reel packing according to IEC 60286-3 for automated mounting
- ✓ Inverted header with socket contacts for touch-proof device outputs or PCB/PCB connections
- ✓ Additional solder anchors reduce the mechanical strain on the soldering spots



### Key Commercial Data

Packing unit	1 pc
Minimum order quantity	500 pc
GTIN	 4 046356 761420
GTIN	4046356761420
Weight per Piece (excluding packing)	2.280 g
Custom tariff number	85366930
Country of origin	Germany

### Technical data

#### Dimensions

Length [ l ]	14 mm
Width	14.8 mm
Pitch	2.5 mm

# Feed-through header - PTSM 0,5/ 4-HHI0-2,5-SMD WHR44 - 1815219

## Technical data

### Dimensions

Dimension a	7.5 mm
Width [ w ]	14.8 mm
Height [ h ]	5 mm
Height	5 mm
Length	14 mm

### General

Range of articles	PTSM 0,5/..-HHI-SMD WH
Insulating material group	I
Rated surge voltage (III/3)	2.5 kV
Rated surge voltage (III/2)	2.5 kV
Rated surge voltage (II/2)	2.5 kV
Rated voltage (III/3)	160 V
Rated voltage (III/2)	160 V
Rated voltage (II/2)	320 V
Nominal current $I_N$	6 A
Maximum load current	6 A
Insulating material	PA
Flammability rating according to UL 94	V0
Color	white
Number of positions	4

### Standards and Regulations

Connection in acc. with standard	UL
Flammability rating according to UL 94	V0

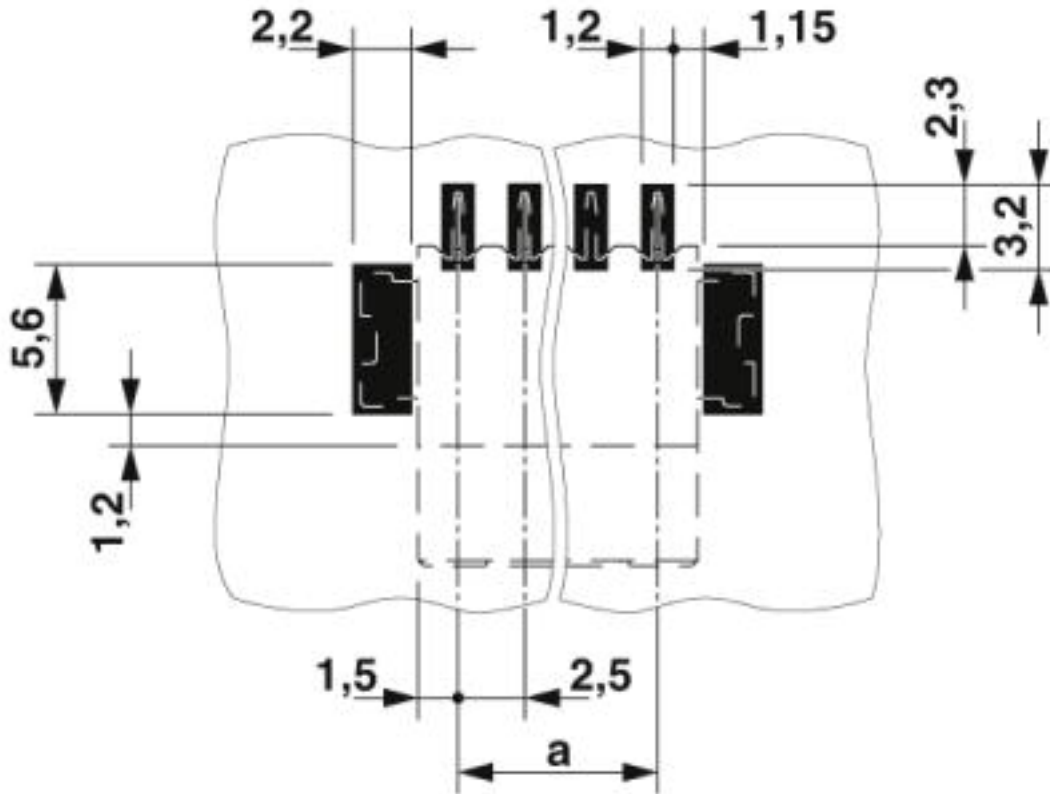
### Environmental Product Compliance

China RoHS	Environmentally friendly use period: unlimited = EFUP-e
	No hazardous substances above threshold values

## Drawings

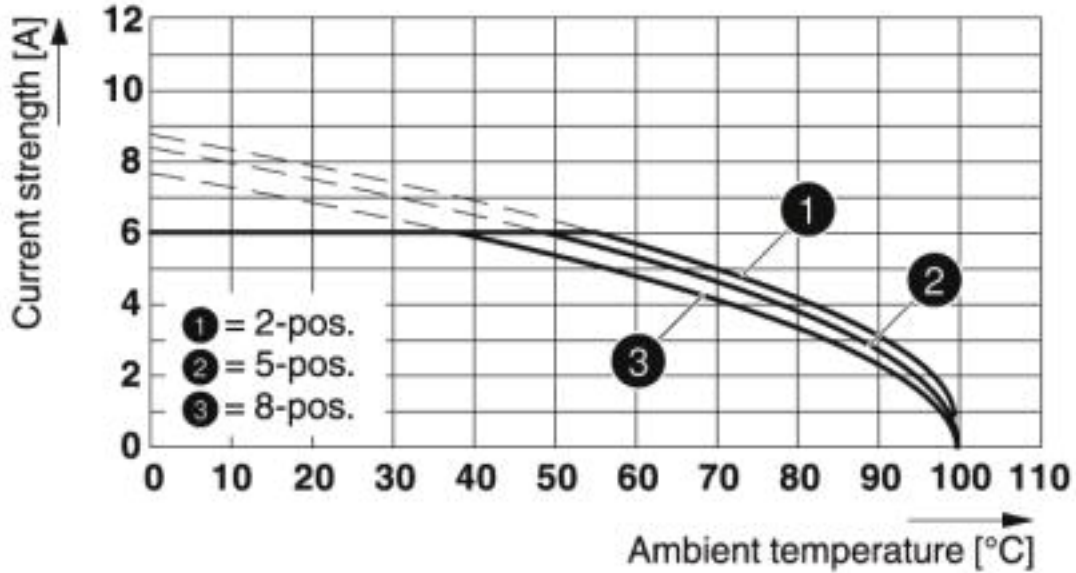
# Feed-through header - PTSM 0,5/ 4-HHI0-2,5-SMD WHR44 - 1815219

Drilling diagram



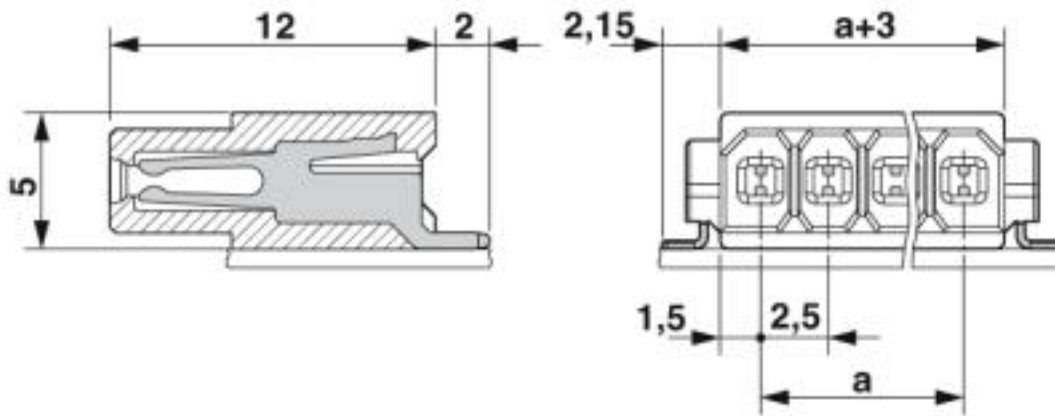
# Feed-through header - PTSM 0,5/ 4-HHI0-2,5-SMD WHR44 - 1815219

Diagram



Type: PTSM 0,5/...-PI-2,5 WH with PTSM 0,5/...-HHI0-2,5-SMD WHR...

Dimensional drawing



## Classifications

eCl@ss

eCl@ss 4.0	27260700
eCl@ss 4.1	27260700
eCl@ss 5.0	27260700
eCl@ss 5.1	27260700

# Feed-through header - PTSM 0,5/ 4-HHI0-2,5-SMD WHR44 - 1815219

## Classifications

### eCl@ss

eCl@ss 6.0	27260700
eCl@ss 7.0	27440402
eCl@ss 8.0	27440402
eCl@ss 9.0	27440402

### ETIM

ETIM 3.0	EC001121
ETIM 4.0	EC002643
ETIM 5.0	EC002637
ETIM 6.0	EC002637
ETIM 7.0	EC002637

### UNSPSC

UNSPSC 6.01	30211801
UNSPSC 7.0901	39121432
UNSPSC 11	39121432
UNSPSC 12.01	39121432
UNSPSC 13.2	39121409

## Approvals


### Approvals

#### Approvals

UL Recognized / VDE Zeichengenehmigung / EAC

#### Ex Approvals

### Approval details

UL Recognized		<a href="http://database.ul.com/cgi-bin/XYV/template/LISEXT/1FRAME/index.htm">http://database.ul.com/cgi-bin/XYV/template/LISEXT/1FRAME/index.htm</a>	E118976-20130619
		B	
Nominal voltage UN		150 V	
Nominal current IN		5 A	

# Feed-through header - PTSM 0,5/ 4-HH10-2,5-SMD WHR44 - 1815219

## Approvals

VDE Zeichengenehmigung		<a href="http://www2.vde.com/de/Institut/Online-Service/VDE-gepruefteProdukte/Seiten/Online-Suche.aspx">http://www2.vde.com/de/Institut/Online-Service/VDE-gepruefteProdukte/Seiten/Online-Suche.aspx</a>	40048497
Nominal voltage UN		160 V	
Nominal current IN		6 A	
mm <sup>2</sup> /AWG/kcmil		0.14-.5	

EAC		B.01742
-----	--	---------

## Accessories

### Additional products

Sample set - SAMPLEPTSM 0,5/ 4-HH10-2,5SMDWH - 1820806



PCB headers, nominal current: 6 A, number of positions: 4, pitch: 2.5 mm, color: white, contact surface: Tin, mounting: SMD soldering

Feed-through header - PTSM 0,5/ 4-HH0-2,5-SMD WH R32 - 1814935



PCB headers, nominal current: 6 A, number of positions: 4, pitch: 2.5 mm, color: white, contact surface: Tin, mounting: SMD soldering

Feed-through header - PTSM 0,5/ 4-HV-2,5-SMD WH R44 - 1778719



PCB headers, nominal current: 6 A, number of positions: 4, pitch: 2.5 mm, color: white, contact surface: Tin, mounting: SMD soldering, Article with anti-rotation pin

## Feed-through header - PTSM 0,5/ 4-HHI0-2,5-SMD WHR44 - 1815219

### Accessories

Feed-through header - PTSM 0,5/ 4-HV0-2,5-SMD WH R44 - 1839211



PCB headers, nominal current: 6 A, number of positions: 4, pitch: 2.5 mm, color: white, contact surface: Tin, mounting: SMD soldering

---

Feed-through header - PTSM 0,5/ 4-HTB-2,5-SMD WH R44 - 1830142



PCB headers, nominal current: 6 A, number of positions: 4, pitch: 2.5 mm, color: white, contact surface: Tin, mounting: SMD soldering

---

Feed-through header - PTSM 0,5/ 4-HH-2,5-THR WH R32 - 1814867



PCB headers, nominal current: 6 A, number of positions: 4, pitch: 2.5 mm, color: white, contact surface: Tin, mounting: THR soldering

---

Feed-through header - PTSM 0,5/ 4-HV-2,5-THR WH R32 - 1815280



PCB headers, nominal current: 6 A, number of positions: 4, pitch: 2.5 mm, color: white, contact surface: Tin, mounting: THR soldering

---

Feed-through header - PTSM 0,5/ 4-HH-2,5-SMD WH R32 - 1708007



PCB headers, nominal current: 6 A, number of positions: 4, pitch: 2.5 mm, color: white, contact surface: Tin, mounting: SMD soldering, Article with anti-rotation pin

---

## Feed-through header - PTSM 0,5/ 4-HHI0-2,5-SMD WHR44 - 1815219

### Accessories

Printed-circuit board connector - PTSM 0,5/ 4-PI-2,5 WH - 1709452



PCB connector, nominal current: 6 A, number of positions: 4, pitch: 2.5 mm, connection method: Push-in spring connection, color: white, contact surface: Tin