


ROCKER SWITCHES

PRODUCT NUMBER 1803.6121



TECHNICAL DATA

Product number	1803.6121
Actuator color / printing	
Product family	Rocker switches
Actuation type	direct
Weight	3.000 g
ROHS conform	yes
Switching function	Changeover switch (SPDT)
Material fixed contact	Ag
Number of poles	1 - pole
connections	Solder terminal
Mechanical life endurance	10E4
Rating IEC	10 (4) A 250 V AC 1E4 6 (4) A 250 V AC 5E4
Rating North America	10 A 125 V AC 1/3 HP 10 A 250 V AC 1/2 HP
Contact resistance (new condition)	< 100 (1 A 12 V DC) mOhm
Insulation resistance (new condition)	> 100 (500 V DC) MOhm
Voltage strength at 250 V	→ function insulation / basic insulation 1 500 V → reinforced insulation 3 000 V

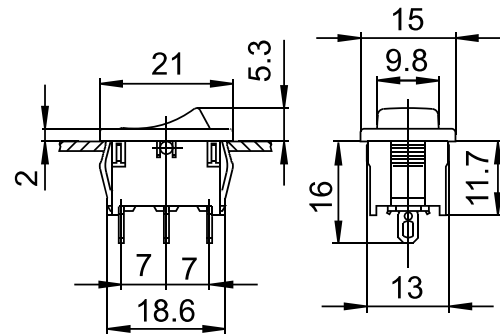
	→ small contact distance	500 V
Proof tracking	250 PTI	
Insulation spacing	acc. to EN 61058 for reinforced or double insulation	
Protection type	→ Connection	IP 40
	→ Actuator	IP 40
Ambient temperature	→ connection side	-20 °C ... +100 °C
Ambient temperature	→ Actuation side min.	-20 °C ... +55 °C
Storage temperature	-40 °C ... +80 °C	
Flammability	UL 94 V-2	
Glow wire test temperature	850 °C	
Actuators and additional actuators	rocker: PA, black	
Housing description	housing: PA, black	
Connection surface	→ bearing connection	silver plated
	→ external connection	silver plated
Contact material	Ag	
Contact distance	≥ 3 mm	
Rating Code UL	R 50	
Contact type	lifting contact	
Plug force of the terminals	≤ 80 N	
Approval marks	CSA / UL / ENEC 05	
Suitable for appliances of protection class	II	
Additional labeling	site, year, week of manuf. acc. to DIN EN 60062	
Type of fastening	Snap fastening	
Degree of pollution	3	
Stock version	●	

PRODUCT IMAGE



(Similar to original product)

DRAWINGS



	X	Y	Z
0.75 ... 1.25	19.2 -0.1	12.9 +0.1	
1.25 ... 2	19.4 -0.1	12.9 +0.1	
2 ... 3	19.8 -0.1	12.9 +0.1	

X = wall thickness

Technical changes reserved. Dimensions are not binding.
Detailed specifications available on request.

Marquardt GmbH · Schloss-Straße 16 · 78604 Rietheim-Weilheim · Germany
Phone: +49 (0) 7424 / 99-0 · Fax: +49 (0) 7424 / 99-2399 · www.marquardt.com · marquardt@marquardt.de