

1801422-3 ✓ ACTIVE

NG Power Terminals and Connectors, NG1

TE Internal #: 1801422-3

Housing for Female Terminals, Wire-to-Wire, 2 Position, .331 in [8.4 mm] Centerline, White, Wire & Cable, Power, Cable Mount (Free-Hanging), Hybrid

[View on TE.com >](#)



Connectors > Automotive Connectors > Automotive Housings



Connector & Housing Type: **Housing for Female Terminals**

Mating Tab Width: **8 mm [.314 in]**

Connector System: **Wire-to-Wire**

Number of Positions: **2**

Centerline (Pitch): **8.4 mm [.331 in]**

Features

Product Type Features

Connector Shape	Rectangular
Connector & Housing Type	Housing for Female Terminals
Connector System	Wire-to-Wire
Sealable	No
Hybrid Connector	No
Primary Locking Feature	On the Terminal
Connector & Contact Terminates To	Wire & Cable

Configuration Features

Number of Positions	2
Number of Rows	1

Electrical Characteristics

Operating Voltage	16 VDC
Nominal Voltage Architecture	16 V

Body Features

Cable Exit Angle	180°
Primary Product Color	White
Connector & Keying Code	Neutral

Contact Features



Contact Size	8mm
Contact Type	Receptacle
Mating Tab Width	8 mm[.314 in]

Mechanical Attachment

Terminal Position Assurance	Yes
Strain Relief	Without
Mating Alignment Type	Keyed
Mating Alignment	With
Connector Mounting Type	Cable Mount (Free-Hanging)

Housing Features

Housing Material	PBT GF
Centerline (Pitch)	8.4 mm[.331 in]

Dimensions

Connector Height	27.4 mm[1.079 in]
Product Width	43.6 mm[1.717 in]
Product Length	28 mm[1.102 in]

Usage Conditions

Operating Temperature (Max)	85 °C[185 °F]
Operating Temperature Range	-40 – 85 °C[-40 – 185 °F]

Operation/Application

Circuit Application	Power
---------------------	-------

Packaging Features

Packaging Quantity	684
Packaging Method	Box & Carton

Other

Serviceable	Yes
Connector Position Assurance Capable	Yes

Product Compliance

For compliance documentation, visit the product page on [TE.com](#)>

EU RoHS Directive 2011/65/EU	Compliant
EU ELV Directive 2000/53/EC	Compliant










China RoHS 2 Directive MIIT Order No 32, 2016	No Restricted Materials Above Threshold
EU REACH Regulation (EC) No. 1907/2006	Current ECHA Candidate List: JUNE 2022 (224) Candidate List Declared Against: JAN 2022 (223) Does not contain REACH SVHC
Halogen Content	Low Halogen - Br, Cl, F, I < 900 ppm per homogenous material. Also BFR/CFR/PVC Free
Solder Process Capability	Not applicable for solder process capability

Product Compliance Disclaimer

This information is provided based on reasonable inquiry of our suppliers and represents our current actual knowledge based on the information they provided. This information is subject to change. The part numbers that TE has identified as EU RoHS compliant have a maximum concentration of 0.1% by weight in homogenous materials for lead, hexavalent chromium, mercury, PBB, PBDE, DBP, BBP, DEHP, DIBP, and 0.01% for cadmium, or qualify for an exemption to these limits as defined in the Annexes of Directive 2011/65/EU (RoHS2). Finished electrical and electronic equipment products will be CE marked as required by Directive 2011/65/EU. Components may not be CE marked. Additionally, the part numbers that TE has identified as EU ELV compliant have a maximum concentration of 0.1% by weight in homogenous materials for lead, hexavalent chromium, and mercury, and 0.01% for cadmium, or qualify for an exemption to these limits as defined in the Annexes of Directive 2000/53/EC (ELV). Regarding the REACH Regulation, the information TE provides on SVHC in articles for this part number is based on the latest European Chemicals Agency (ECHA) 'Guidance on requirements for substances in articles' posted at this URL: <https://echa.europa.eu/guidance-documents/guidance-on-reach>

Compatible Parts

 <p>TE Part # 1544964-1 8MM NG1+ TERMINAL</p>	 <p>TE Part # 1544965-1 8MM NG1+ TERMINAL</p>	 <p>TE Part # 1-1579018-6 EXTRACTION TOOL</p>	 <p>TE Part # 1544966-1 8MM NG1+ TERMINAL</p>
 <p>TE Part # 1544966-2 8MM NG1+ TERMINAL</p>	 <p>TE Part # 1544969-1 TAB, 8MM NG1 PLUS</p>	 <p>TE Part # 1544969-2 TAB, 8MM NG1 PLUS</p>	

Also in the Series | **NG Power Terminals and Connectors**



Automotive Connector Caps & Covers (2)



Automotive Housings(56)



Automotive Seals & Cavity Plugs(7)



Automotive Terminals(26)



Insertion & Extraction Tools(13)

Also in the Series | NG1



Automotive Connector Caps & Covers (2)



Automotive Housings(47)



Automotive Seals & Cavity Plugs(8)

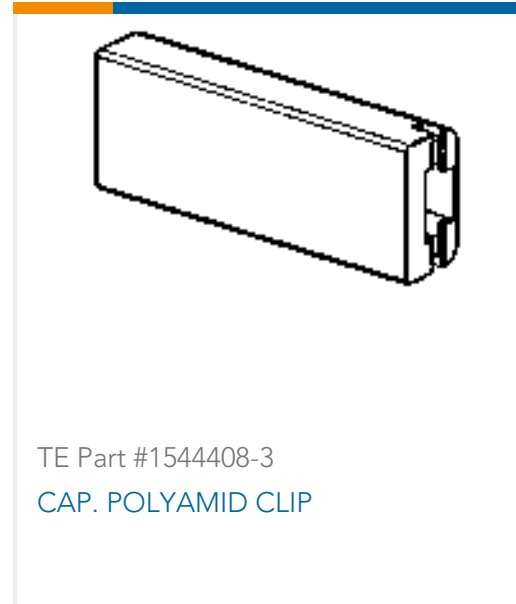
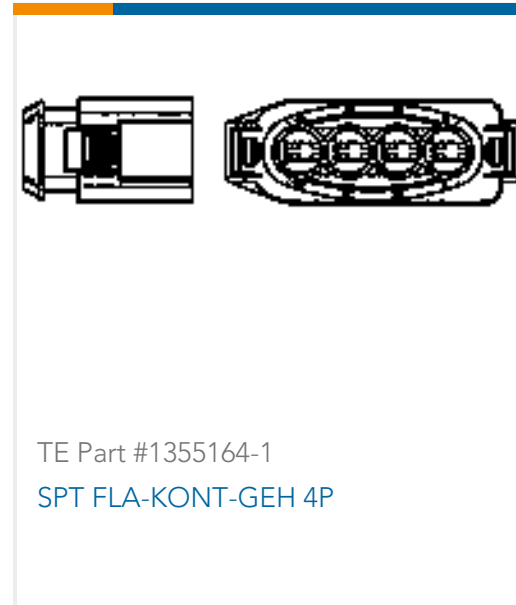


Automotive Terminals(18)



Insertion & Extraction Tools(12)

Customers Also Bought



Documents

Product Drawings

RECEPT HOUSING ASSY, 8MM, 2 W

English

CAD Files

Customer View Model

[ENG_CVM_CVM_1801422-3_B.2d_dxf.zip](#)

English

3D PDF

3D

Customer View Model

[ENG_CVM_CVM_1801422-3_B.3d_igs.zip](#)

English

Customer View Model

[ENG_CVM_CVM_1801422-3_B.3d_stp.zip](#)

English

By downloading the CAD file I accept and agree to the [Terms and Conditions](#) of use.

Product Specifications

Product Specification

English

Instruction Sheets

Instruction Sheet (non U.S.)

French

Instruction Sheet (non U.S.)

English

1801422-3

Housing for Female Terminals, Wire-to-Wire, 2 Position, .331 in [8.4 mm] Centerline,
White, Wire & Cable, Power, Cable Mount (Free-Hanging), Hybrid

